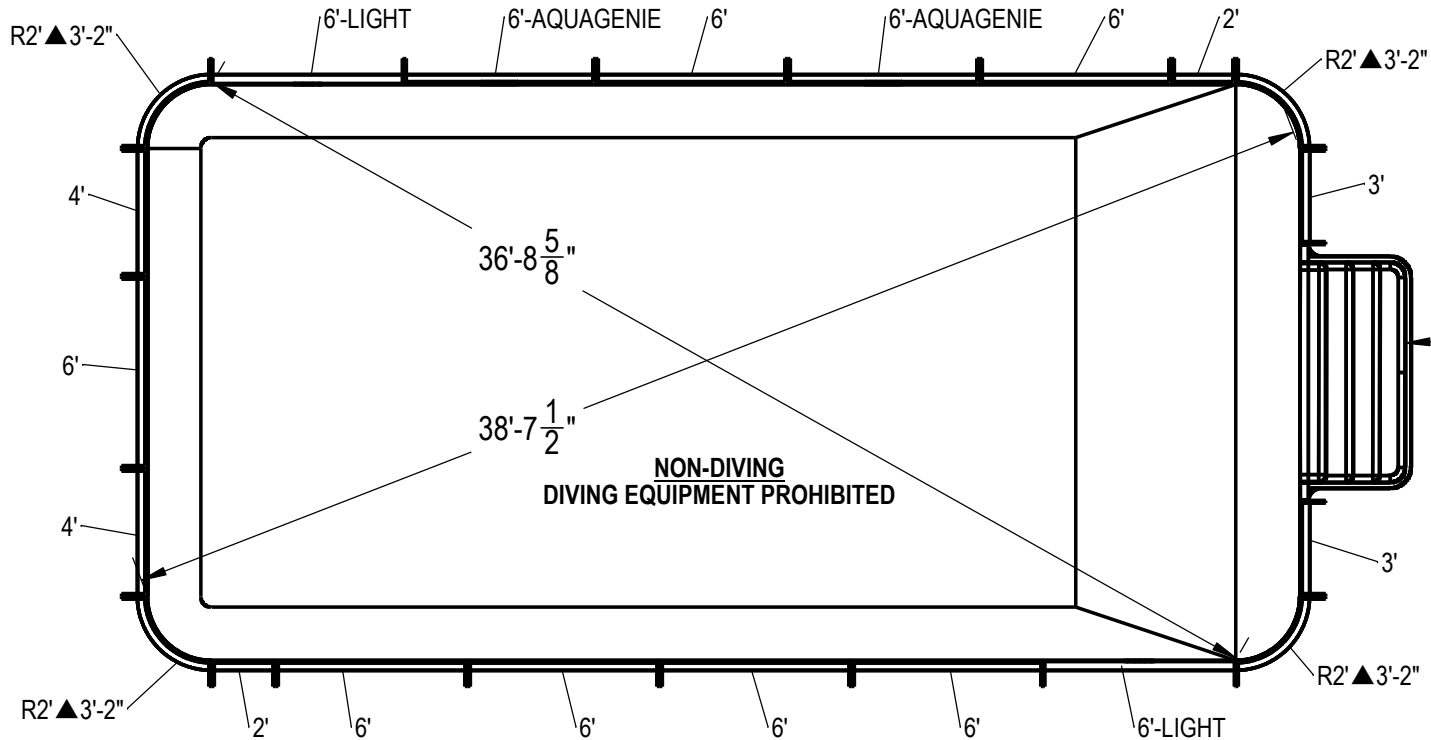


REVISION HISTORY				
REV.	DESCRIPTION	DATE	ECO	BY



NOTES:

- THESE ARE FINISHED DIMENSIONS READY FOR THE LINER.
- DIMENSIONS ARE FROM INSIDE POOL PANELS.
- ROPE AND FLOAT ASSEMBLY SHOULD BE INSTALLED IN ACCORDANCE WITH CURRENT ANSI/ASPS/ICC REGULATIONS
- HYDRA LINER TRACK FOR STEPS IS INSTALLED WITH THE BARB FACING THE RISER WALL ON THE STEP.

EXCAVATION NOTES:

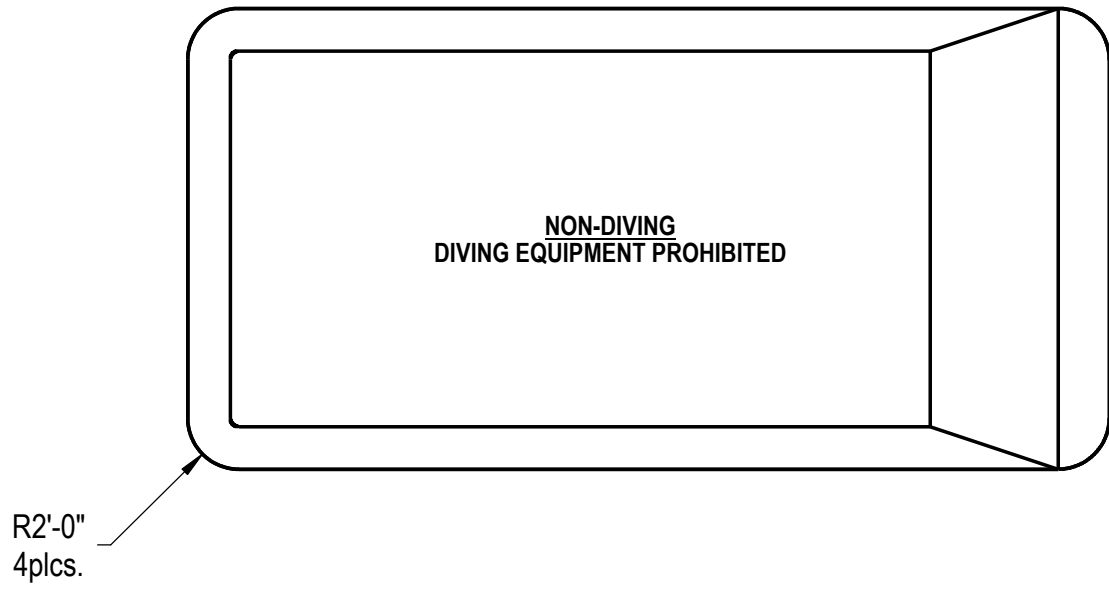
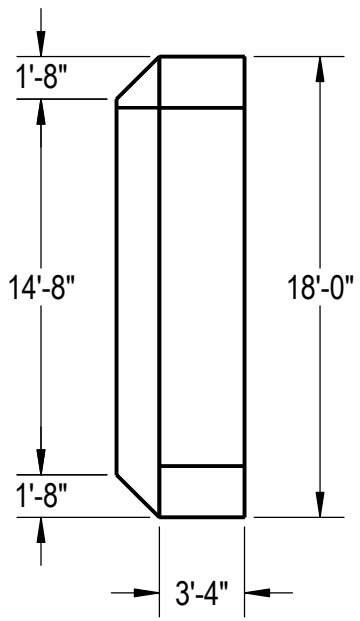
- ROUGH EXCAVATION SHOULD BE 2" DEEPER IN EACH INSTANCE.
- SOIL TO HAVE MINIMUM BEARING CAPACITY OF 1500 PSF.
- LOCATE TOP OF POOL AT LEAST 6" ABOVE THE SURROUNDING LAND ELEVATION.
- SEE "OVER DIG DETAIL" FOR EXCAVATION AROUND POOL.
- FILL VOIDS UNDER BASE OF PANELS AND TAMP WELL.
- BACK FILL WITH NON-EXPANSIVE MATERIAL.
- FOLLOW ALL CURRENT ANSI / ASP / ICC GUIDELINES FOR RESIDENTIAL POOLS

IMPORTANT NOTES:

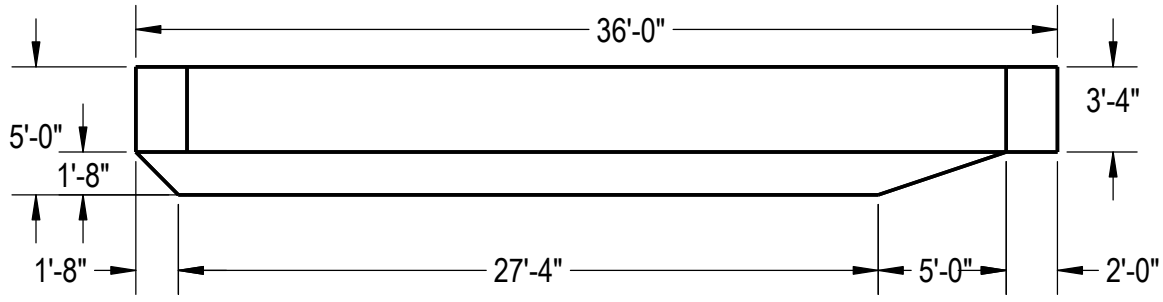
THIS DOCUMENT IS FOR ILLUSTRATIVE PURPOSES ONLY. THE DEALER OR CONTRACTOR WHO SELLS OR INSTALLS YOUR POOL IS AN INDEPENDENT CONTRACTOR AND IS NOT AN AGENT OF THE MANUFACTURER. THE CONSTRUCTION METHODS ILLUSTRATED HERE ARE SUGGESTIONS AND APPLY ONLY TO NORMAL GROUND CONDITIONS. THERE MAY BE ADDITIONAL PRECAUTIONS AND/OR METHODS OF CONSTRUCTION. PROPER INSTALLATION IS THE RESPONSIBILITY OF THE DEALER/BUILDER/CONTRACTOR.

ITEM	FILE NAME	DESCRIPTION	CUSTOMER DRAWING #	VENDOR PART #	QTY.
1	PANEL, 2' RADIUS	PANEL, 2' RADIUS - 200 SERIES	HP252M	HP252M	4
2	PANEL, 6' LONG WITH AQUA GENIE	PANEL, 6' LONG WITH AQUA GENIE - 200 SERIES	HP206A	HP206A	2
3	PANEL, 6' LONG	PANEL, 6' LONG - 200 SERIES	HP206	HP206	7
4	PANEL, 2' LONG	PANEL, 2' LONG - 200 SERIES	HP202	HP202	2
5	PANEL, 6' LONG WITH LIGHT	PANEL, 6' LONG WITH LIGHT - 200 SERIES	HP206L	HP206L	2
6	PANEL, 4' LONG	PANEL, 4' LONG - 200 SERIES	HP204	HP204	2
7	PANEL, 3' LONG	PANEL, 3' LONG - 200 SERIES	HP203	HP203	2
8	HS108N	STEP, 8' LONG, 4 TREAD	HS108N	HS108N	1
9	BRACE	BRACE, 4 TAB, HYDRA - 200 SERIES	HP299	HP299	22
10	00017099	LAYOUT, 18' X 36', RECTANGLE, 2' RADIUS, 5' DEEP, FLAT BOTTOM, HS108N, 2-LIGHT, 2-AQUA GENIE, 200 SERIES	00017099	00017099	1

ENGINEERING DRAWING NUMBER: 00017099	WEIGHT: lbs	UNLESS OTHERWISE SPECIFIED DIMENSIONS ARE IN INCHES TOLERANCES DECIMALS: X ± .1 XX ± .01 XXX ± .001 XXXX ± .0005 ANGULAR: X ± 0.5 THIRD ANGLE PROJECTION 	DESIGNED BY: BUMPHREY	CREATION DATE: 3/21/2013	HYDRA POOLS			
	VOLUME: Inch ³		DETAILED BY: MWILLIAMS	DETAILED DATE: 1/4/2018				
	COLOR:		LAST REVISED BY: Jrittenhouse	LAST REVISED DATE: 10/25/2018	TITLE: LAYOUT, 18' X 36', RECTANGLE, 2' RADIUS, 5' DEEP, FLAT BOTTOM, HS108N, 2-LIGHT, 2-AQUA GENIE, 200 SERIES			
	HEAT TREAT:		MATERIAL:					
FINISH:	SIZE: A	SHEET: 1 OF 3	SCALE: 1:72	PART NUMBER: 00017099		REV	A	
TEXTURE:								



Area: 644.57ft ^2
Perimeter: 104.57ft
Volume = 22332 US gallons

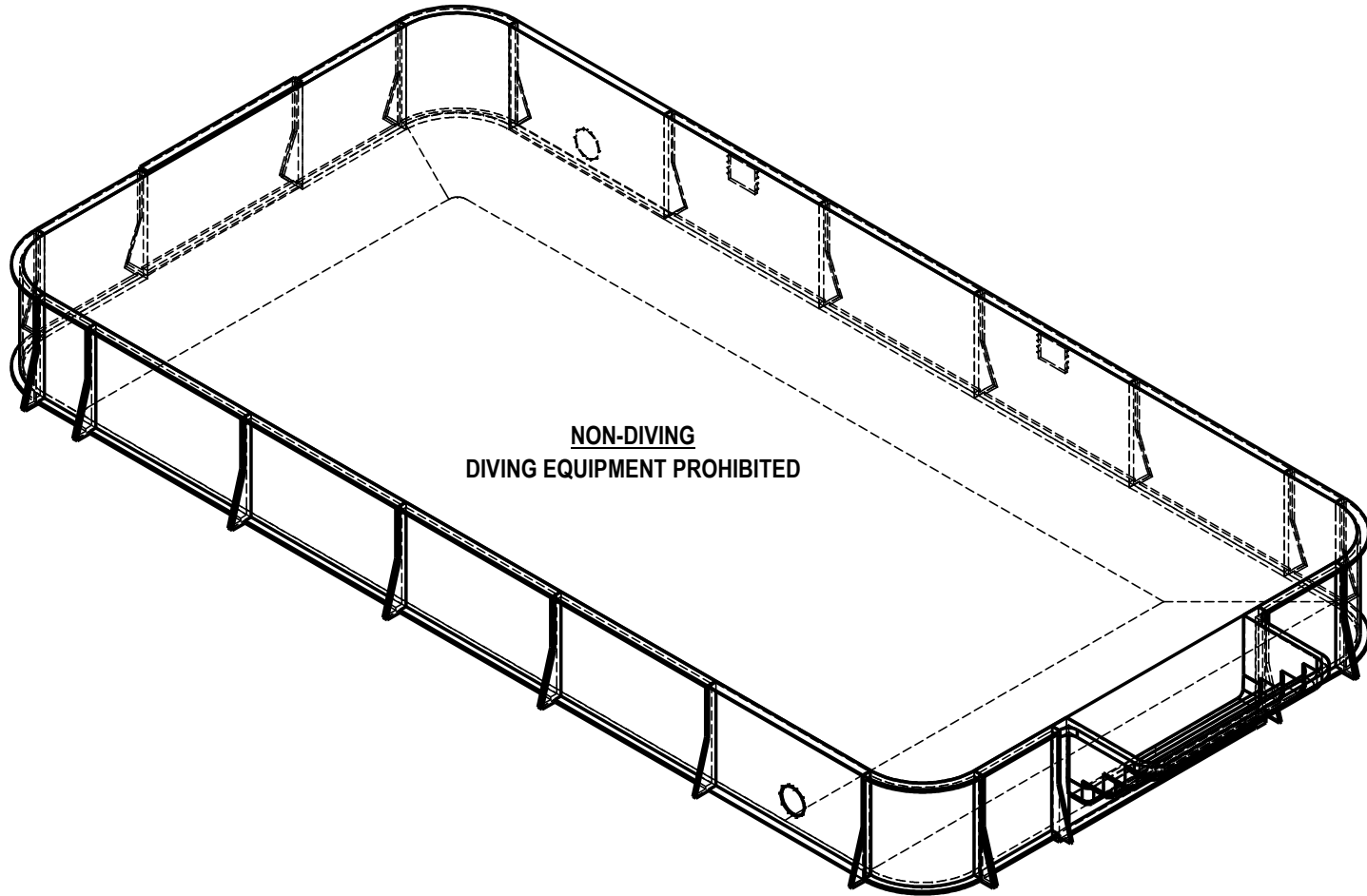


- NOTES:**
- THESE ARE FINISHED DIMENSIONS READY FOR THE LINER.
 - DIMENSIONS ARE FROM INSIDE POOL PANELS.
 - ROPE AND FLOAT ASSEMBLY SHOULD BE INSTALLED IN ACCORDANCE WITH CURRENT ANSI/ASPS/ICC REGULATIONS
 - HYDRA LINER TRACK FOR STEPS IS INSTALLED WITH THE BARB FACING THE RISER WALL ON THE STEP.

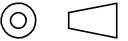
- EXCAVATION NOTES:**
- ROUGH EXCAVATION SHOULD BE 2" DEEPER IN EACH INSTANCE.
 - SOIL TO HAVE MINIMUM BEARING CAPACITY OF 1500 PSF.
 - LOCATE TOP OF POOL AT LEAST 6" ABOVE THE SURROUNDING LAND ELEVATION.
 - SEE "OVER DIG DETAIL" FOR EXCAVATION AROUND POOL.
 - FILL VOIDS UNDER BASE OF PANELS AND TAMP WELL.
 - BACK FILL WITH NON-EXPANSIVE MATERIAL.
 - FOLLOW ALL CURRENT ANSI / AСП / ICC GUIDELINES FOR RESIDENTIAL POOLS

IMPORTANT NOTES:
 THIS DOCUMENT IS FOR ILLUSTRATIVE PURPOSES ONLY. THE DEALER OR CONTRACTOR WHO SELLS OR INSTALLS YOUR POOL IS AN INDEPENDENT CONTRACTOR AND IS NOT AN AGENT OF THE MANUFACTURER. THE CONSTRUCTION METHODS ILLUSTRATED HERE ARE SUGGESTIONS AND APPLY ONLY TO NORMAL GROUND CONDITIONS. THERE MAY BE ADDITIONAL PRECAUTIONS AND/OR METHODS OF CONSTRUCTION. PROPER INSTALLATION IS THE RESPONSIBILITY OF THE DEALER/BUILDER/CONTRACTOR.

ENGINEERING DRAWING NUMBER: 00017099	WEIGHT: lbs	UNLESS OTHERWISE SPECIFIED DIMENSIONS ARE IN INCHES TOLERANCES DECIMALS: X ± .1 XX ± .01 XXX ± .001 XXXX ± .0005 ANGULAR: X ± 0.5 THIRD ANGLE PROJECTION	DESIGNED BY: BUMPHREY	CREATION DATE: 3/18/2013	HYDRA POOLS			
	VOLUME: Inch ³		DETAILED BY: MWILLIAMS	DETAILED DATE: 1/4/2018				
	COLOR: NA		LAST REVISED BY: jrittenhouse	LAST REVISED DATE: 1/4/2018	TITLE: LAYOUT, 18' X 36', RECTANGLE, 2' RADIUS, 5' DEEP, FLAT BOTTOM, HS108N, 2-LIGHT, 2-AQUA GENIE, 200 SERIES			
	HEAT TREAT: NA		MATERIAL:					
FINISH: NA	SIZE: A	SHEET: 2 OF 3	SCALE: 1:128	PART NUMBER: 00017099	REV	A		
TEXTURE: NA								



**NON-DIVING
DIVING EQUIPMENT PROHIBITED**

ENGINEERING DRAWING NUMBER: 00017099	WEIGHT:	UNLESS OTHERWISE SPECIFIED DIMENSIONS ARE IN INCHES TOLERANCES DECIMALS: X ± .1 XX ± .01 XXX ± .001 XXXX ± .0005 ANGULAR: X ± 0.5 THIRD ANGLE PROJECTION 	DESIGNED BY:	CREATION DATE:	HYDRA POOLS		
	lbs		BUMPHREY	3/21/2013			
	VOLUME:		Detailed by:	Detailed Date:	TITLE: LAYOUT, 18' X 36', RECTANGLE, 2' RADIUS, 5' DEEP, FLAT BOTTOM, HS108N, 2-LIGHT, 2-AQUA GENIE, 200 SERIES		
	Inch ³		MWILLIAMS	1/4/2018			
	COLOR:		LAST REVISED BY:	LAST REVISED DATE:			
	HEAT TREAT:		jrittenhouse	10/25/2018			
FINISH:	MATERIAL:	SIZE:	SHEET:	SCALE:	PART NUMBER:	REV	
TEXTURE:		A	3 OF 3	1:60	00017099	A	