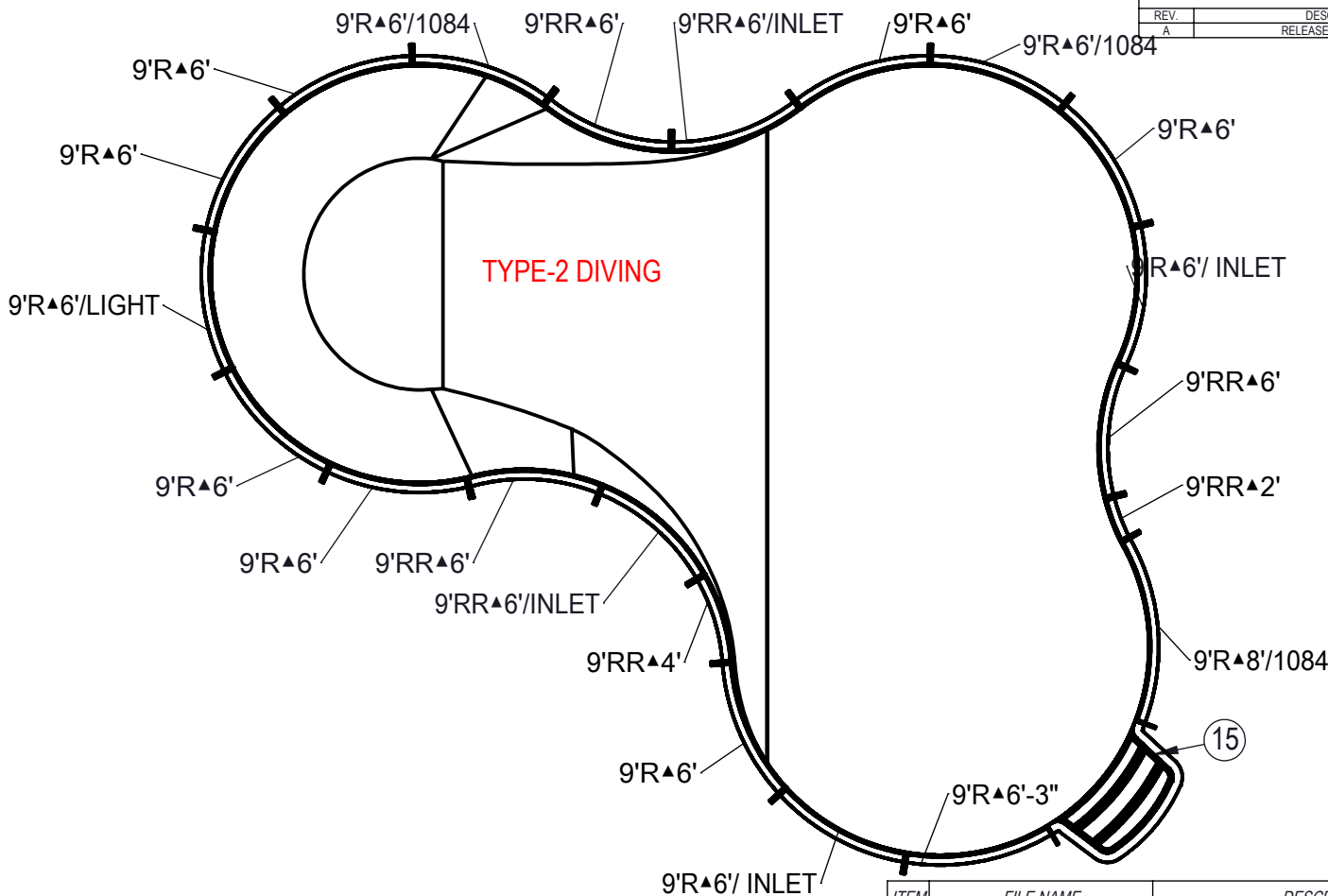


MIRROR NUMBER: 00017675  
CHECK IN DATE/TIME: Thursday, August 09, 2018 5:16:43 PM

REVISION HISTORY			
REV.	DESCRIPTION	DATE	BY
A	RELEASED FOR QUOTE	08/09/18	CWHEELER



**NOTES:**

- THESE ARE FINISHED DIMENSIONS READY FOR THE LINER.
- DIMENSIONS ARE FROM INSIDE POOL PANELS.
- ROPE AND FLOAT ASSEMBLY SHOULD BE INSTALLED IN ACCORDANCE WITH CURRENT ANSI/ASPS/ICC REGULATIONS
- HYDRA LINER TRACK FOR STEPS IS INSTALLED WITH THE BARB FACING THE RISER WALL ON THE STEP.

**EXCAVATION NOTES:**

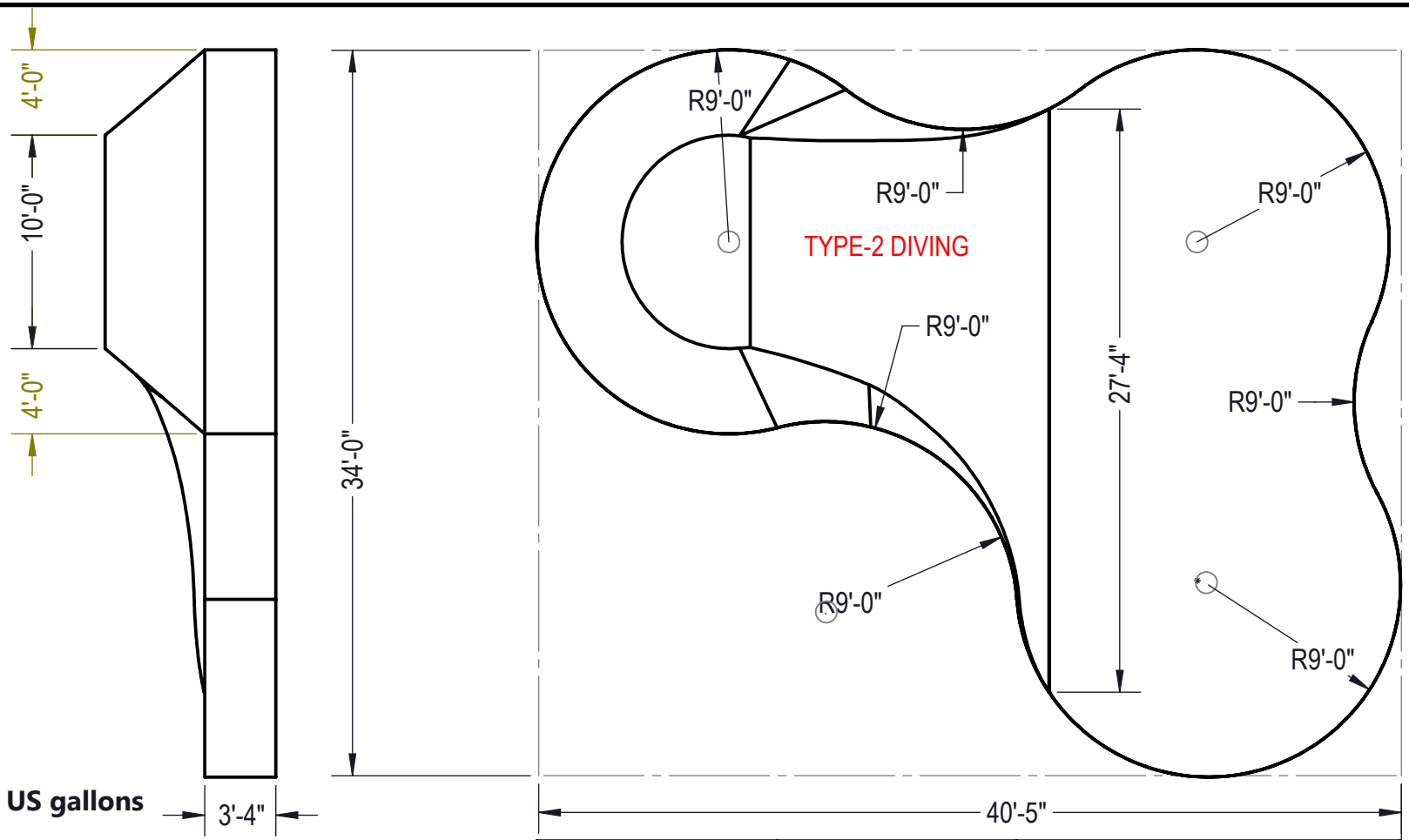
- ROUGH EXCAVATION SHOULD BE 2" DEEPER IN EACH INSTANCE.
- SOIL TO HAVE MINIMUM BEARING CAPACITY OF 1500 PSF.
- LOCATE TOP OF POOL AT LEAST 6" ABOVE THE SURROUNDING LAND ELEVATION.
- SEE "OVER DIG DETAIL" FOR EXCAVATION AROUND POOL.
- FILL VOIDS UNDER BASE OF PANELS AND TAMP WELL.
- BACK FILL WITH NON-EXPANSIVE MATERIAL.
- FOLLOW ALL CURRENT ANSI / APS / ICC GUIDELINES FOR RESIDENTIAL POOLS

**IMPORTANT NOTES:**

THIS DOCUMENT IS FOR ILLUSTRATIVE PURPOSES ONLY. THE DEALER OR CONTRACTOR WHO SELLS OR INSTALLS YOUR POOL IS AN INDEPENDENT CONTRACTOR AND IS NOT AN AGENT OF THE MANUFACTURER. THE CONSTRUCTION METHODS ILLUSTRATED HERE ARE SUGGESTIONS AND APPLY ONLY TO NORMAL GROUND CONDITIONS. THERE MAY BE ADDITIONAL PRECAUTIONS AND/OR METHODS OF CONSTRUCTION. PROPER INSTALLATION IS THE RESPONSIBILITY OF THE DEALER/BUILDER/CONTRACTOR.

ITEM	FILE NAME	DESCRIPTION	CUSTOMER DRAWING #	VENDOR PART #	QTY.
1	00020537	LAYOUT, 18' 40" X 34', LAGOON, LEFT, 8' DEE HS303N, 2-LIGHTS, 3-INLETS, 2-1084, 600 SERIES			1
2	BOLT, PACK	BOLT, FLANGE, 3/8-16 X 1", PACK (50)	HPS1916	HPS1916	9
3	SBRACE	BRACE, FOLD OVER WITH TURNBUCKLE, STEEL, HPSFOB	HPSFOB	HPSFOB	22
4	PANEL, RADIUS	PANEL, 9' RADIUS, 6' LONG, 1084, 600 SERIES	HPS9R684	00005923	2
5	PANEL, RADIUS	PANEL, 9' RADIUS, 6' LONG, 600 SERIES	HPSD9R6	00000355	7
6	PANEL, RADIUS	PANEL, 9' RADIUS, 6' LONG, INLET, 600 SERIES	HPSCR7	00005844	2
7	PANEL, RADIUS	PANEL, 9' RADIUS, 6' LONG, LIGHT, 600 SERIES	HPSD9R6L	00000161	1
8	PANEL, RADIUS	PANEL, 9' RADIUS, 6'-3" LONG, 600 SERIES	HPSCR7	00008905	1
9	PANEL, RADIUS	PANEL, 9' RADIUS, 8' LONG, 1084, 600 SERIES	HPS9R884	00000272	1
10	PANEL, RR	PANEL, 9' REVERSE RADIUS, 2' LONG, 600 SERIES	HPSCR3	00005210	1
11	PANEL, RR	PANEL, 9' REVERSE RADIUS, 4' LONG, 600 SERIES	HPSD9RR4	00000414	1
12	PANEL, RR	PANEL, 9' REVERSE RADIUS, 6' LONG, 600 SERIES	HPSD9RR6	00000393	3
13	PANEL, RR	PANEL, 9' REVERSE RADIUS, 6' LONG, INLET, 600 SERIES	HPSCR7	00012017	2
14	STAKE	STAKE, 14 GA	HPSSTAKE	00003484	22
15	HS303N	STEP, 9' RADIUS, 3 TREAD, CANTILEVER	HS303N	HS303N	1

ENGINEERING DRAWING NUMBER: <b>00020537</b>	WEIGHT:	<b>UNLESS OTHERWISE SPECIFIED</b> DIMENSIONS ARE IN INCHES TOLERANCES DECIMALS: X ± .1 XX ± .01 XXX ± .001 XXXX ± .0005  ANGULAR: X ± 0.5 THIRD ANGLE PROJECTION	DESIGNED BY:	CREATION DATE:	<b>SAMSON STEEL</b>
	lbs		CWHEELER	08/08/18	
	VOLUME:		DETAILED BY:	DETAILED DATE:	
	Inch <sup>3</sup>		CWHEELER	08/08/18	
	COLOR:		LAST REVISED BY:	LAST REVISED DATE:	
HEAT TREAT:	cwheeler	08/09/18	TITLE: LAYOUT, 18' 40" X 34', LAGOON, LEFT, 8' DEEP HS303N, 2-LIGHTS, 3-INLETS, 2-1084, 600 SERIES		
FINISH:	MATERIAL:				
TEXTURE:					
	SIZE:	SHEET:	SCALE:	PART NUMBER:	
	A	1 OF 4	1:128	<b>00020537</b>	REV <b>A</b>



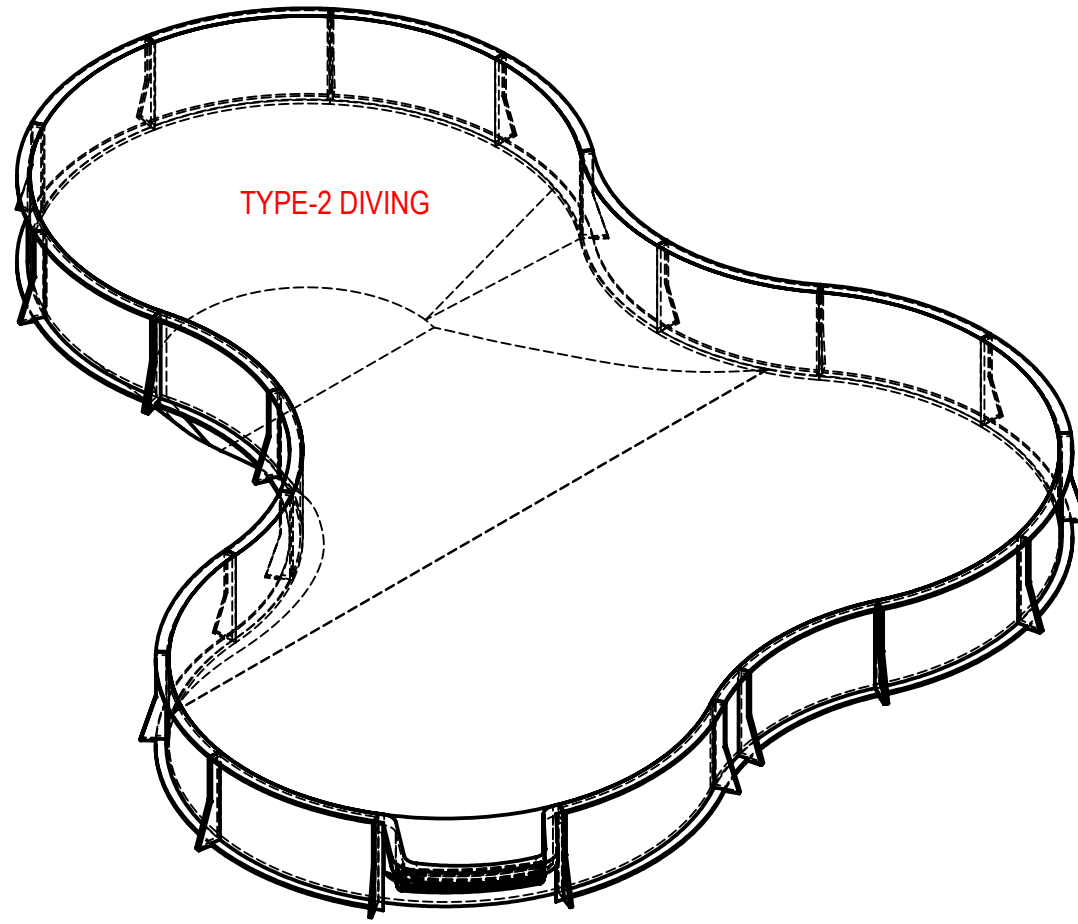
**Area: 366ft <sup>2</sup>**  
**Perimeter: 76ft**  
**Volume = 12823 US gallons**


- NOTES:**
1. THESE ARE FINISHED DIMENSIONS READY FOR THE LINER.
  2. DIMENSIONS ARE FROM INSIDE POOL PANELS.
  3. ROPE AND FLOAT ASSEMBLY SHOULD BE INSTALLED IN ACCORDANCE WITH CURRENT ANSI/ASPS/ICC REGULATIONS
  4. HYDRA LINER TRACK FOR STEPS IS INSTALLED WITH THE BARB FACING THE RISER WALL ON THE STEP.

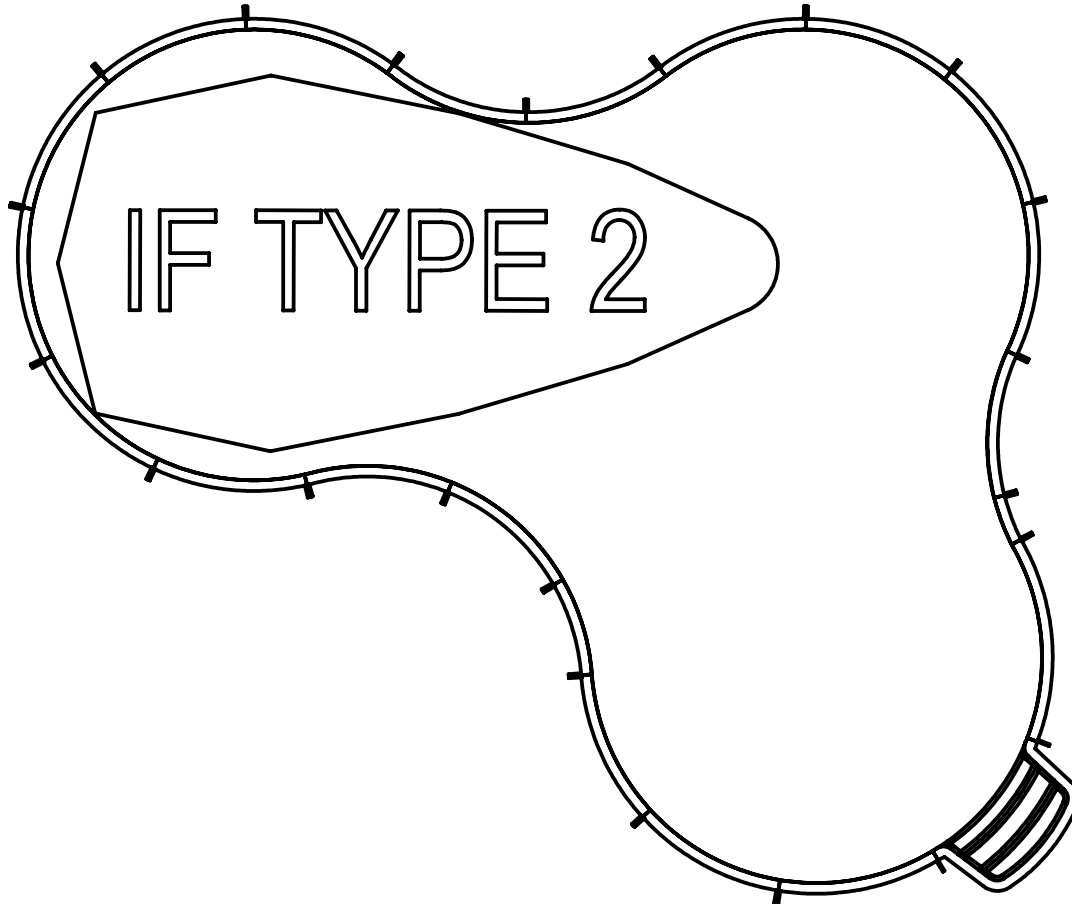
- EXCAVATION NOTES:**
5. ROUGH EXCAVATION SHOULD BE 2" DEEPER IN EACH INSTANCE.
  6. SOIL TO HAVE MINIMUM BEARING CAPACITY OF 1500 PSF.
  7. LOCATE TOP OF POOL AT LEAST 6" ABOVE THE SURROUNDING LAND ELEVATION.
  8. SEE "OVER DIG DETAIL" FOR EXCAVATION AROUND POOL.
  9. FILL VOIDS UNDER BASE OF PANELS AND TAMP WELL.
  10. BACK FILL WITH NON-EXPANSIVE MATERIAL.
  11. FOLLOW ALL CURRENT ANSI / APSP / ICC GUIDELINES FOR RESIDENTIAL POOLS

**IMPORTANT NOTES:**  
 THIS DOCUMENT IS FOR ILLUSTRATIVE PURPOSES ONLY. THE DEALER OR CONTRACTOR WHO SELLS OR INSTALLS YOUR POOL IS AN INDEPENDENT CONTRACTOR AND IS NOT AN AGENT OF THE MANUFACTURER. THE CONSTRUCTION METHODS ILLUSTRATED HERE ARE SUGGESTIONS AND APPLY ONLY TO NORMAL GROUND CONDITIONS. THERE MAY BE ADDITIONAL PRECAUTIONS AND/OR METHODS OF CONSTRUCTION. PROPER INSTALLATION IS THE RESPONSIBILITY OF THE DEALER/BUILDER/CONTRACTOR.

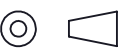
ENGINEERING DRAWING NUMBER: <b>00020537</b>	WEIGHT:	UNLESS OTHERWISE SPECIFIED DIMENSIONS ARE IN INCHES TOLERANCES DECIMALS: X ± .1 XX ± .01 XXX ± .001 XXXX ± .0005  ANGULAR: X ± 0.5 THIRD ANGLE PROJECTION	DESIGNED BY:	CREATION DATE:	<b>SAMSON STEEL</b>		
	lbs		CWHEELER	08/08/18			
	VOLUME:		DETAILED BY:	DETAILED DATE:			
	Inch <sup>3</sup>		CWHEELER	08/08/18			
COLOR:	LAST REVISED BY:	LAST REVISED DATE:	TITLE: LAYOUT, 18' 40'5" X 34', LAGOON, LEFT, 8' DEE HS303N, 2-LIGHTS, 3-INLETS, 2-1084, 600 SERIES				
HEAT TREAT:	cwheeler	08/09/18					
FINISH:	MATERIAL:	PART NUMBER:					
TEXTURE:		SIZE:	SHEET:	SCALE:	<b>00020537</b>	REV	<b>A</b>
		<b>A</b>	2 OF 4	1:128			



ENGINEERING DRAWING NUMBER: <b>00020537</b>	WEIGHT:	<b>UNLESS OTHERWISE SPECIFIED</b> DIMENSIONS ARE IN INCHES TOLERANCES DECIMALS: X ± .1 XX ± .01 XXX ± .001 XXXX ± .0005 ANGULAR: X ± 0.5 THIRD ANGLE PROJECTION 	DESIGNED BY:	CREATION DATE:	<b>SAMSON STEEL</b>		
	lbs		CWHEELER	08/08/18			
	VOLUME:		DETAILED BY:	DETAILED DATE:	TITLE: LAYOUT, 18' 40'5" X 34', LAGOON, LEFT, 8' DEEP HS303N, 2- LIGHTS, 3-INLETS, 2-1084, 600 SERIES		
	Inch <sup>3</sup>		CWHEELER	08/08/18			
	COLOR:		LAST REVISED BY:	LAST REVISED DATE:	PART NUMBER: <b>00020537</b>		
	HEAT TREAT:		cwheeler	08/09/18			
FINISH:	MATERIAL:		SIZE:	SHEET:	SCALE:	REV:	
TEXTURE:			<b>A</b>	3 OF 4	1:192	<b>A</b>	



IF TYPE 2

ENGINEERING DRAWING NUMBER: <b>00020537</b>	WEIGHT:	<b>UNLESS OTHERWISE SPECIFIED</b> DIMENSIONS ARE IN INCHES TOLERANCES DECIMALS: X ± .1 XX ± .01 XXX ± .001 XXXX ± .0005  ANGULAR: X ± 0.5 THIRD ANGLE PROJECTION 	DESIGNED BY:	CREATION DATE:	<b>SAMSON STEEL</b>			
	lbs		CWHEELER	08/08/18				
	VOLUME:		Detailed by:	Detailed Date:	TITLE: LAYOUT, 18' 40'5" X 34', LAGOON, LEFT, 8' DEEP HS303N, 2-LIGHTS, 3-INLETS, 2-1084, 600 SERIES			
	Inch <sup>3</sup>		CWHEELER	08/08/18				
	COLOR:		LAST REVISED BY:	LAST REVISED DATE:	SIZE:	SHEET:	SCALE:	PART NUMBER:
	HEAT TREAT:		cwheeler	08/09/18	<b>A</b>	4 OF 4	1:192	<b>00020537</b>
FINISH:	MATERIAL:		REV:					
TEXTURE:			<b>A</b>					