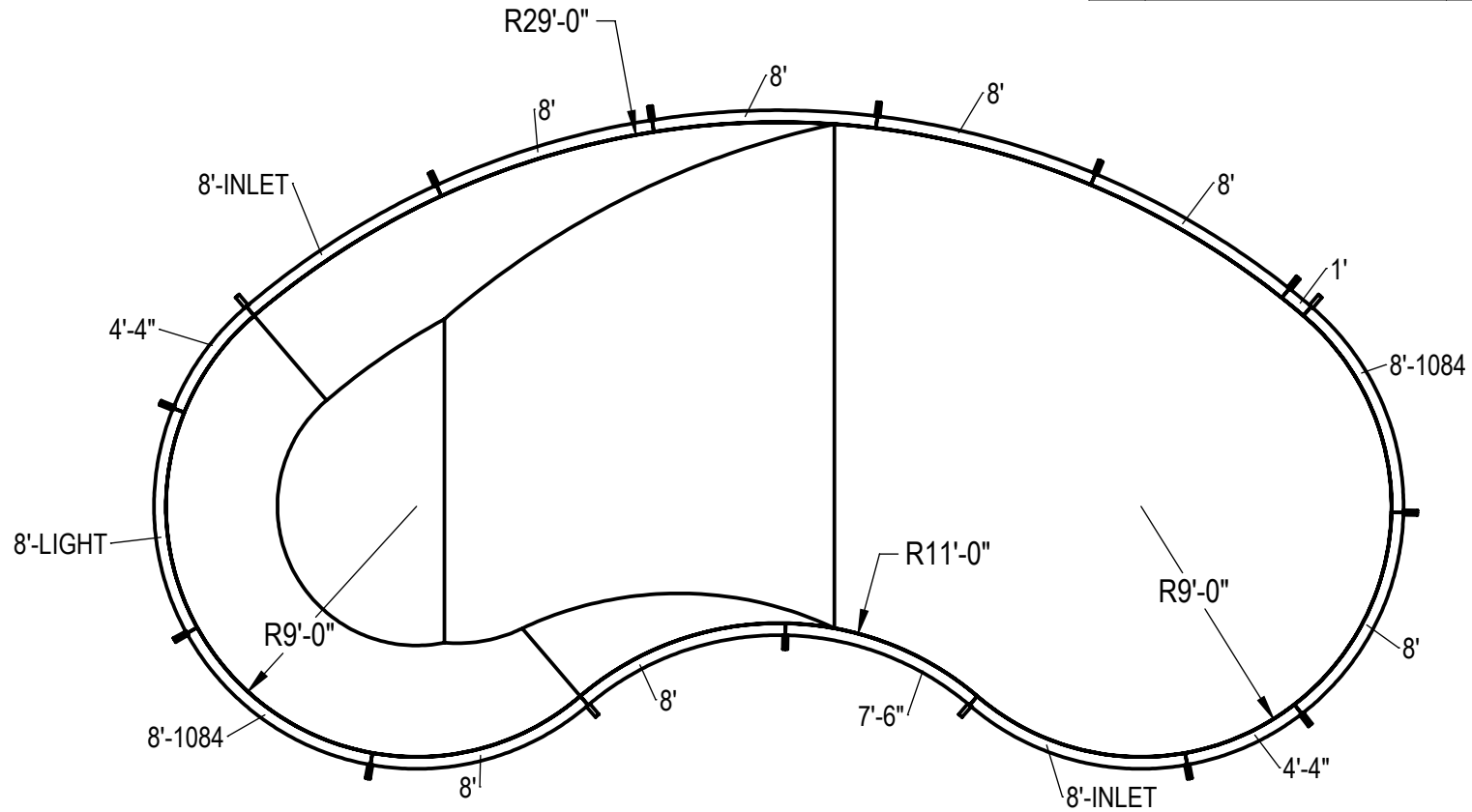


REVISION HISTORY				
REV.	DESCRIPTION	DATE	ECO	BY
A	RELEASED FOR QUOTE	01/05/15		RCOLBOCH



ITEM	FILE NAME	DESCRIPTION	CUSTOMER DRAWING #	VENDOR PART #	QTY.	VENDOR NAME	MATERIAL
1	PANEL, RADIUS	PANEL, 9' RADIUS, 8' LONG WITH LIGHT	HPSD9R8L	00000398	1	SAMSON STEEL	
2	PANEL, RADIUS	PANEL, 9' RADIUS, 8' LONG WITH 1084	HPS9R884	00000272	2	SAMSON STEEL	
3	PANEL, RADIUS	PANEL, 9' RADIUS, 8' LONG	HPSD9R8	00000395	2	SAMSON STEEL	
4	PANEL, RADIUS	PANEL, 9' RADIUS, 4'-4" LONG, 600 SERIES	HPSCR5	00007845	2	SAMSON STEEL	
5	PANEL, RADIUS	PANEL, 9' RADIUS, 8' WITH INLET	HPS9R8I	00000275	1	SAMSON STEEL	
6	PANEL, RADIUS	PANEL, 29' RADIUS, 1' LONG, 600 SERIES	HPSCR2	00008213	1	SAMSON STEEL	
7	PANEL, RADIUS	PANEL, 29' RADIUS, 8' LONG, INLET, 600 SERIES	HPSCR8	00008215	1	SAMSON STEEL	
8	PANEL, RADIUS	PANEL, 29' RADIUS, 8' LONG, 600 SERIES	HPSCR8	00008212	4	SAMSON STEEL	
9	PANEL, RR	PANEL, 11' REVERSE RADIUS, 8' LONG	HPSCRR8	00006518	1	STEEL	
10	PANEL, RR	PANEL, 11' REVERSE RADIUS, 7'-6" LONG, 600 SERIES	HPSCRR8	00008214	1	STEEL	
11	SBRACE	BRACE, FOLD OVER WITH TURNBUCKLE, STEEL, HPSFOB	HPSFOB	HPSFOB	16	STEEL	
12	BOLT, PACK	BOLT, FLANGE, 3/8-16 X 1", PACK (50)	HPS1916	HPS1916	4		AISI 1020

**NOTES:**

1. THESE ARE FINISHED DIMENSIONS READY FOR THE LINER.
2. DIMENSIONS ARE FROM INSIDE POOL PANELS.
3. THE IDEAL WATER LEVEL SHOULD BE TO THE MIDDLE OF THE SKIMMER OPENING(S).

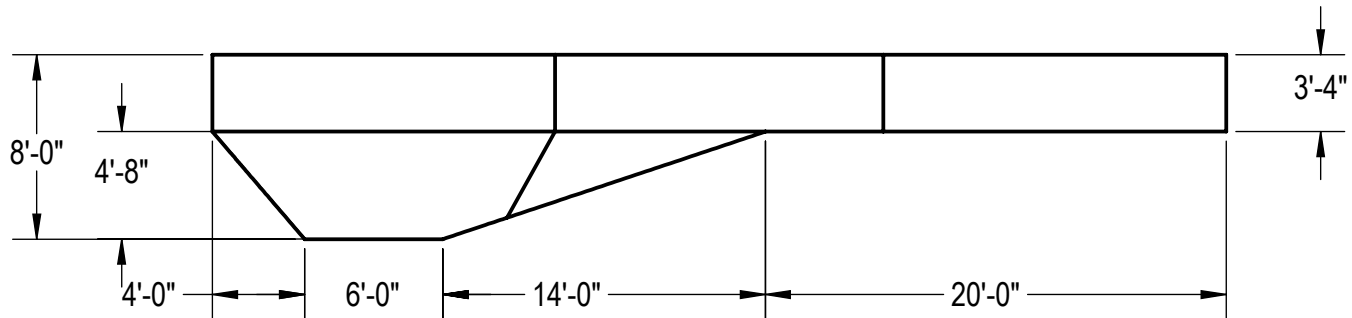
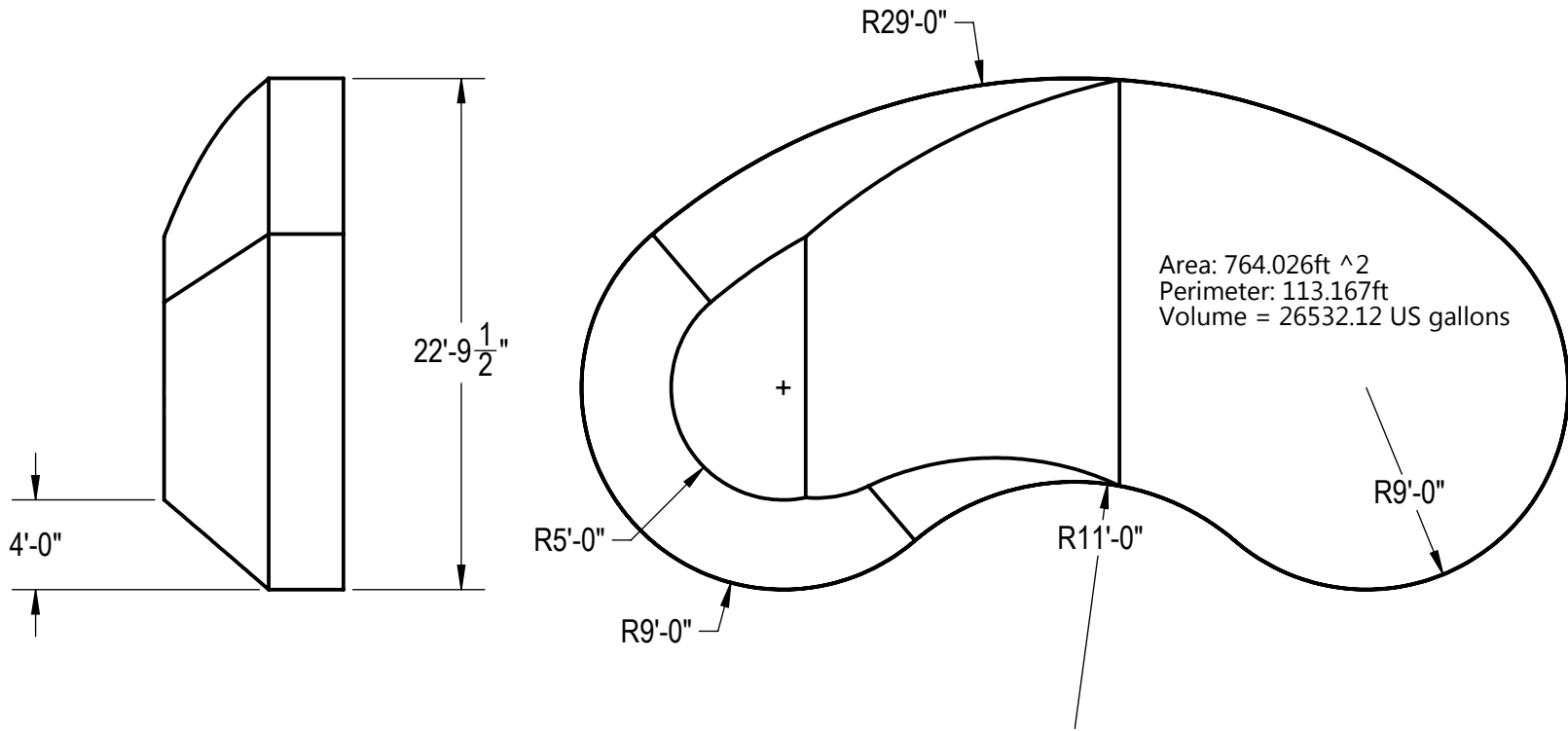
**EXCAVATION NOTES:**

4. ROUGH EXCAVATION SHOULD BE 2" DEEPER IN EACH INSTANCE.
5. SOIL TO HAVE MINIMUM BEARING CAPACITY OF 1500 PSF.
6. LOCATE TOP OF POOL AT LEAST 6" ABOVE THE SURROUNDING LAND ELEVATION.
7. SEE "OVER DIG DETAIL" FOR EXCAVATION AROUND POOL.
8. FILL VOIDS UNDER BASE OF PANELS AND TAMP WELL.
9. BACK FILL WITH NON-EXPANSIVE MATERIAL.
10. ANSI / APSP / ICC-5 FOR RESIDENTIAL POOLS, 2003-2007 BOCA CODE SECTION 421.

**IMPORTANT NOTES:**

THIS DOCUMENT IS FOR ILLUSTRATIVE PURPOSES ONLY. THE DEALER OR CONTRACTOR WHO SELLS OR INSTALLS YOUR POOL IS AN INDEPENDENT CONTRACTOR AND IS NOT AN AGENT OF THE MANUFACTURER. THE CONSTRUCTION METHODS ILLUSTRATED HERE ARE SUGGESTIONS AND APPLY ONLY TO NORMAL GROUND CONDITIONS. THERE MAY BE ADDITIONAL PRECAUTIONS AND/OR METHODS OF CONSTRUCTION. PROPER INSTALLATION IS THE RESPONSIBILITY OF THE DEALER/BUILDER/CONTRACTOR.

ENGINEERING DRAWING NUMBER: <b>00008208</b>	WEIGHT: 22203.2 lbs	<b>UNLESS OTHERWISE SPECIFIED</b> DIMENSIONS ARE IN INCHES  TOLERANCES DECIMALS: X ± 0.1 XX ± 0.01 XXX ± 0.005 XXXX ± 0.0005  ANGULAR: X ± 0.5 THIRD ANGLE PROJECTION	DESIGNED BY: JBOSSEDET	CREATION DATE: 01/05/15	<b>SAMSON STEEL</b>
	VOLUME: Inch <sup>3</sup>		DETAILED BY: RCOLBOCH	DETAILED DATE: 10/05/12	
	COLOR:		LAST REVISED BY: rcolboch	LAST REVISED DATE: 01/05/15	TITLE: <b>LAYOUT, 18' X 44' BENT KIDNEY LEFT, 8' DEEP, 1084, 600 SERIES</b>
	HEAT TREAT:		MATERIAL:	PART NUMBER: <b>00008208</b>	
FINISH:					
TEXTURE:					



ENGINEERING DRAWING NUMBER: <b>00008208</b>	WEIGHT: 643.778 lbs	<b>UNLESS OTHERWISE SPECIFIED</b> DIMENSIONS ARE IN INCHES TOLERANCES DECIMALS: X ± 0.1 XX ± 0.01 XXX ± 0.005 XXXX ± 0.0005 ANGULAR: X ± 0.5 THIRD ANGLE PROJECTION 	DESIGNED BY: JBOSSEDET	CREATION DATE: 01/05/15	<b>SAMSON STEEL</b>				
	VOLUME: 17819.718 Inch <sup>3</sup>		DETAILED BY: RCOLBOCH	DETAILED DATE: 10/05/12					
	COLOR: NA		LAST REVISED BY: rcolboch	LAST REVISED DATE: 01/05/15	TITLE: <b>LAYOUT, 18' X 44' BENT KIDNEY LEFT, 8' DEEP, 1084, 600 SERIES</b>				
	HEAT TREAT: NA		MATERIAL: Material <not specified>						
	FINISH: NA						PART NUMBER:	SCALE: 1:192	SIZE: A
	TEXTURE: NA						<b>00008208</b>	SHEET: 2 OF 2	