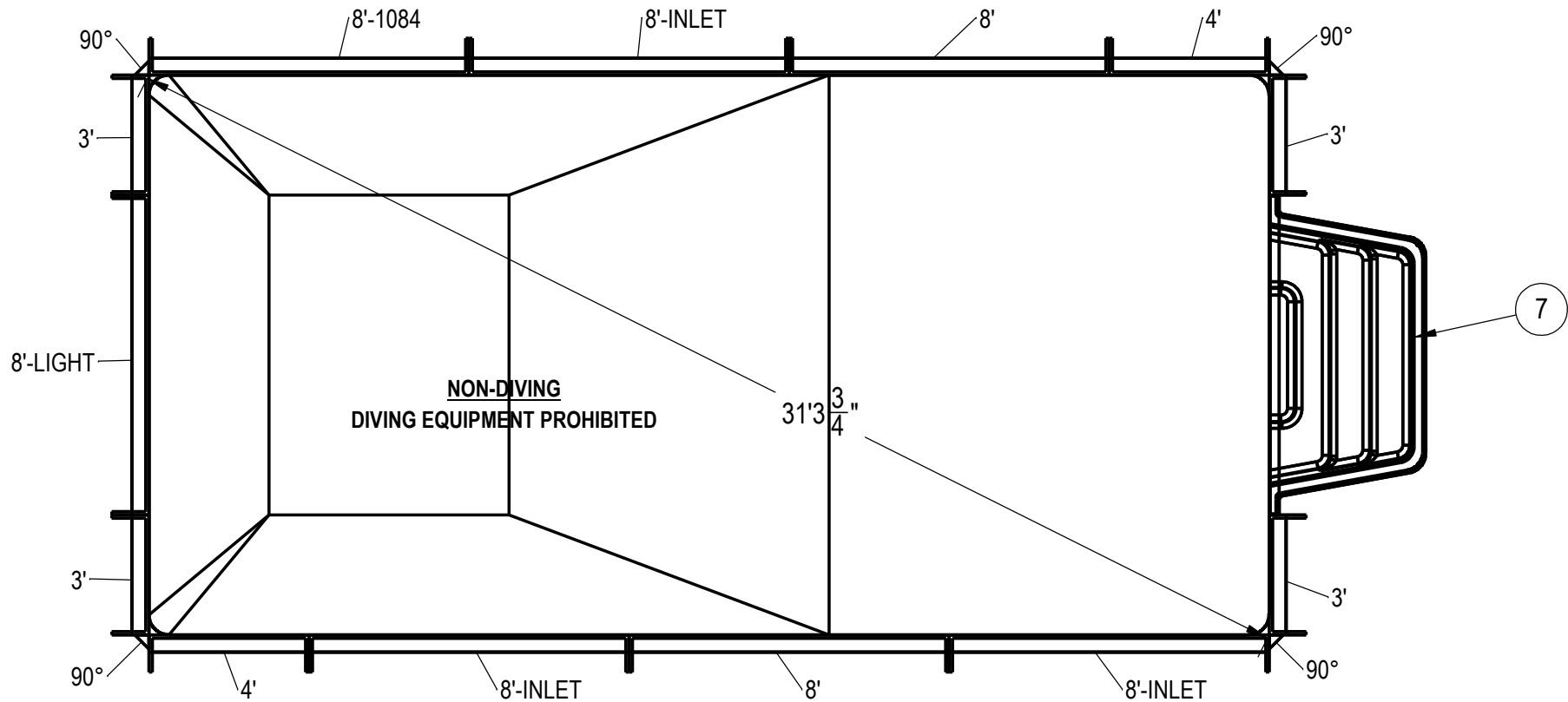


REVISION HISTORY			
REV.	DESCRIPTION	DATE	BY
A	RELEASED FOR QUOTE	4/4/2018	LNELSON

MIRROR NUMBER: MADE FROM: 00016998 CHECK IN DATE/TIME: Saturday, June 16, 2018 7:30:37 AM



NOTES:

- THESE ARE FINISHED DIMENSIONS READY FOR THE LINER.
- DIMENSIONS ARE FROM INSIDE POOL PANELS.
- ROPE AND FLOAT ASSEMBLY SHOULD BE INSTALLED IN ACCORDANCE WITH CURRENT ANSI/ASPS/ICC REGULATIONS
- HYDRA LINER TRACK FOR STEPS IS INSTALLED WITH THE BARB FACING THE RISER WALL ON THE STEP.

EXCAVATION NOTES:

- ROUGH EXCAVATION SHOULD BE 2" DEEPER IN EACH INSTANCE.
- SOIL TO HAVE MINIMUM BEARING CAPACITY OF 1500 PSF.
- LOCATE TOP OF POOL AT LEAST 6" ABOVE THE SURROUNDING LAND ELEVATION.
- SEE "OVER DIG DETAIL" FOR EXCAVATION AROUND POOL.
- FILL VOIDS UNDER BASE OF PANELS AND TAMP WELL.
- BACK FILL WITH NON-EXPANSIVE MATERIAL.
- FOLLOW ALL CURRENT ANSI / APSP / ICC GUIDELINES FOR RESIDENTIAL POOLS

IMPORTANT NOTES:

THIS DOCUMENT IS FOR ILLUSTRATIVE PURPOSES ONLY. THE DEALER OR CONTRACTOR WHO SELLS OR INSTALLS YOUR POOL IS AN INDEPENDENT CONTRACTOR AND IS NOT AN AGENT OF THE MANUFACTURER. THE CONSTRUCTION METHODS ILLUSTRATED HERE ARE SUGGESTIONS AND APPLY ONLY TO NORMAL GROUND CONDITIONS. THERE MAY BE ADDITIONAL PRECAUTIONS AND/OR METHODS OF CONSTRUCTION. PROPER INSTALLATION IS THE RESPONSIBILITY OF THE DEALER/BUILDER/CONTRACTOR.

ITEM	FILE NAME	DESCRIPTION	CUSTOMER DRAWING #	VENDOR PART #	QTY.
1	PANEL, STRAIGHT	PANEL, 8' LONG, 1084, 700 SERIES	HPSE10884	00004966	1
2	PANEL, STRAIGHT	PANEL, 8' LONG, INLET, 700 SERIES	HPSE108I	00004969	3
3	PANEL, STRAIGHT	PANEL, 8' LONG, 700 SERIES	HPSE108P	00004961	2
4	PANEL, STRAIGHT	PANEL, 3' LONG, 700 SERIES	HPSE103P	00002661	4
5	PANEL, STRAIGHT	PANEL, 4' LONG, 700 SERIES	HPSE104P	00002723	2
6	PANEL, STRAIGHT	PANEL, 8' LONG, LIGHT, 700 SERIES	HPSE108L	00004962	1
7	HS110N	STEP, 8', TWIN SEAT, 4 TREAD	HS110N	HS110N	1
8	PANEL, WEDGE	WEDGE, 2 1/2" X 2 1/2" X 90°	HPSD6CA	00003541	4
9	BOLT, PACK	BOLT, FLANGE, 3/8-16 X 1", PACK (50)	HPS1916	HPS1916	4
10	SBRACE	BRACE, FOLD OVER WITH TURNBUCKLE, STEEL, HPSFOB	HPSFOB	HPSFOB	18

UNLESS OTHERWISE SPECIFIED

DIMENSIONS ARE IN INCHES
TOLERANCES
DECIMALS: X ± .1
 XX ± .01
 XXX ± .001
 XXXX ± .0005

ANGULAR: X ± 0.5
THIRD ANGLE PROJECTION

WEIGHT: 120220.0 lbs
VOLUME: Inch³
COLOR:
HEAT TREAT:
FINISH:
TEXTURE:

ENGINEERING DRAWING NUMBER: 00018164

DESIGNED BY: **BUMPHREY**
CREATION DATE: **07/31/13**

DETAILED BY: **LNELSON**
DETAILED DATE: **04/04/18**

LAST REVISED BY: **SYSTEM**
LAST REVISED DATE: **06/16/18**

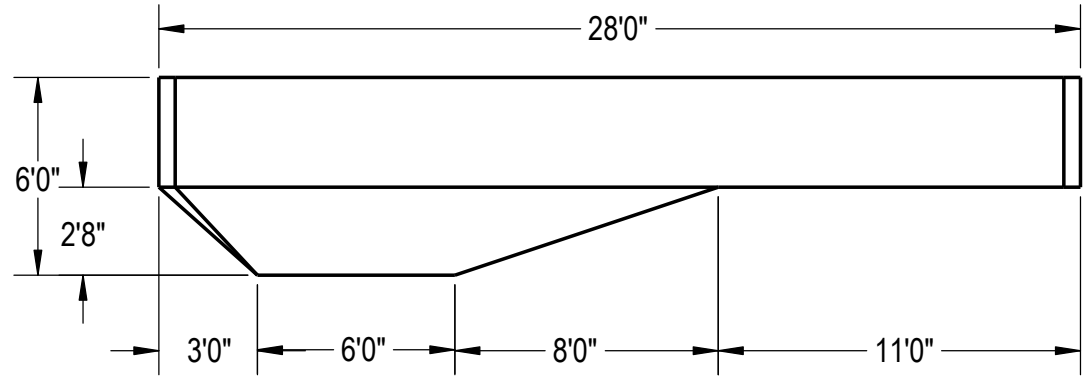
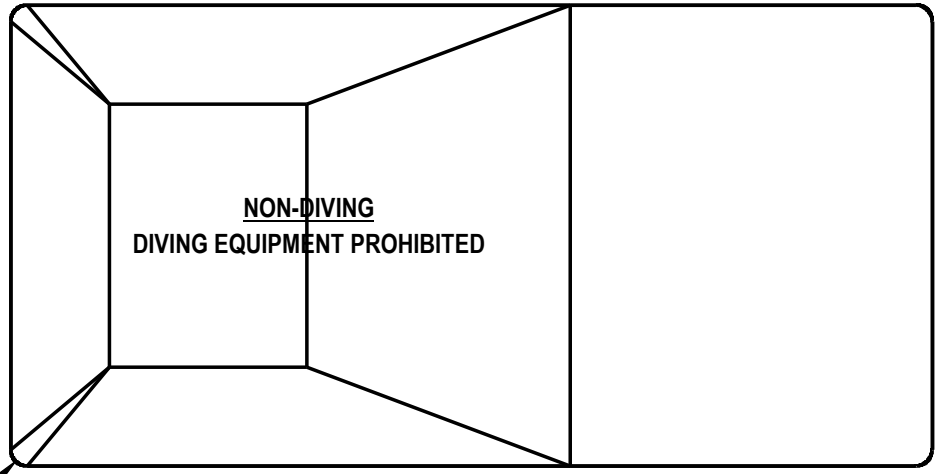
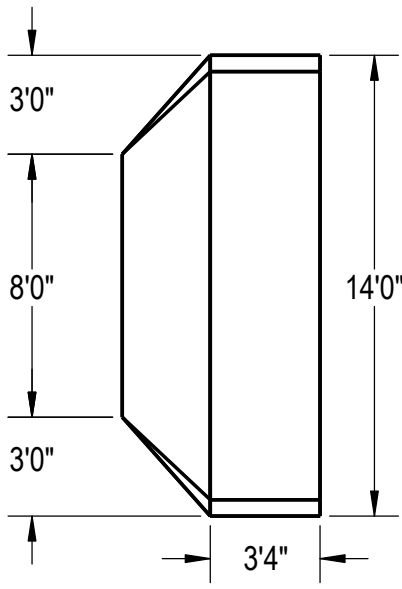
MATERIAL:

HYDRA POOLS

TITLE: **LAYOUT, 14' X 28', RECTANGLE, 6" RADIUS, 6' DEEP, WEDGE BOTTOM, HS110N, LIGHT, 1084, 3-INLET, 700 SERIES**

PART NUMBER: **00018164**

SCALE: 1:60
SHEET: 1 OF 3
SIZE: A



Area: 391.79ft ^2
Perimeter: 83.14ft
Volume = 12402 US gallons

NOTES:

1. THESE ARE FINISHED DIMENSIONS READY FOR THE LINER.
2. DIMENSIONS ARE FROM INSIDE POOL PANELS.
3. ROPE AND FLOAT ASSEMBLY SHOULD BE INSTALLED IN ACCORDANCE WITH CURRENT ANSI/ASPS/ICC REGULATIONS
4. HYDRA LINER TRACK FOR STEPS IS INSTALLED WITH THE BARB FACING THE RISER WALL ON THE STEP.

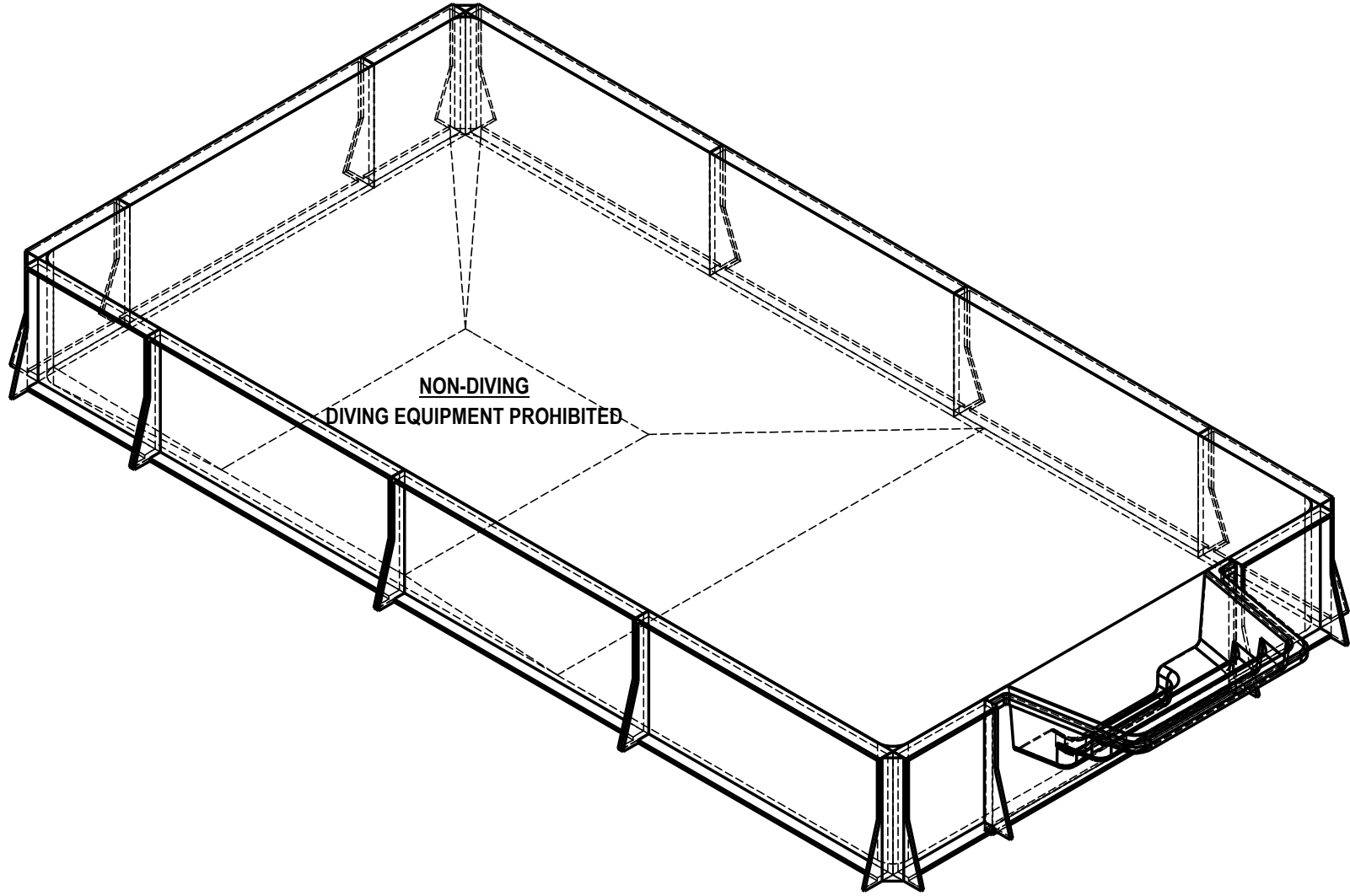
EXCAVATION NOTES:

5. ROUGH EXCAVATION SHOULD BE 2" DEEPER IN EACH INSTANCE.
6. SOIL TO HAVE MINIMUM BEARING CAPACITY OF 1500 PSF.
7. LOCATE TOP OF POOL AT LEAST 6" ABOVE THE SURROUNDING LAND ELEVATION.
8. SEE "OVER DIG DETAIL" FOR EXCAVATION AROUND POOL.
9. FILL VOIDS UNDER BASE OF PANELS AND TAMP WELL.
10. BACK FILL WITH NON-EXPANSIVE MATERIAL.
11. FOLLOW ALL CURRENT ANSI / APSP / ICC GUIDELINES FOR RESIDENTIAL POOLS

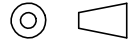
IMPORTANT NOTES:

THIS DOCUMENT IS FOR ILLUSTRATIVE PURPOSES ONLY. THE DEALER OR CONTRACTOR WHO SELLS OR INSTALLS YOUR POOL IS AN INDEPENDENT CONTRACTOR AND IS NOT AN AGENT OF THE MANUFACTURER. THE CONSTRUCTION METHODS ILLUSTRATED HERE ARE SUGGESTIONS AND APPLY ONLY TO NORMAL GROUND CONDITIONS. THERE MAY BE ADDITIONAL PRECAUTIONS AND/OR METHODS OF CONSTRUCTION. PROPER INSTALLATION IS THE RESPONSIBILITY OF THE DEALER/BUILDER/CONTRACTOR.

ENGINEERING DRAWING NUMBER: 00018164	WEIGHT: 103496.542 lbs	UNLESS OTHERWISE SPECIFIED DIMENSIONS ARE IN INCHES TOLERANCES DECIMALS: X ± .1 XX ± .01 XXX ± .001 XXXX ± .0005 ANGULAR: X ± 0.5 THIRD ANGLE PROJECTION 	DESIGNED BY: BUMPHREY	CREATION DATE: 07/31/13	HYDRA POOLS			
	VOLUME: 2864775.233 Inch ³		DETAILED BY: LNELSON	DETAILED DATE: 04/04/18				
	COLOR: NA		HEAT TREAT: NA	FINISH: NA	LAST REVISED BY: SYSTEM	LAST REVISED DATE: 07/10/18	TITLE: LAYOUT, 14' X 28', RECTANGLE, 6" RADIUS, 6" DEEP, WEDGE BOTTOM, HS110N, LIGHT, 1084, 3-INLET, 700 SERIES	
	TEXTURE: NA		MATERIAL: Water			PART NUMBER: 00018164	SCALE: 1:96 SHEET: 2 OF 3	SIZE: A



NON-DIVING
DIVING EQUIPMENT PROHIBITED

ENGINEERING DRAWING NUMBER: 00018164	WEIGHT: 120220.0 lbs	UNLESS OTHERWISE SPECIFIED DIMENSIONS ARE IN INCHES TOLERANCES DECIMALS: X ± .1 XX ± .01 XXX ± .001 XXXX ± .0005 ANGULAR: X ± 0.5 THIRD ANGLE PROJECTION 	DESIGNED BY: BUMPHREY	CREATION DATE: 07/31/13	HYDRA POOLS	
	VOLUME: Inch ³		DETAILED BY: LNELSON	DETAILED DATE: 04/04/18		
	COLOR:		LAST REVISED BY: SYSTEM	LAST REVISED DATE: 06/16/18		
	HEAT TREAT:		MATERIAL:		TITLE: LAYOUT, 14' X 28', RECTANGLE, 6" RADIUS, 6" DEEP, WEDGE BOTTOM, HS110N, LIGHT, 1084, 3-INLET, 700 SERIES	
	FINISH:				PART NUMBER: 00018164	
	TEXTURE:					
				SHEET: 3 OF 3		