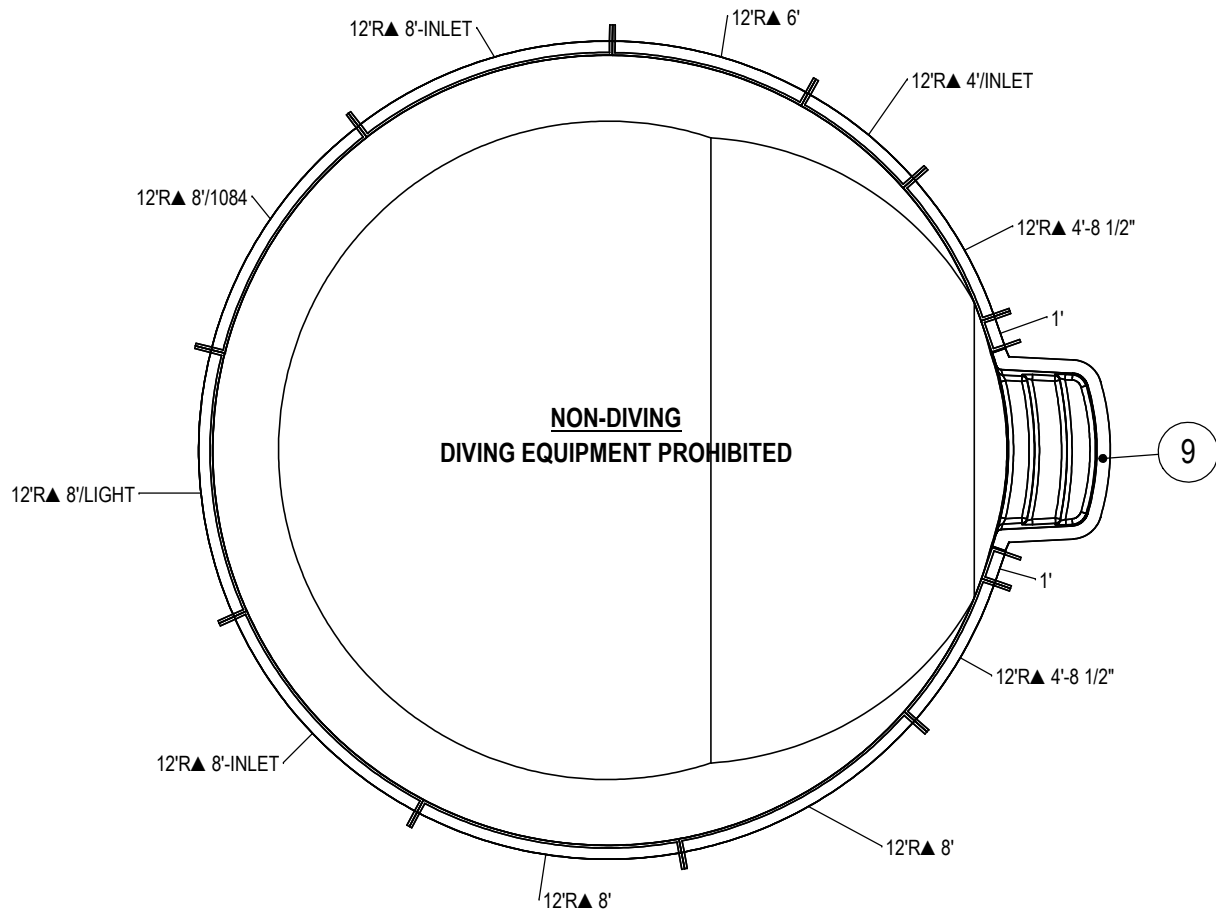


REVISION HISTORY				
REV.	DESCRIPTION	DATE	ECO	BY



NOTES:

1. THESE ARE FINISHED DIMENSIONS READY FOR THE LINER.
2. DIMENSIONS ARE FROM INSIDE POOL PANELS.
3. ROPE AND FLOAT ASSEMBLY SHOULD BE INSTALLED IN ACCORDANCE WITH CURRENT ANSI/ASPS/ICC REGULATIONS
4. HYDRA LINER TRACK FOR STEPS IS INSTALLED WITH THE BARB FACING THE RISER WALL ON THE STEP.

EXCAVATION NOTES:

5. ROUGH EXCAVATION SHOULD BE 2" DEEPER IN EACH INSTANCE.
6. SOIL TO HAVE MINIMUM BEARING CAPACITY OF 1500 PSF.
7. LOCATE TOP OF POOL AT LEAST 6" ABOVE THE SURROUNDING LAND ELEVATION.
8. SEE "OVER DIG DETAIL" FOR EXCAVATION AROUND POOL.
9. FILL VOIDS UNDER BASE OF PANELS AND TAMP WELL.
10. BACK FILL WITH NON-EXPANSIVE MATERIAL.
11. FOLLOW ALL CURRENT ANSI / APSP / ICC GUIDELINES FOR RESIDENTIAL POOLS

IMPORTANT NOTES:

THIS DOCUMENT IS FOR ILLUSTRATIVE PURPOSES ONLY. THE DEALER OR CONTRACTOR WHO SELLS OR INSTALLS YOUR POOL IS AN INDEPENDENT CONTRACTOR AND IS NOT AN AGENT OF THE MANUFACTURER. THE CONSTRUCTION METHODS ILLUSTRATED HERE ARE SUGGESTIONS AND APPLY ONLY TO NORMAL GROUND CONDITIONS. THERE MAY BE ADDITIONAL PRECAUTIONS AND/OR METHODS OF CONSTRUCTION. PROPER INSTALLATION IS THE RESPONSIBILITY OF THE DEALER/BUILDER/CONTRACTOR.

ITEM	FILE NAME	DESCRIPTION	CUSTOMER DRAWING #	VENDOR PART #	QTY.
1	PANEL, RADIUS	PANEL, 12' RADIUS, 4' LONG, INLET, 600 SERIES	HPSCR5	00005935	1
2	PANEL, RADIUS	PANEL, 12' RADIUS, 6' LONG, 600 SERIES	HPSD12R6	00000438	1
3	PANEL, RADIUS	PANEL, 12' RADIUS, 8' LONG, INLET, 600 SERIES	HPSCR8	00009749	2
4	PANEL, RADIUS	PANEL, 12' RADIUS, 8' LONG, 1084, 600 SERIES	HPS12R884	00000249	1
5	PANEL, RADIUS	PANEL, 12' RADIUS, 8' LONG, LIGHT, 600 SERIES	HPS12R8L	00000251	1
6	PANEL, RADIUS	PANEL, 12' RADIUS, 8' LONG, 600 SERIES	HPSD12R8	00000439	2
7	PANEL, RADIUS	PANEL, 12' RADIUS, 4'-8 1/2" LONG, 600 SERIES	HPSCR5	00008264	2
8	PANEL, STRAIGHT	PANEL, 1' LONG, 600 SERIES	HPSD101P	00000621	2
9	HS103N	STEP, 6' RADIUS, 3 TREAD	HS103N	HS103N	1
10	SBRACE	BRACE, FOLD OVER WITH TURNBUCKLE, STEEL, HPSFOB	HPSFOB	HPSFOB	13
11	BOLT, PACK	BOLT, FLANGE, 3/8-16 X 1", PACK (50)	HPS1916	HPS1916	3

WEIGHT: 65221640 lbs
VOLUME: Inch ³
COLOR:
HEAT TREAT:
FINISH:
TEXTURE:

UNLESS OTHERWISE SPECIFIED
 DIMENSIONS ARE IN INCHES
 TOLERANCES
 DECIMALS: X ± .1
 XX ± .01
 XXX ± .001
 XXXX ± .0005
 ANGULAR: X ± 0.5
 THIRD ANGLE PROJECTION

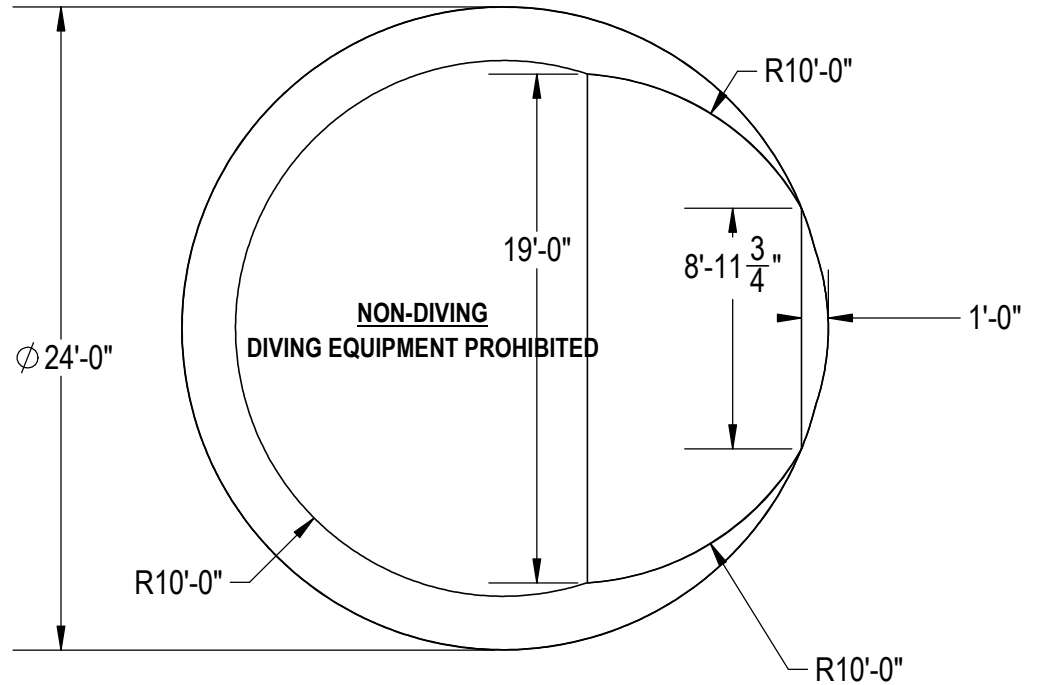
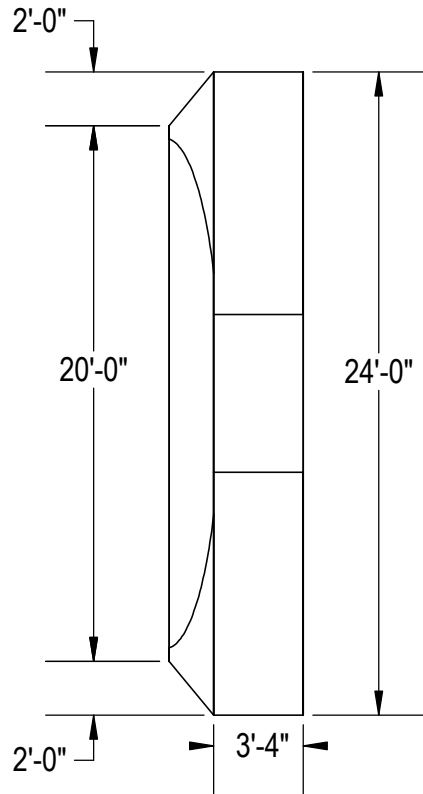
DESIGNED BY: BUMPHREY	CREATION DATE: 5/20/2016
DETAILED BY: JRITTENHOUSE	DETAILED DATE: 4/5/2018
LAST REVISED BY: rhouston	LAST REVISED DATE: 4/5/2018
MATERIAL:	

HYDRA POOLS

TITLE: LAYOUT, 24', ROUND, 5' DEEP, HS103N, LIGHT, 1084, 3-INLET, 600 SERIES

PART NUMBER: **00018213**

SCALE: 1:128	SIZE: A
SHEET: 1 OF 3	



Area: 452.90ft ^2
Perimeter: 75.45ft
Volume = 15463 US gallons

NOTES:

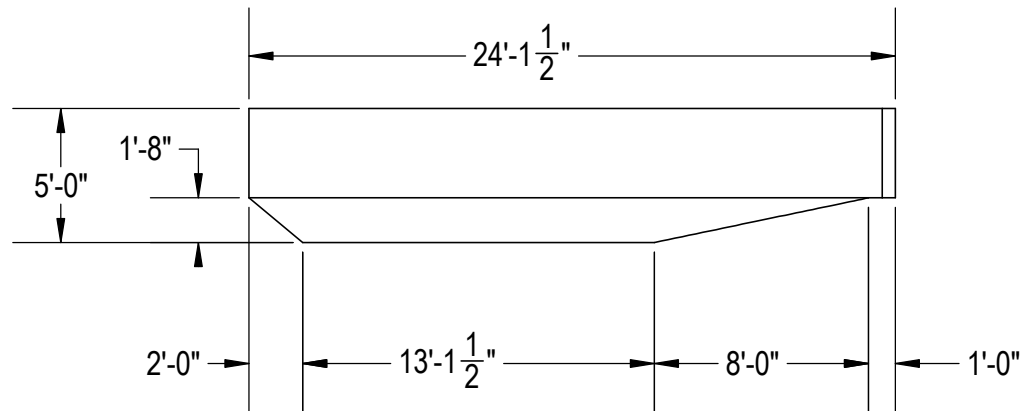
- THESE ARE FINISHED DIMENSIONS READY FOR THE LINER.
- DIMENSIONS ARE FROM INSIDE POOL PANELS.
- ROPE AND FLOAT ASSEMBLY SHOULD BE INSTALLED IN ACCORDANCE WITH CURRENT ANSI/ASPS/ICC REGULATIONS
- HYDRA LINER TRACK FOR STEPS IS INSTALLED WITH THE BARB FACING THE RISER WALL ON THE STEP.

EXCAVATION NOTES:

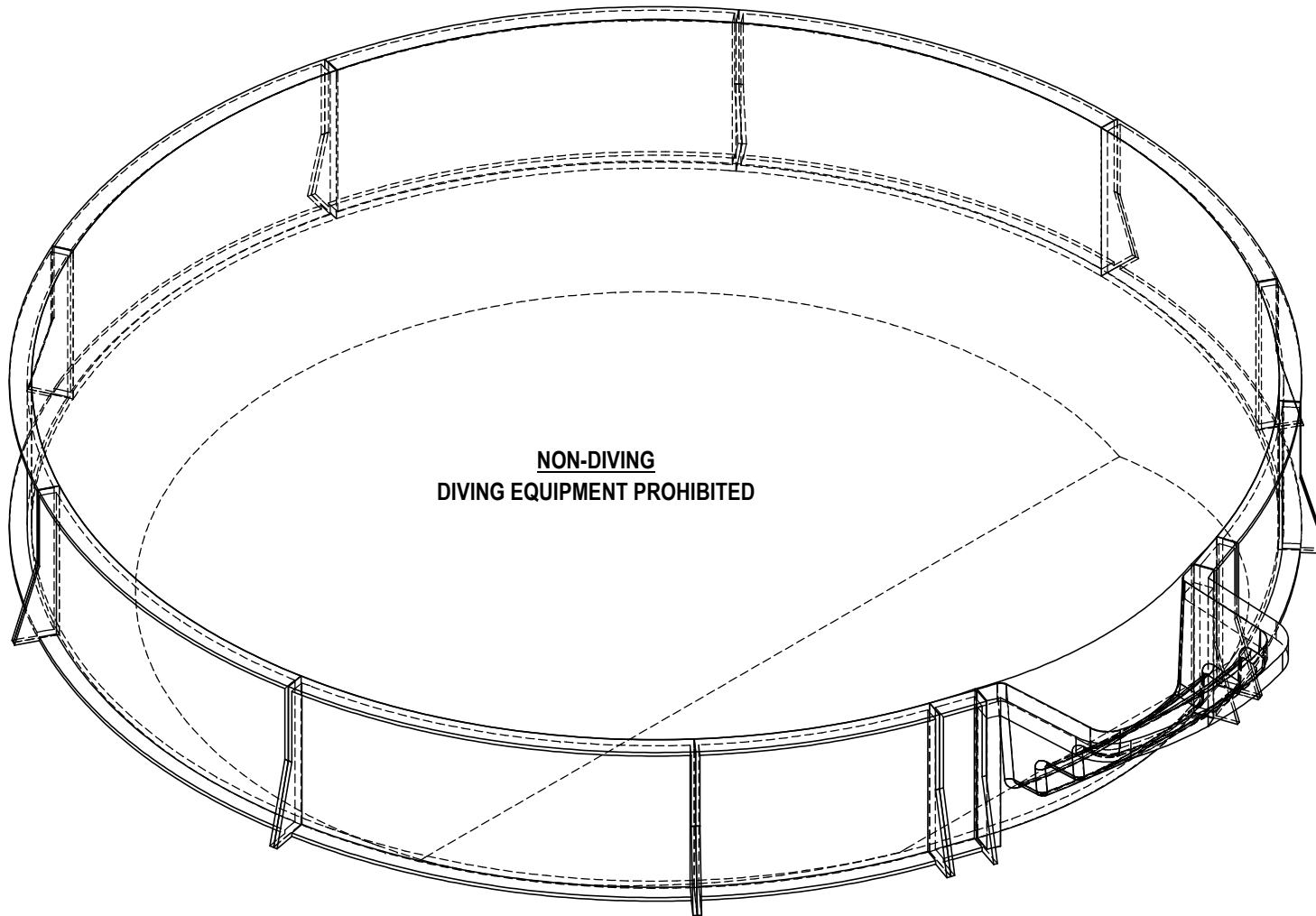
- ROUGH EXCAVATION SHOULD BE 2" DEEPER IN EACH INSTANCE.
- SOIL TO HAVE MINIMUM BEARING CAPACITY OF 1500 PSF.
- LOCATE TOP OF POOL AT LEAST 6" ABOVE THE SURROUNDING LAND ELEVATION.
- SEE "OVER DIG DETAIL" FOR EXCAVATION AROUND POOL.
- FILL VOIDS UNDER BASE OF PANELS AND TAMP WELL.
- BACK FILL WITH NON-EXPANSIVE MATERIAL.
- FOLLOW ALL CURRENT ANSI / APSP / ICC GUIDELINES FOR RESIDENTIAL POOLS

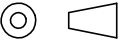
IMPORTANT NOTES:

THIS DOCUMENT IS FOR ILLUSTRATIVE PURPOSES ONLY. THE DEALER OR CONTRACTOR WHO SELLS OR INSTALLS YOUR POOL IS AN INDEPENDENT CONTRACTOR AND IS NOT AN AGENT OF THE MANUFACTURER. THE CONSTRUCTION METHODS ILLUSTRATED HERE ARE SUGGESTIONS AND APPLY ONLY TO NORMAL GROUND CONDITIONS. THERE MAY BE ADDITIONAL PRECAUTIONS AND/OR METHODS OF CONSTRUCTION. PROPER INSTALLATION IS THE RESPONSIBILITY OF THE DEALER/BUILDER/CONTRACTOR.



ENGINEERING DRAWING NUMBER: 00018213	WEIGHT: 58532292 lbs	UNLESS OTHERWISE SPECIFIED DIMENSIONS ARE IN INCHES TOLERANCES DECIMALS: X ± .1 XX ± .01 XXX ± .001 XXXX ± .0005 ANGULAR: X ± 0.5 THIRD ANGLE PROJECTION	DESIGNED BY: BUMPHREY	CREATION DATE: 5/20/2016	HYDRA POOLS	
	VOLUME: 58532292195 Inch ³		DETAILED BY: JRITTENHOUSE	DETAILED DATE: 4/5/2018		
	COLOR: NA		LAST REVISED BY: rhouston	LAST REVISED DATE: 4/5/2018	TITLE: LAYOUT, 24', ROUND, 5' DEEP, HS103N, LIGHT, 1084, 3-INLET, 600 SERIES	
	HEAT TREAT: NA		MATERIAL:			
FINISH: NA					SHEET: 2 OF 3	
TEXTURE: NA						



ENGINEERING DRAWING NUMBER: 00018213	WEIGHT: 65221640 lbs	UNLESS OTHERWISE SPECIFIED DIMENSIONS ARE IN INCHES TOLERANCES DECIMALS: X ± .1 XX ± .01 XXX ± .001 XXXX ± .0005 ANGULAR: X ± 0.5 THIRD ANGLE PROJECTION 	DESIGNED BY: BUMPHREY	CREATION DATE: 5/20/2016	HYDRA POOLS
	VOLUME: Inch³		DETAILED BY: JRITTENHOUSE	DETAILED DATE: 4/5/2018	
	COLOR:		LAST REVISED BY: rhouston	LAST REVISED DATE: 4/5/2018	
	HEAT TREAT:		TITLE: LAYOUT, 24', ROUND, 5' DEEP, HS103N, LIGHT, 1084, 3-INLET, 600 SERIES		
	FINISH:		PART NUMBER: 00018213		
	TEXTURE:		SCALE: 1:128		
	SHEET: 3 OF 3				
	SIZE: A				