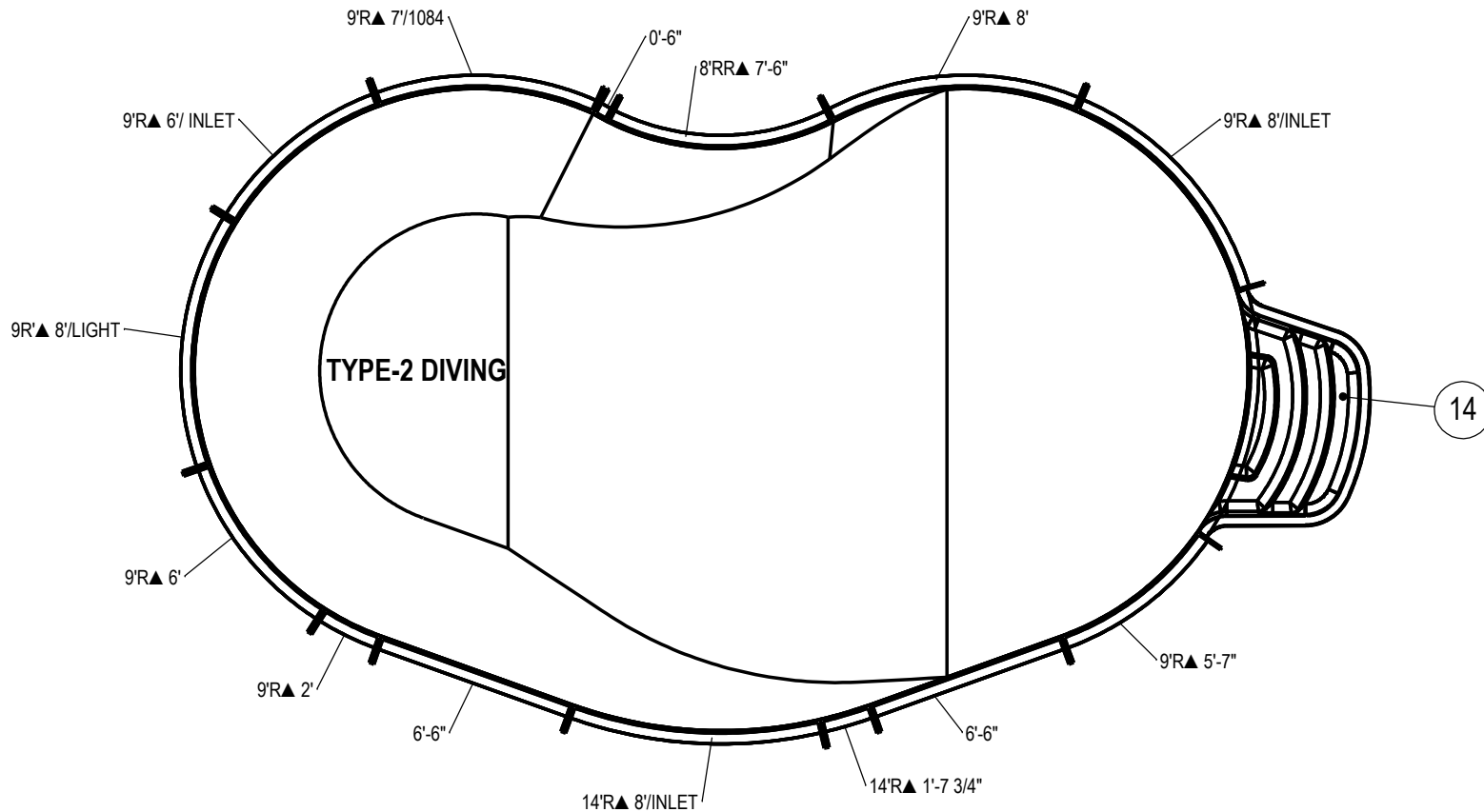


REVISION HISTORY				
REV.	DESCRIPTION	DATE	ECO	BY



**NOTES:**

- THESE ARE FINISHED DIMENSIONS READY FOR THE LINER.
- DIMENSIONS ARE FROM INSIDE POOL PANELS.
- ROPE AND FLOAT ASSEMBLY SHOULD BE INSTALLED IN ACCORDANCE WITH CURRENT ANSI/ASPS/ICC REGULATIONS
- HYDRA LINER TRACK FOR STEPS IS INSTALLED WITH THE BARB FACING THE RISER WALL ON THE STEP.

**EXCAVATION NOTES:**

- ROUGH EXCAVATION SHOULD BE 2" DEEPER IN EACH INSTANCE.
- SOIL TO HAVE MINIMUM BEARING CAPACITY OF 1500 PSF.
- LOCATE TOP OF POOL AT LEAST 6" ABOVE THE SURROUNDING LAND ELEVATION.
- SEE "OVER DIG DETAIL" FOR EXCAVATION AROUND POOL.
- FILL VOIDS UNDER BASE OF PANELS AND TAMP WELL.
- BACK FILL WITH NON-EXPANSIVE MATERIAL.
- FOLLOW ALL CURRENT ANSI / APSP / ICC GUIDELINES FOR RESIDENTIAL POOLS

**IMPORTANT NOTES:**

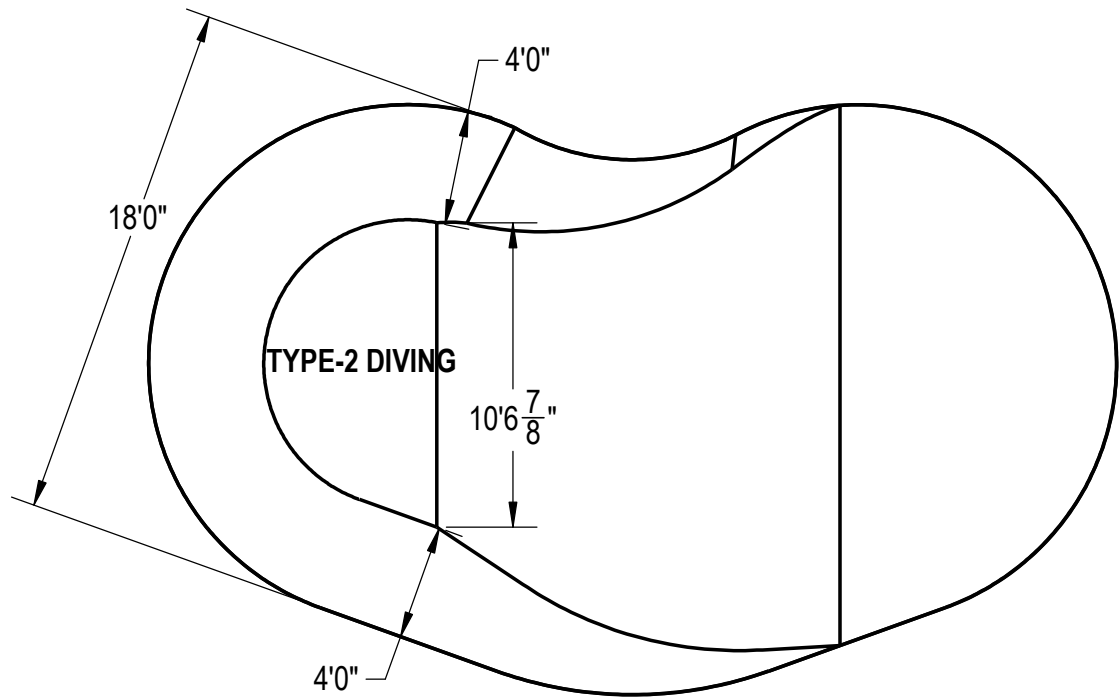
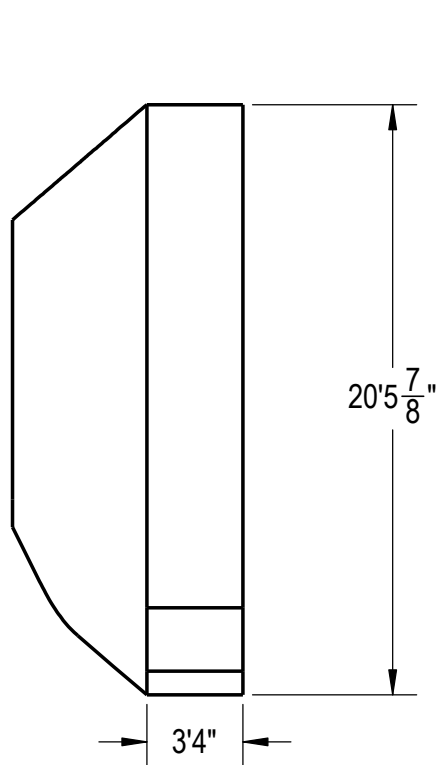
THIS DOCUMENT IS FOR ILLUSTRATIVE PURPOSES ONLY. THE DEALER OR CONTRACTOR WHO SELLS OR INSTALLS YOUR POOL IS AN INDEPENDENT CONTRACTOR AND IS NOT AN AGENT OF THE MANUFACTURER. THE CONSTRUCTION METHODS ILLUSTRATED HERE ARE SUGGESTIONS AND APPLY ONLY TO NORMAL GROUND CONDITIONS. THERE MAY BE ADDITIONAL PRECAUTIONS AND/OR METHODS OF CONSTRUCTION. PROPER INSTALLATION IS THE RESPONSIBILITY OF THE DEALER/BUILDER/CONTRACTOR.

ITEM	FILE NAME	DESCRIPTION	CUSTOMER DRAWING #	VENDOR PART #	QTY.
1	PANEL, RR	PANEL, 8' REVERSE RADIUS, 7'-6" LONG, 600 SERIES	HPSCRR8	00006228	1
2	PANEL, RADIUS	PANEL, 9' RADIUS, 7' LONG, 1084, 600 SERIES	HPS9R784	00001623	1
3	PANEL, RADIUS	PANEL, 9' RADIUS, 6' LONG, INLET, 600 SERIES	HPSCR7	00005844	1
4	PANEL, RADIUS	PANEL, 9' RADIUS, 8' LONG, LIGHT, 600 SERIES	HPSD9R8L	00000398	1
5	PANEL, RADIUS	PANEL, 9' RADIUS, 6' LONG, 600 SERIES	HPSD9R6	00000355	1
6	PANEL, RADIUS	PANEL, 9' RADIUS, 8' LONG, 600 SERIES	HPSD9R8	00000395	1
7	PANEL, RADIUS	PANEL, 9' RADIUS, 8', INLET OR LED, 600 SERIES	HPS9R8I	00000275	1
8	PANEL, RADIUS	PANEL, 14' RADIUS, 8' LONG, INLET, 600 SERIES	HPSCR8	00006553	1
9	PANEL, RADIUS	PANEL, 9' RADIUS, 5'-7" LONG, 600 SERIES	HPSCR6	00006975	1
10	PANEL, RADIUS	PANEL, 9' RADIUS, 2' LONG, 600 SERIES	HPSD9R2	00000349	1
11	PANEL, RADIUS	PANEL, 14' RADIUS, 1'-7 3/4" LONG, 600 SERIES	HPSCR2	00003357	1
12	PANEL, STRAIGHT	PANEL, 6'-6" LONG, 600 SERIES	HPSD1066P	00000678	2
13	PANEL, STRAIGHT	PANEL, 0'-6" LONG, 600 SERIES	HPSD6P	00001405	1
14	HS311N	STEP, 8' RADIUS, 4 TREAD, CANTILEVER	HS311N	HS311N	1
15	SBRACE	BRACE, FOLD OVER WITH TURNBUCKLE, STEEL, HPSFOB	HPSFOB	HPSFOB	15
16	BOLT, PACK	BOLT, FLANGE, 3/8-16 X 1", PACK (50)	HPS1916	HPS1916	4

ENGINEERING DRAWING NUMBER: <b>00018204</b>	WEIGHT:	<b>UNLESS OTHERWISE SPECIFIED</b> DIMENSIONS ARE IN INCHES TOLERANCES DECIMALS: X ± .1 XX ± .01 XXX ± .001 XXXX ± .0005  ANGULAR: X ± 0.5 THIRD ANGLE PROJECTION 
	lbs	
	VOLUME:	
	Inch <sup>3</sup>	
	COLOR:	
	HEAT TREAT:	
	FINISH:	
TEXTURE:		

DESIGNED BY: <b>BUMPHREY</b>	CREATION DATE: <b>1/7/2014</b>
DETAILED BY: <b>JRITTENHOUSE</b>	DETAILED DATE: <b>4/5/2018</b>
LAST REVISED BY: <b>rhouston</b>	LAST REVISED DATE: <b>4/5/2018</b>
MATERIAL:	

<b>HYDRA POOLS</b>	
TITLE: <b>LAYOUT, 18'X 33'-7", KIDNEY, RIGHT, 8' DEEP, HS311N, LIGHT, 1084, 3-INLET, 600 SERIES</b>	
PART NUMBER:	SCALE: 1:192 SHEET: 1 OF 5
<b>00018204</b>	<b>A</b>



**Area: 549.87ft ^2**  
**Perimeter: 89.23ft**  
**Volume = 20922 US gallons**

**NOTES:**

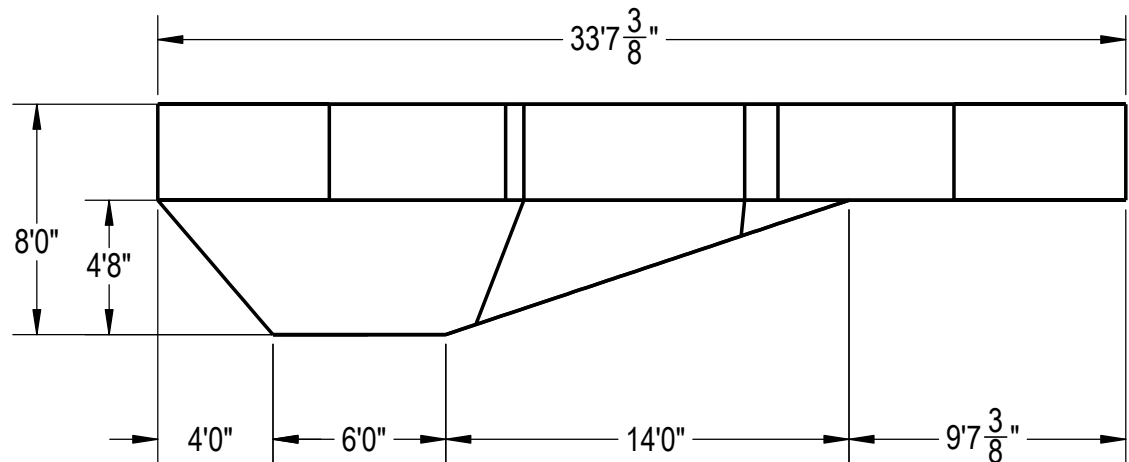
1. THESE ARE FINISHED DIMENSIONS READY FOR THE LINER.
2. DIMENSIONS ARE FROM INSIDE POOL PANELS.
3. ROPE AND FLOAT ASSEMBLY SHOULD BE INSTALLED IN ACCORDANCE WITH CURRENT ANSI/ASPS/ICC REGULATIONS
4. HYDRA LINER TRACK FOR STEPS IS INSTALLED WITH THE BARB FACING THE RISER WALL ON THE STEP.

**EXCAVATION NOTES:**

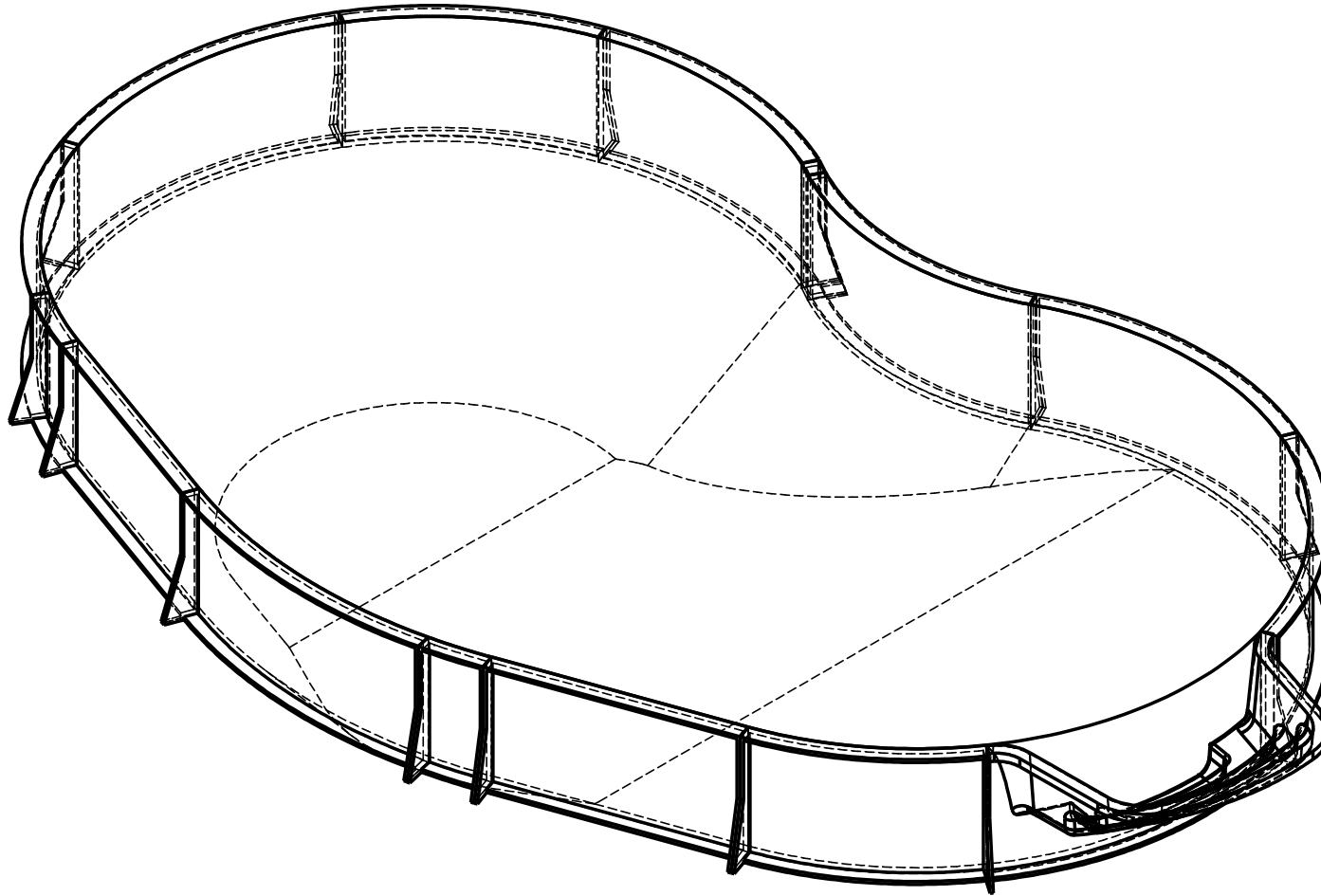
5. ROUGH EXCAVATION SHOULD BE 2" DEEPER IN EACH INSTANCE.
6. SOIL TO HAVE MINIMUM BEARING CAPACITY OF 1500 PSF.
7. LOCATE TOP OF POOL AT LEAST 6" ABOVE THE SURROUNDING LAND ELEVATION.
8. SEE "OVER DIG DETAIL" FOR EXCAVATION AROUND POOL.
9. FILL VOIDS UNDER BASE OF PANELS AND TAMP WELL.
10. BACK FILL WITH NON-EXPANSIVE MATERIAL.
11. FOLLOW ALL CURRENT ANSI / APSP / ICC GUIDELINES FOR RESIDENTIAL POOLS

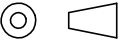
**IMPORTANT NOTES:**

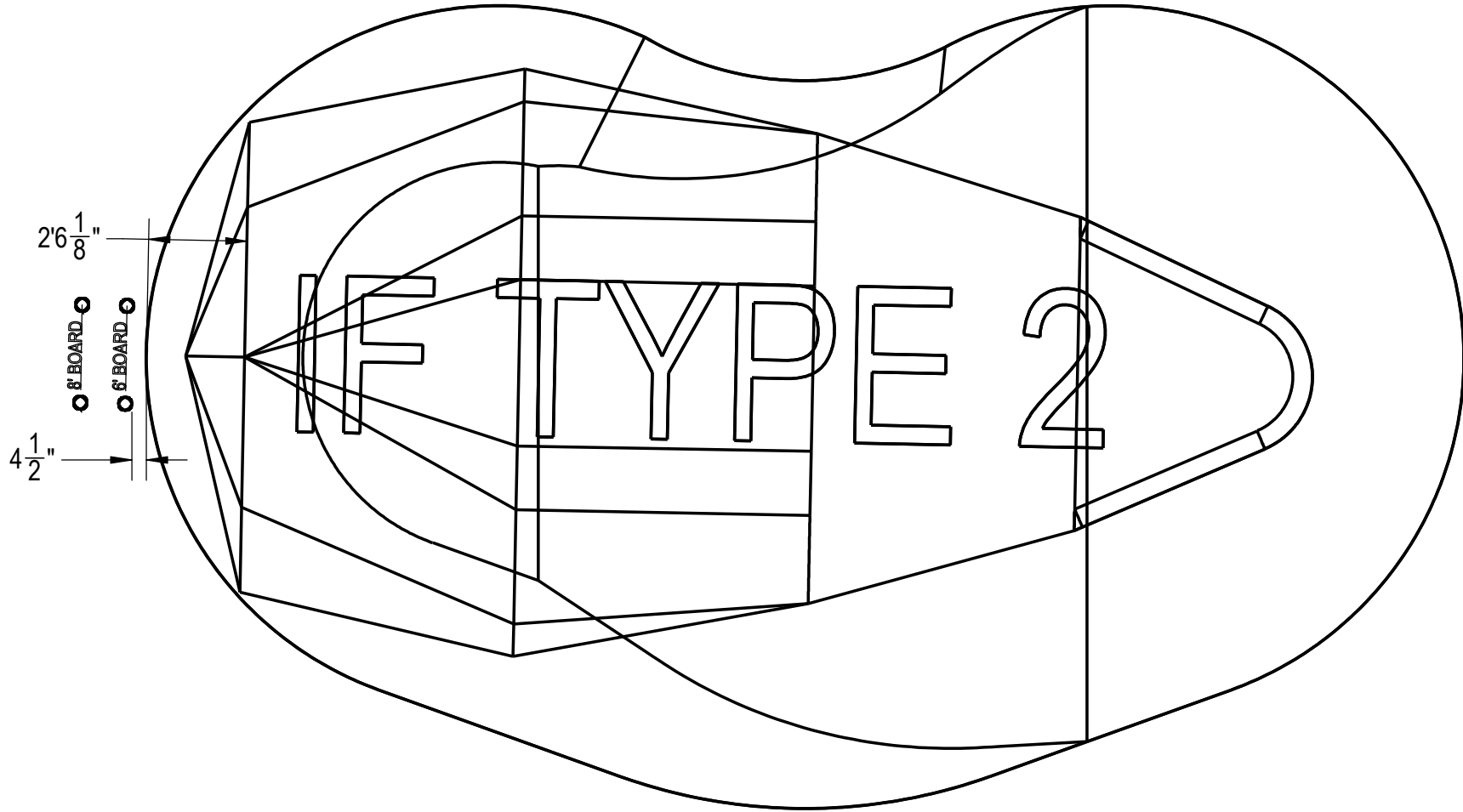
THIS DOCUMENT IS FOR ILLUSTRATIVE PURPOSES ONLY. THE DEALER OR CONTRACTOR WHO SELLS OR INSTALLS YOUR POOL IS AN INDEPENDENT CONTRACTOR AND IS NOT AN AGENT OF THE MANUFACTURER. THE CONSTRUCTION METHODS ILLUSTRATED HERE ARE SUGGESTIONS AND APPLY ONLY TO NORMAL GROUND CONDITIONS. THERE MAY BE ADDITIONAL PRECAUTIONS AND/OR METHODS OF CONSTRUCTION. PROPER INSTALLATION IS THE RESPONSIBILITY OF THE DEALER/BUILDER/CONTRACTOR.



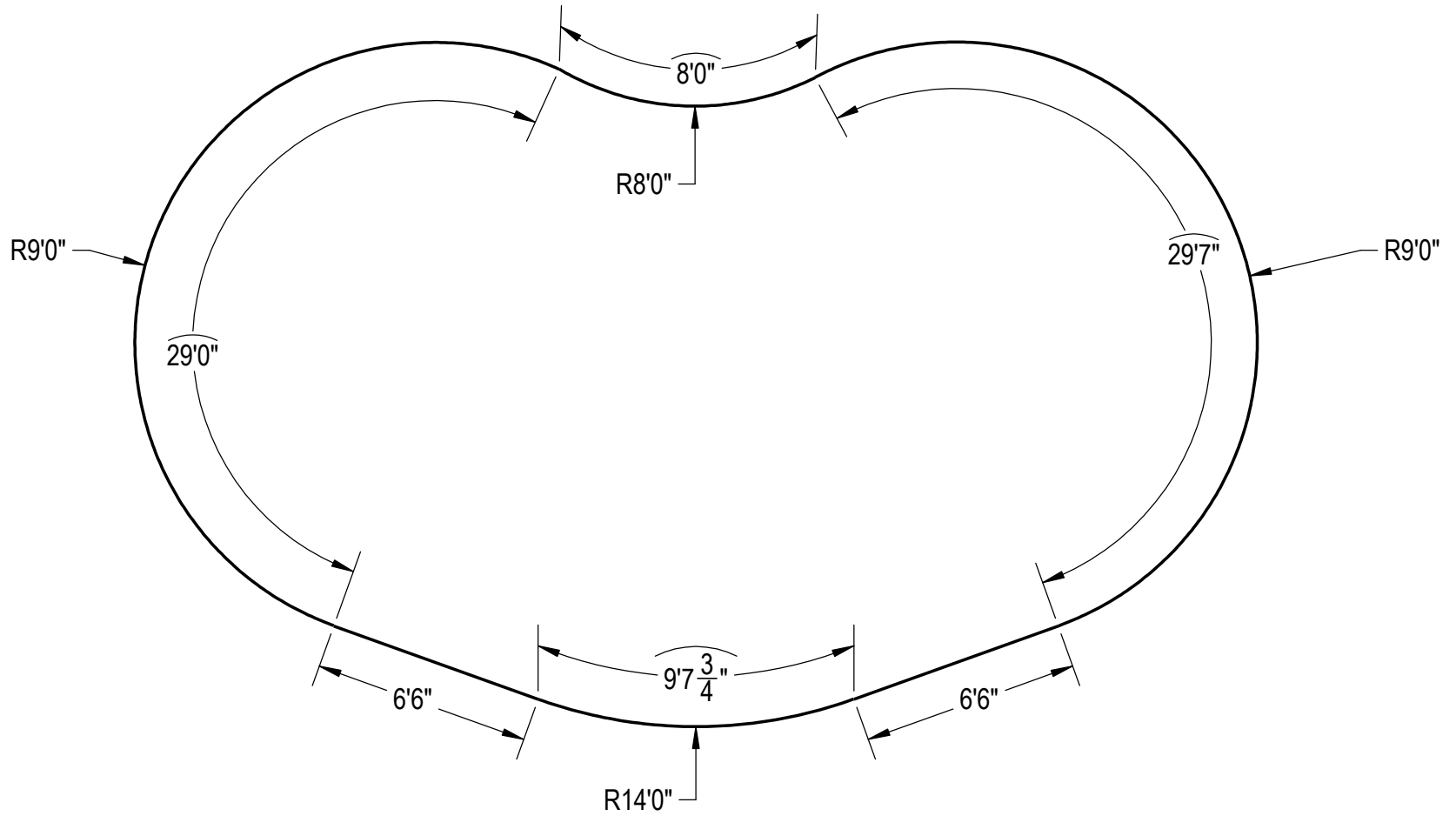
ENGINEERING DRAWING NUMBER: <b>00018204</b>	WEIGHT:	<b>UNLESS OTHERWISE SPECIFIED</b> DIMENSIONS ARE IN INCHES TOLERANCES DECIMALS: X ± .1 XX ± .01 XXX ± .001 XXXX ± .0005  ANGULAR: X ± 0.5 THIRD ANGLE PROJECTION 	DESIGNED BY: <b>BUMPHREY</b>	CREATION DATE: <b>1/7/2014</b>	<b>HYDRA POOLS</b>	
	VOLUME: Inch <sup>3</sup>		DETAILED BY: <b>JRITTENHOUSE</b>	DETAILED DATE: <b>4/5/2018</b>		
	COLOR:		LAST REVISED BY: <b>rhouston</b>	LAST REVISED DATE: <b>4/5/2018</b>	TITLE: <b>LAYOUT, 18'X 33'-7", KIDNEY, RIGHT, 8' DEEP, HS311N, LIGHT, 1084, 3-INLET, 600 SERIES</b>	
	HEAT TREAT:		MATERIAL:			
	FINISH:		PART NUMBER: <b>00018204</b>			
TEXTURE:			SHEET: <b>2 OF 5</b>			



ENGINEERING DRAWING NUMBER: <b>00018204</b>	WEIGHT:	<b>UNLESS OTHERWISE SPECIFIED</b> DIMENSIONS ARE IN INCHES TOLERANCES DECIMALS: X ± .1 XX ± .01 XXX ± .001 XXXX ± .0005  ANGULAR: X ± 0.5 THIRD ANGLE PROJECTION 	DESIGNED BY:	CREATION DATE:	<b>HYDRA POOLS</b>  TITLE: LAYOUT, 18'X 33'-7", KIDNEY, RIGHT, 8' DEEP, HS311N, LIGHT, 1084, 3-INLET, 600 SERIES  PART NUMBER: <b>00018204</b>
	lbs		DESIGNED BY:	1/7/2014	
	VOLUME:		DETAILED BY:	4/5/2018	
	Inch <sup>3</sup>		JRITTENHOUSE	4/5/2018	
	COLOR:		LAST REVISED BY:	4/5/2018	
	NA		rhouston		
HEAT TREAT:	MATERIAL:		SCALE:	SIZE:	
NA			1:192	A	
FINISH:			SHEET:		
NA			3 OF 5		
TEXTURE:					
NA					



ENGINEERING DRAWING NUMBER: <b>00018204</b>	WEIGHT:	<b>UNLESS OTHERWISE SPECIFIED</b> DIMENSIONS ARE IN INCHES TOLERANCES DECIMALS: X ± .1 XX ± .01 XXX ± .001 XXXX ± .0005  ANGULAR: X ± 0.5 THIRD ANGLE PROJECTION 	DESIGNED BY:	CREATION DATE:	<b>HYDRA POOLS</b>	
	lbs		<b>BUMPHREY</b>	1/7/2014		
	VOLUME:		DETAILED BY:	DETAILED DATE:		
	Inch <sup>3</sup>		<b>JRITTENHOUSE</b>	4/5/2018	TITLE:	LAYOUT, 18'X 33'-7", KIDNEY, RIGHT, 8' DEEP, HS311N, LIGHT, 1084, 3-INLET, 600 SERIES
	COLOR:		LAST REVISED BY:	LAST REVISED DATE:	PART NUMBER:	
	NA		<b>rhouston</b>	4/5/2018	<b>00018204</b>	SCALE:
HEAT TREAT:	MATERIAL:			1:192	A	
NA				SHEET:		
FINISH:				4 OF 5		
NA						
TEXTURE:						
NA						



ENGINEERING DRAWING NUMBER: <b>00018204</b>	WEIGHT:	<b>UNLESS OTHERWISE SPECIFIED</b> DIMENSIONS ARE IN INCHES TOLERANCES DECIMALS: X ± .1 XX ± .01 XXX ± .001 XXXX ± .0005  ANGULAR: X ± 0.5 THIRD ANGLE PROJECTION 	DESIGNED BY:	CREATION DATE:	<b>HYDRA POOLS</b>
	lbs		<b>BUMPHREY</b>	1/7/2014	
	VOLUME:		DETAILED BY:	DETAILED DATE:	
	Inch <sup>3</sup>		<b>JRITTENHOUSE</b>	4/5/2018	TITLE: <b>LAYOUT, 18'X 33'-7", KIDNEY, RIGHT, 8' DEEP, HS311N,                  LIGHT, 1084, 3-INLET, 600 SERIES</b>
	COLOR:		LAST REVISED BY:	LAST REVISED DATE:	
	NA		<b>rhouston</b>	4/5/2018	
HEAT TREAT:	MATERIAL:	PART NUMBER:		SCALE:	SIZE:
NA		<b>00018204</b>		1:192	A
FINISH:				SHEET:	
NA				5 OF 5	
TEXTURE:					
NA					