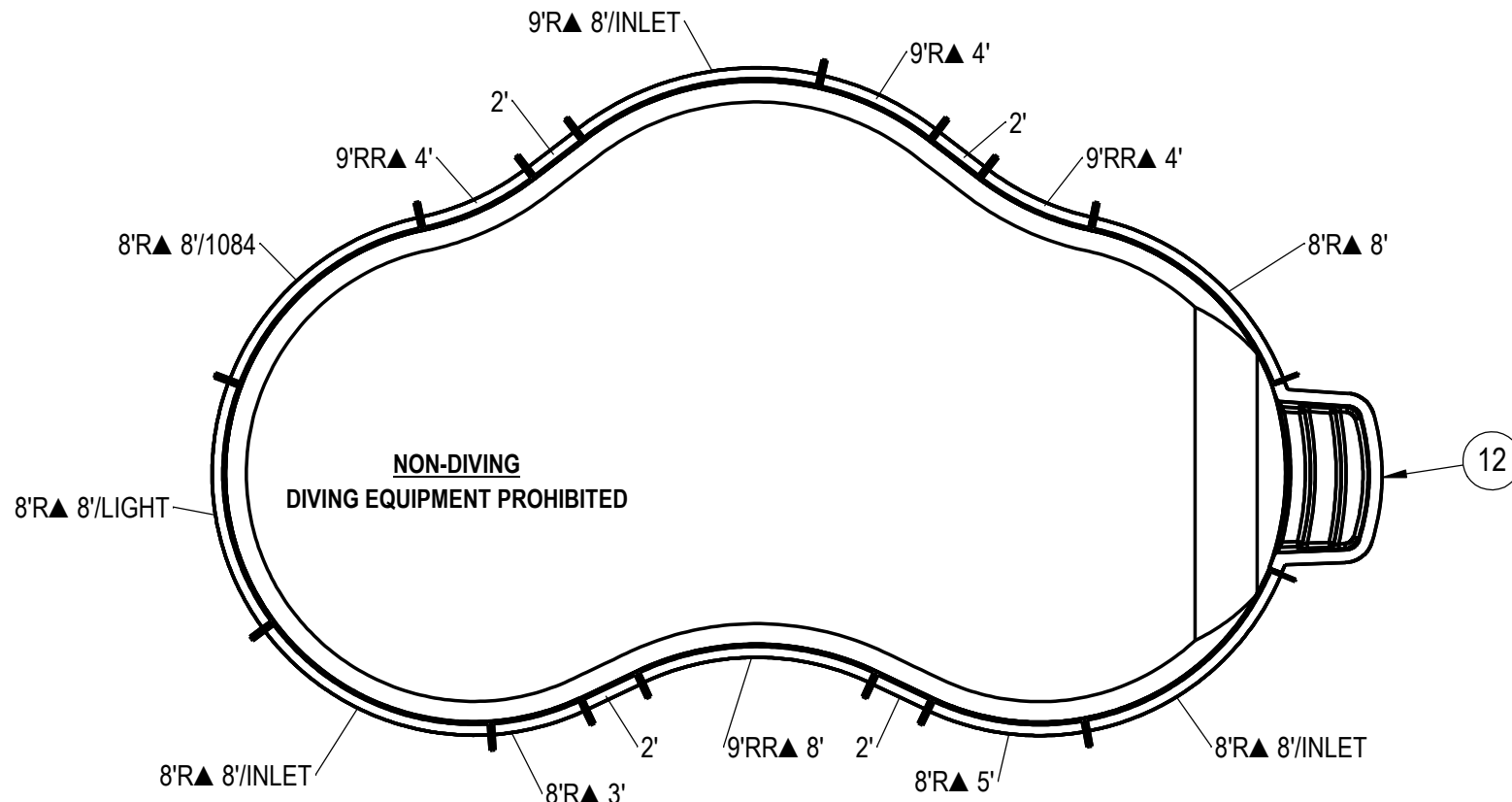


REVISION HISTORY				
REV.	DESCRIPTION	DATE	ECO	BY

MIRROR NUMBER: MADE FROM: 00017045 CHECK IN DATE/TIME: Friday, April 06, 2018 7:11:04 AM



**NOTES:**

- THESE ARE FINISHED DIMENSIONS READY FOR THE LINER.
- DIMENSIONS ARE FROM INSIDE POOL PANELS.
- ROPE AND FLOAT ASSEMBLY SHOULD BE INSTALLED IN ACCORDANCE WITH CURRENT ANSI/ASPS/ICC REGULATIONS
- HYDRA LINER TRACK FOR STEPS IS INSTALLED WITH THE BARB FACING THE RISER WALL ON THE STEP.

**EXCAVATION NOTES:**

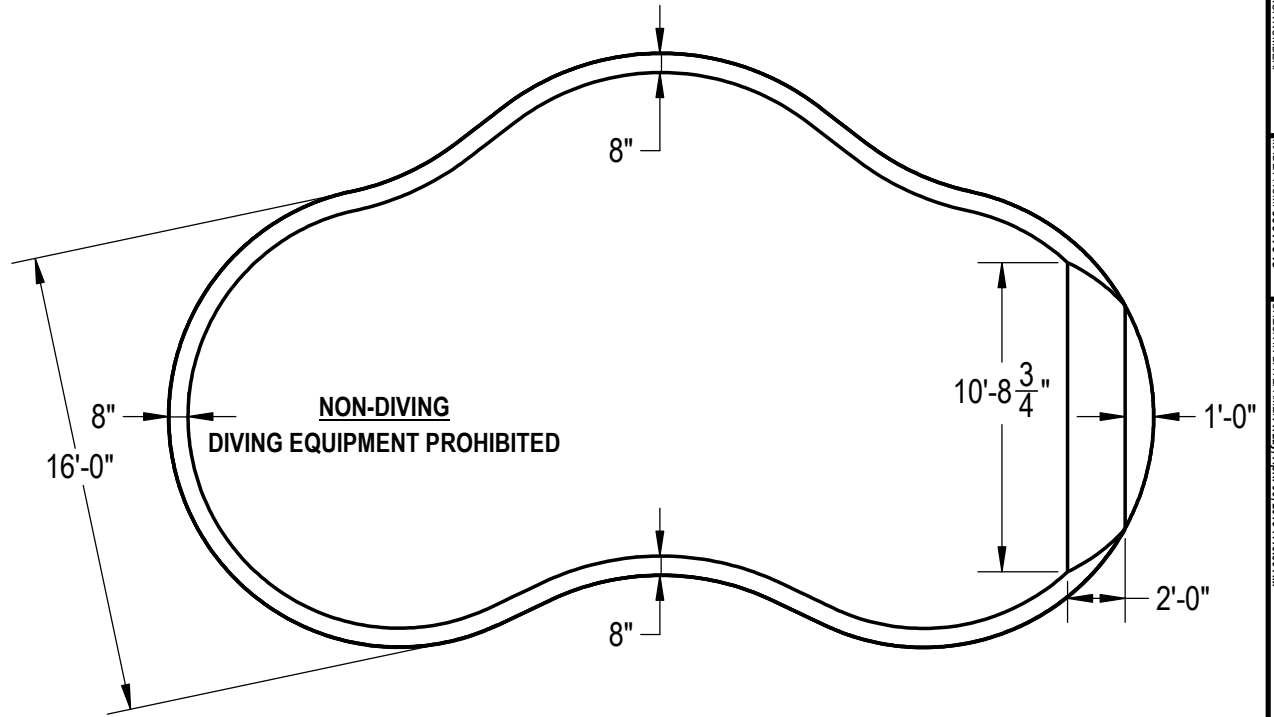
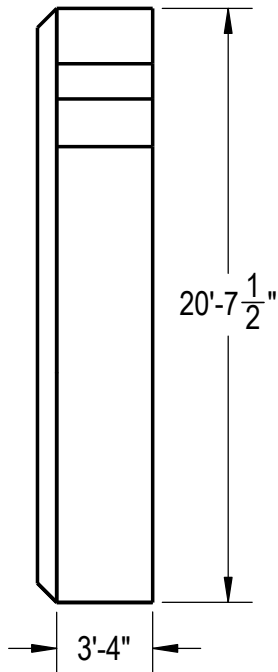
- ROUGH EXCAVATION SHOULD BE 2" DEEPER IN EACH INSTANCE.
- SOIL TO HAVE MINIMUM BEARING CAPACITY OF 1500 PSF.
- LOCATE TOP OF POOL AT LEAST 6" ABOVE THE SURROUNDING LAND ELEVATION.
- SEE "OVER DIG DETAIL" FOR EXCAVATION AROUND POOL.
- FILL VOIDS UNDER BASE OF PANELS AND TAMP WELL.
- BACK FILL WITH NON-EXPANSIVE MATERIAL.
- FOLLOW ALL CURRENT ANSI / APSP / ICC GUIDELINES FOR RESIDENTIAL POOLS

**IMPORTANT NOTES:**

THIS DOCUMENT IS FOR ILLUSTRATIVE PURPOSES ONLY. THE DEALER OR CONTRACTOR WHO SELLS OR INSTALLS YOUR POOL IS AN INDEPENDENT CONTRACTOR AND IS NOT AN AGENT OF THE MANUFACTURER. THE CONSTRUCTION METHODS ILLUSTRATED HERE ARE SUGGESTIONS AND APPLY ONLY TO NORMAL GROUND CONDITIONS. THERE MAY BE ADDITIONAL PRECAUTIONS AND/OR METHODS OF CONSTRUCTION. PROPER INSTALLATION IS THE RESPONSIBILITY OF THE DEALER/BUILDER/CONTRACTOR.

ITEM	FILE NAME	DESCRIPTION	CUSTOMER DRAWING #	VENDOR PART #	QTY.
1	PANEL_RADIUS	PANEL, 8' RADIUS, 8' LONG, LIGHT, 600 SERIES	HPSD8R8L	00001463	1
2	PANEL_RADIUS	PANEL, 8' RADIUS, 8' LONG, 1084, 600 SERIES	HPSD8R884	00000271	1
3	PANEL_RADIUS	PANEL, 8' RADIUS, 8' LONG, INLET, 600 SERIES	HPS8R8I	00000758	2
4	PANEL_RADIUS	PANEL, 8' RADIUS, 3' LONG, 600 SERIES	HPSD8R3	00000375	1
5	PANEL_RADIUS	PANEL, 8' RADIUS, 5' LONG, 600 SERIES	HPSD8R5	00001450	1
6	PANEL_RADIUS	PANEL, 8' RADIUS, 8' LONG, 600 SERIES	HPSD8R8	00000145	1
7	PANEL_RADIUS	PANEL, 9' RADIUS, 4' LONG, 600 SERIES	HPSD9R4	00000353	1
8	PANEL_RADIUS	PANEL, 9' RADIUS, 8', INLET OR LED, 600 SERIES	HPS9R8I	00000275	1
9	PANEL_STRAIGHT	PANEL, 2' LONG, 600 SERIES	HPSD102P	00000621	4
10	PANEL_RR	PANEL, 9' REVERSE RADIUS, 8' LONG, 600 SERIES	HPSD9RR8	00000436	1
11	PANEL_RR	PANEL, 9' REVERSE RADIUS, 4' LONG, 600 SERIES	HPSD9RR4	00000414	2
12	HS103N	STEP, 6' RADIUS, 3 TREAD	HS103N	HS103N	1
13	SBRACE	BRACE, FOLD OVER WITH TURNBUCKLE, STEEL, HPSFOB	HPSFOB	HPSFOB	17
14	BOLT_PACK	BOLT, FLANGE, 3/8-16 X 1", PACK (50)	HPS1916	HPS1916	4

ENGINEERING DRAWING NUMBER: <b>00018226</b>	WEIGHT: 147330.7 lbs	UNLESS OTHERWISE SPECIFIED DIMENSIONS ARE IN INCHES TOLERANCES DECIMALS: X ± .1 XX ± .01 XXX ± .001 XXXX ± .0005  ANGULAR: X ± 0.5 THIRD ANGLE PROJECTION	DESIGNED BY: <b>BUMPHREY</b>	CREATION DATE: 7/19/2013	<b>HYDRA POOLS</b>
	VOLUME: Inch <sup>3</sup>		DESIGNED BY: <b>JRITTENHOUSE</b>	DETAILED DATE: 4/6/2018	
	COLOR:		LAST REVISED BY: <b>rhouston</b>	LAST REVISED DATE: 4/6/2018	
	HEAT TREAT:		MATERIAL:	TITLE: <b>LAYOUT, 16' X 34', LAGOON, LEFT, 4' DEEP, FLAT BOTTOM, HS103N, LIGHT, 1084, 3-INLET, 600 SERIES</b>	
	FINISH:			PART NUMBER: <b>00018226</b>	
TEXTURE:		SCALE: 1:72	SIZE: <b>A</b>		



**Area: 524.31ft ^2**  
**Perimeter: 90.03ft**  
**Volume = 15486 US gallons**

**NOTES:**

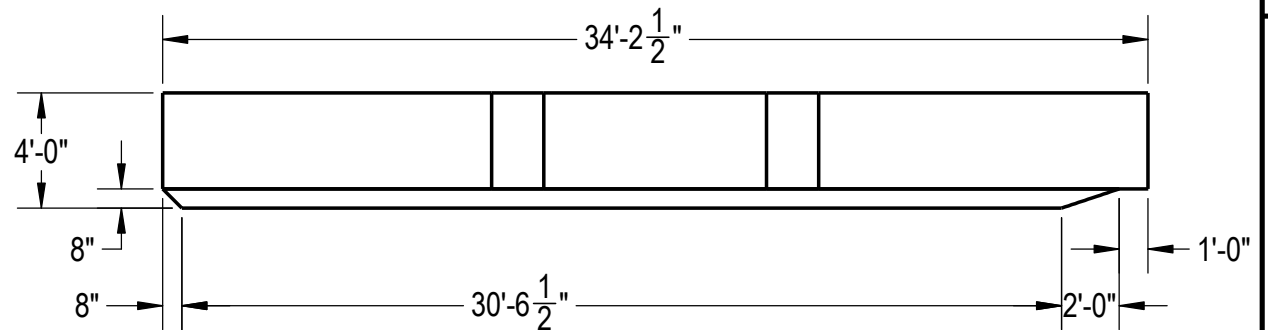
1. THESE ARE FINISHED DIMENSIONS READY FOR THE LINER.
2. DIMENSIONS ARE FROM INSIDE POOL PANELS.
3. ROPE AND FLOAT ASSEMBLY SHOULD BE INSTALLED IN ACCORDANCE WITH CURRENT ANSI/ASPS/ICC REGULATIONS
4. HYDRA LINER TRACK FOR STEPS IS INSTALLED WITH THE BARB FACING THE RISER WALL ON THE STEP.

**EXCAVATION NOTES:**

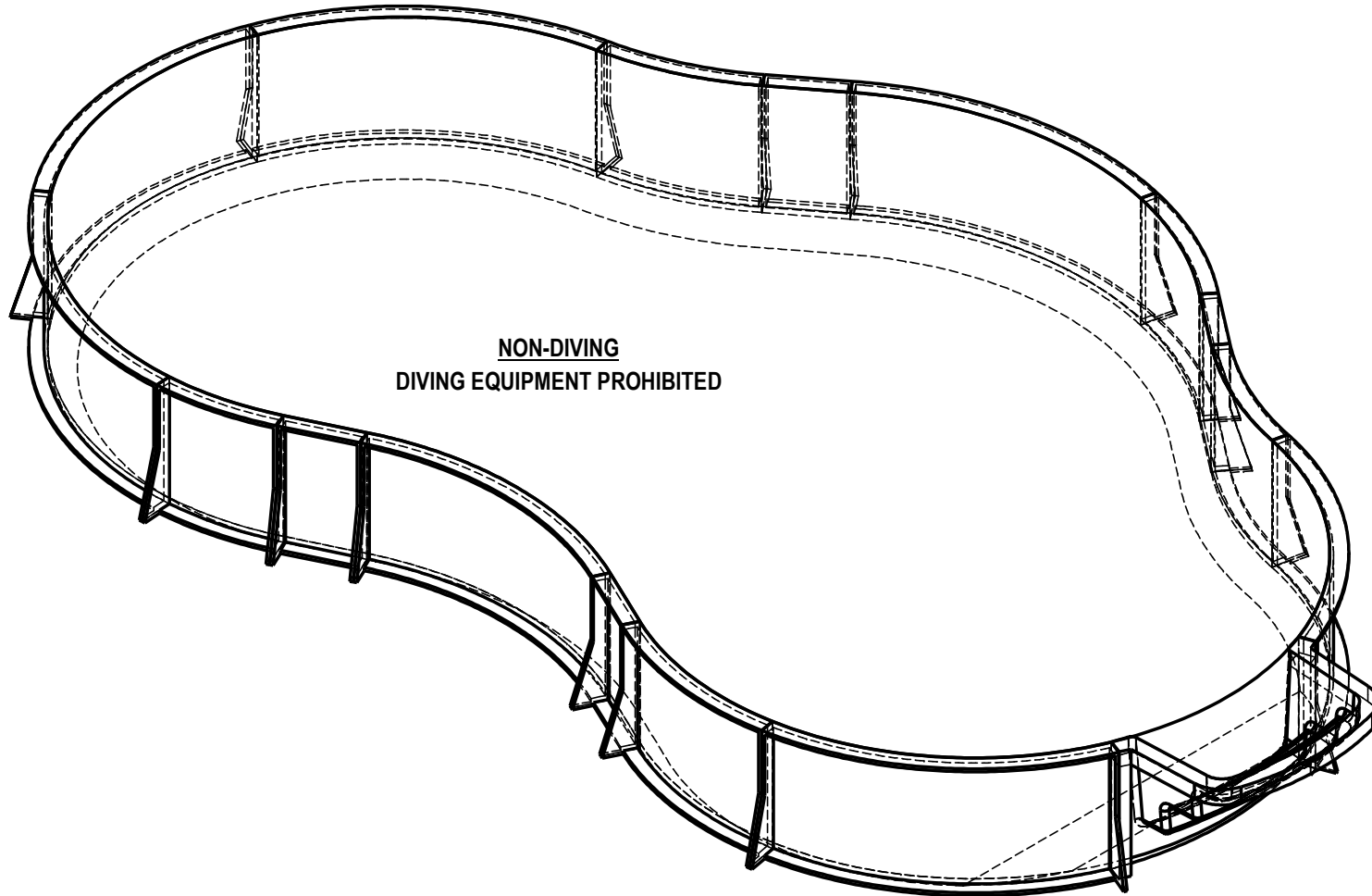
5. ROUGH EXCAVATION SHOULD BE 2" DEEPER IN EACH INSTANCE.
6. SOIL TO HAVE MINIMUM BEARING CAPACITY OF 1500 PSF.
7. LOCATE TOP OF POOL AT LEAST 6" ABOVE THE SURROUNDING LAND ELEVATION.
8. SEE "OVER DIG DETAIL" FOR EXCAVATION AROUND POOL.
9. FILL VOIDS UNDER BASE OF PANELS AND TAMP WELL.
10. BACK FILL WITH NON-EXPANSIVE MATERIAL.
11. FOLLOW ALL CURRENT ANSI / APSP / ICC GUIDELINES FOR RESIDENTIAL POOLS

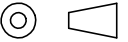
**IMPORTANT NOTES:**

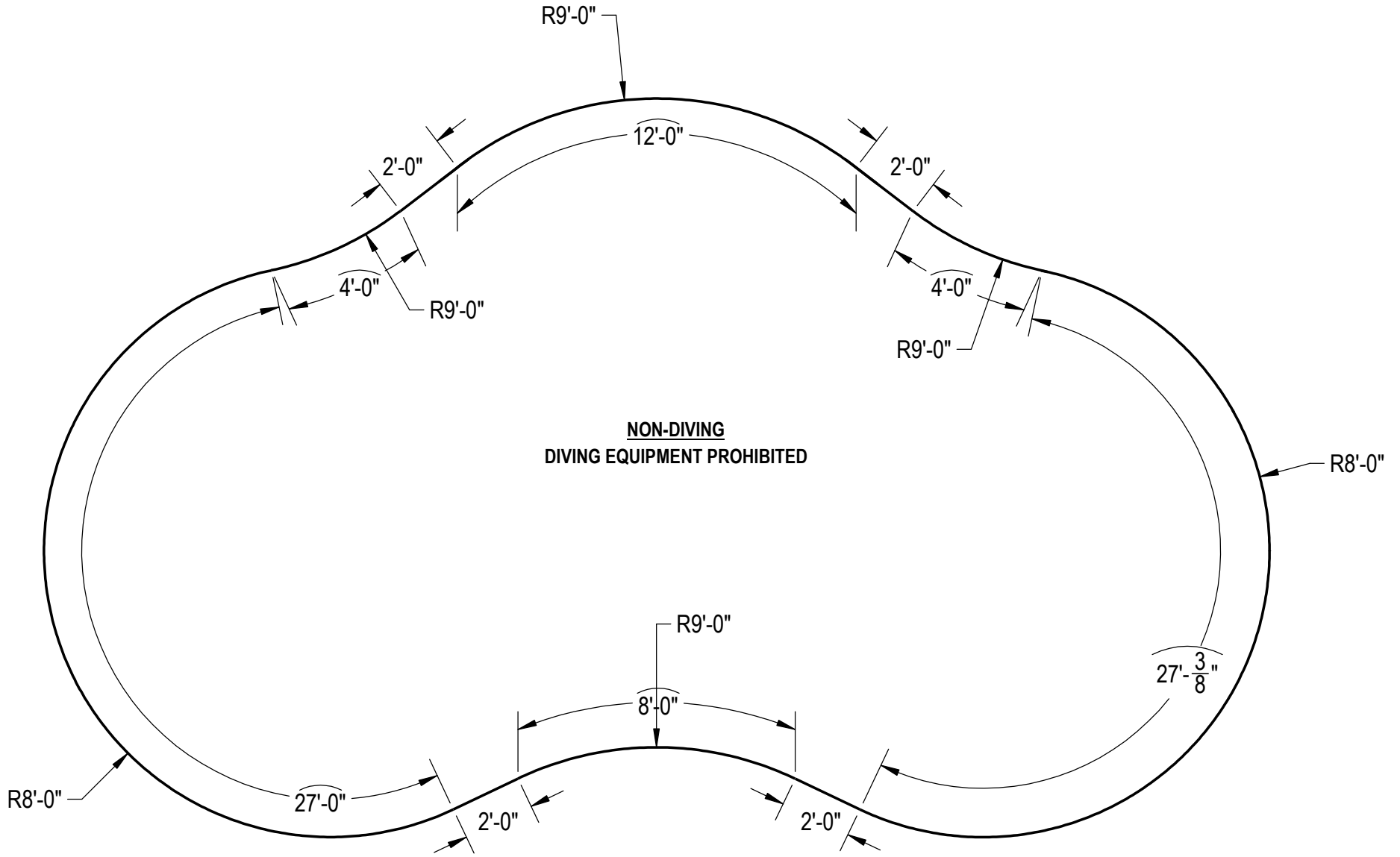
THIS DOCUMENT IS FOR ILLUSTRATIVE PURPOSES ONLY. THE DEALER OR CONTRACTOR WHO SELLS OR INSTALLS YOUR POOL IS AN INDEPENDENT CONTRACTOR AND IS NOT AN AGENT OF THE MANUFACTURER. THE CONSTRUCTION METHODS ILLUSTRATED HERE ARE SUGGESTIONS AND APPLY ONLY TO NORMAL GROUND CONDITIONS. THERE MAY BE ADDITIONAL PRECAUTIONS AND/OR METHODS OF CONSTRUCTION. PROPER INSTALLATION IS THE RESPONSIBILITY OF THE DEALER/BUILDER/CONTRACTOR.



ENGINEERING DRAWING NUMBER: <b>00018226</b>	WEIGHT:	<b>UNLESS OTHERWISE SPECIFIED</b> DIMENSIONS ARE IN INCHES TOLERANCES DECIMALS: X ± .1 XX ± .01 XXX ± .001 XXXX ± .0005  ANGULAR: X ± 0.5 THIRD ANGLE PROJECTION	DESIGNED BY:	CREATION DATE:	<b>HYDRA POOLS</b>  <b>LAYOUT, 16' X 34', LAGOON, LEFT, 4' DEEP, FLAT BOTTOM, HS103N, LIGHT, 1084, 3-INLET, 600 SERIES</b>
	lbs		BY <b>BUMPHREY</b>	<b>6/12/2013</b>	
	VOLUME:		Detailed by:	DETAILED DATE:	
	Inch <sup>3</sup>		<b>JRITTENHOUSE</b>	<b>4/6/2018</b>	
	NA		LAST REVISED BY:	LAST REVISED DATE:	
COLOR:	<b>rhouston</b>	<b>4/6/2018</b>	PART NUMBER:	SCALE:	SIZE:
HEAT TREAT:			<b>00018226</b>	<b>1:128</b>	<b>A</b>
NA				SHEET:	
FINISH:				<b>2 OF 4</b>	
TEXTURE:					
<b>00018226</b>					



ENGINEERING DRAWINGS NUMBER: <b>00018226</b>	WEIGHT: 147330.7 lbs	<b>UNLESS OTHERWISE SPECIFIED</b> DIMENSIONS ARE IN INCHES TOLERANCES DECIMALS: X ± .1 XX ± .01 XXX ± .001 XXXX ± .0005  ANGULAR: X ± 0.5 THIRD ANGLE PROJECTION 	DESIGNED BY: <b>BUMPHREY</b>	CREATION DATE: 7/19/2013	<b>HYDRA POOLS</b>  TITLE: LAYOUT, 16' X 34', LAGOON, LEFT, 4' DEEP, FLAT BOTTOM, HS103N, LIGHT, 1084, 3-INLET, 600 SERIES
	VOLUME: Inch <sup>3</sup>		DETAILED BY: <b>JRITTENHOUSE</b>	DETAILED DATE: 4/6/2018	
	COLOR:		LAST REVISED BY: <b>rhouston</b>	LAST REVISED DATE: 4/6/2018	
	HEAT TREAT:		MATERIAL:	PART NUMBER: <b>00018226</b>	
	FINISH:			SCALE: 1:48	
	TEXTURE:			SHEET: 3 OF 4	
					SIZE: <b>A</b>



**NON-DIVING  
DIVING EQUIPMENT PROHIBITED**

ENGINEERING DRAWING NUMBER: <b>00018226</b>	WEIGHT:	<b>UNLESS OTHERWISE SPECIFIED</b> DIMENSIONS ARE IN INCHES TOLERANCES DECIMALS: X ± .1 XX ± .01 XXX ± .001 XXXX ± .0005 ANGULAR: X ± 0.5 THIRD ANGLE PROJECTION 	DESIGNED BY:	CREATION DATE:	<b>HYDRA POOLS</b>
	lbs		<b>BUMPHREY</b>	<b>6/12/2013</b>	
	VOLUME:		DETAILED BY:	DETAILED DATE:	
	Inch <sup>3</sup>		<b>JRITTENHOUSE</b>	<b>4/6/2018</b>	TITLE: <b>LAYOUT, 16' X 34', LAGOON, LEFT, 4' DEEP, FLAT BOTTOM, HS103N, LIGHT, 1084, 3-INLET, 600 SERIES</b>
	COLOR:		LAST REVISED BY:	LAST REVISED DATE:	
	NA		<b>rhouston</b>	<b>4/6/2018</b>	
HEAT TREAT:	MATERIAL:	PART NUMBER:		SCALE:	SIZE:
NA		<b>00018226</b>		<b>1:48</b>	<b>A</b>
FINISH:				SHEET:	
NA				<b>4 OF 4</b>	
TEXTURE:					
<b>00018226</b>					