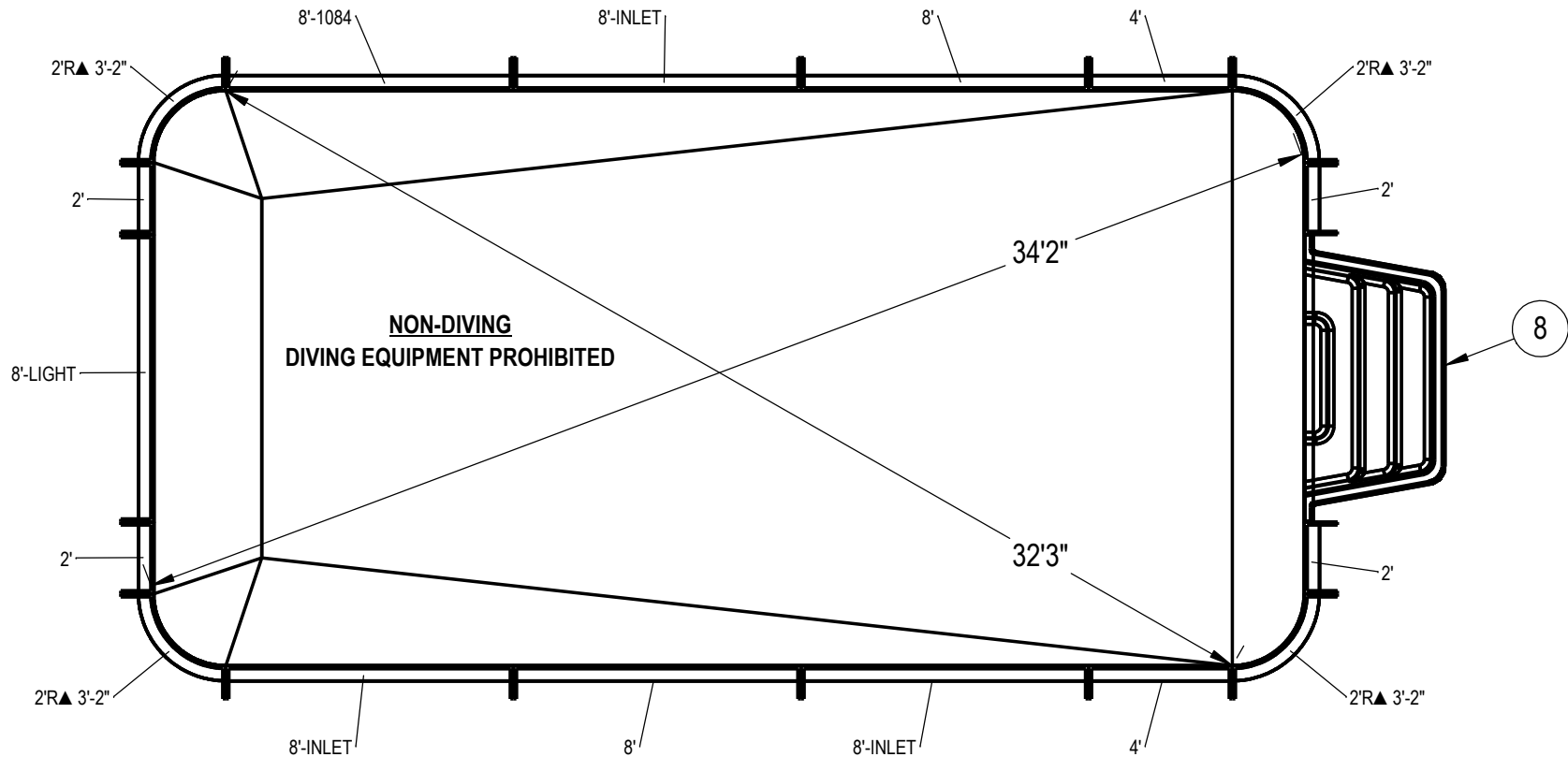


REVISION HISTORY				
REV.	DESCRIPTION	DATE	ECO	BY



**NOTES:**

1. THESE ARE FINISHED DIMENSIONS READY FOR THE LINER.
2. DIMENSIONS ARE FROM INSIDE POOL PANELS.
3. ROPE AND FLOAT ASSEMBLY SHOULD BE INSTALLED IN ACCORDANCE WITH CURRENT ANSI/ASPS/ICC REGULATIONS
4. HYDRA LINER TRACK FOR STEPS IS INSTALLED WITH THE BARB FACING THE RISER WALL ON THE STEP.

**EXCAVATION NOTES:**

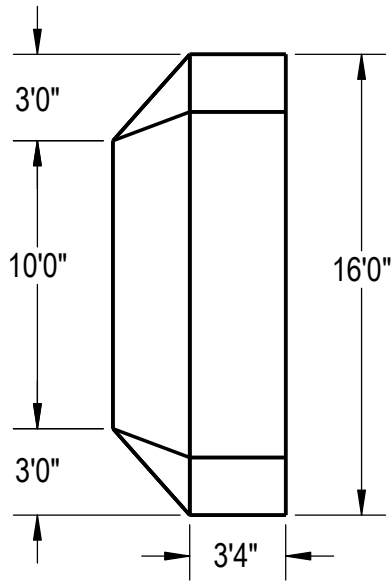
5. ROUGH EXCAVATION SHOULD BE 2" DEEPER IN EACH INSTANCE.
6. SOIL TO HAVE MINIMUM BEARING CAPACITY OF 1500 PSF.
7. LOCATE TOP OF POOL AT LEAST 6" ABOVE THE SURROUNDING LAND ELEVATION.
8. SEE "OVER DIG DETAIL" FOR EXCAVATION AROUND POOL.
9. FILL VOIDS UNDER BASE OF PANELS AND TAMP WELL.
10. BACK FILL WITH NON-EXPANSIVE MATERIAL.
11. FOLLOW ALL CURRENT ANSI / APSP / ICC GUIDELINES FOR RESIDENTIAL POOLS

**IMPORTANT NOTES:**

THIS DOCUMENT IS FOR ILLUSTRATIVE PURPOSES ONLY. THE DEALER OR CONTRACTOR WHO SELLS OR INSTALLS YOUR POOL IS AN INDEPENDENT CONTRACTOR AND IS NOT AN AGENT OF THE MANUFACTURER. THE CONSTRUCTION METHODS ILLUSTRATED HERE ARE SUGGESTIONS AND APPLY ONLY TO NORMAL GROUND CONDITIONS. THERE MAY BE ADDITIONAL PRECAUTIONS AND/OR METHODS OF CONSTRUCTION. PROPER INSTALLATION IS THE RESPONSIBILITY OF THE DEALER/BUILDER/CONTRACTOR.

ITEM	FILE NAME	DESCRIPTION	CUSTOMER DRAWING #	VENDOR PART #	QTY.
1	PANEL, RADIUS	PANEL, 2' RADIUS, 3-2" LONG, 700 SERIES	HPSE2R	0002541	4
2	PANEL, STRAIGHT	PANEL, 4' LONG, 700 SERIES	HPSE104P	00002723	2
3	PANEL, STRAIGHT	PANEL, 8' LONG, 1084, 700 SERIES	HPSE10884	00004966	1
4	PANEL, STRAIGHT	PANEL, 8' LONG, INLET, 700 SERIES	HPSE108I	00004969	3
5	PANEL, STRAIGHT	PANEL, 8' LONG, 700 SERIES	HPSE108P	00004961	2
6	PANEL, STRAIGHT	PANEL, 2' LONG, 700 SERIES	HPSE102P	00005483	4
7	PANEL, STRAIGHT	PANEL, 8' LONG, LIGHT, 700 SERIES	HPSE108L	00004962	1
8	HS110N	STEP, 8', TWIN SEAT, 4 TREAD	HS110N	HS110N	1
9	SBRACE	BRACE, FOLD OVER WITH TURNBUCKLE, STEEL, HPSFOB	HPSFOB	HPSFOB	18
10	BOLT, PACK	BOLT, FLANGE, 3/8-16 X 1", PACK (50)	HPS1916	HPS1916	5

ENGINEERING DRAWING NUMBER: <b>00018165</b>	WEIGHT:	<b>UNLESS OTHERWISE SPECIFIED</b> DIMENSIONS ARE IN INCHES TOLERANCES DECIMALS: X ± .1 XX ± .01 XXX ± .001 XXXX ± .0005  ANGULAR: X ± 0.5 THIRD ANGLE PROJECTION 	DESIGNED BY: <b>BUMPHREY</b>	CREATION DATE: <b>5/16/2013</b>	<b>HYDRA POOLS</b>  TITLE: <b>LAYOUT, 16' X 32', RECTANGLE, 2' RADIUS, 6' DEEP, WEDGE BOTTOM, LIGHT, HS110N, 1084, 3-INLETS, 700 SERIES</b>  PART NUMBER: <div style="font-size: 2em; font-weight: bold;">00018165</div>
	VOLUME: Inch <sup>3</sup>		DETAILED BY: <b>JRITTENHOUSE</b>	DETAILED DATE: <b>4/4/2018</b>	
	COLOR:		LAST REVISED BY: <b>rhouston</b>	LAST REVISED DATE: <b>4/4/2018</b>	
	HEAT TREAT:		MATERIAL:	SCALE: <b>1:60</b>	
FINISH:			SHEET: <b>1 OF 3</b>	SIZE: <b>A</b>	
TEXTURE:					



**Area: 508.57ft ^2**  
**Perimeter: 92.57ft**  
**Volume = 16859 US gallons**

**NOTES:**

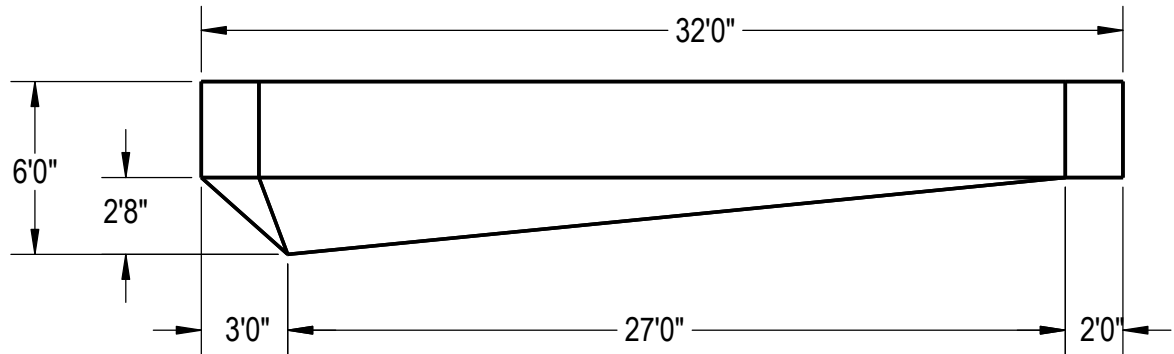
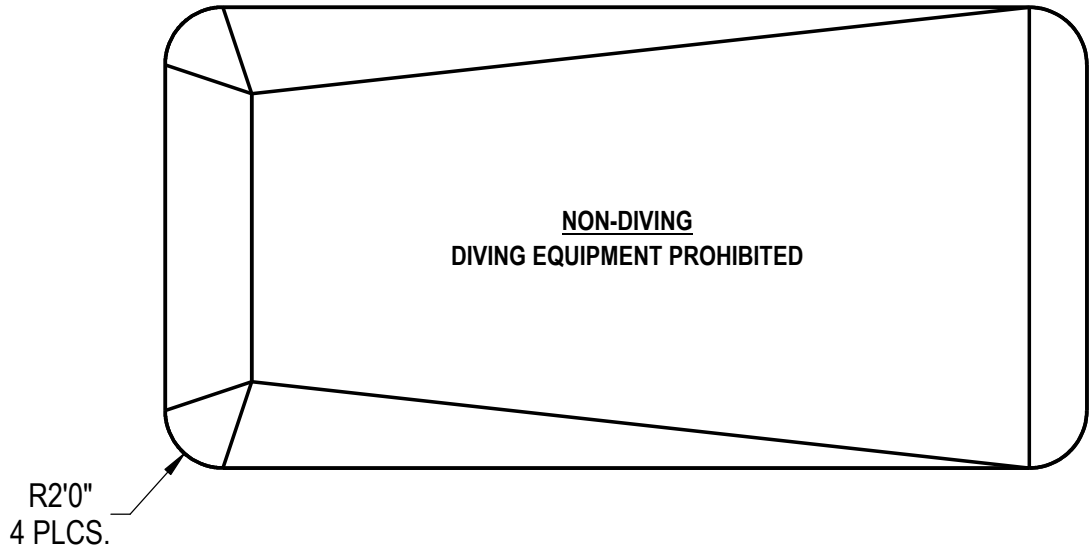
1. THESE ARE FINISHED DIMENSIONS READY FOR THE LINER.
2. DIMENSIONS ARE FROM INSIDE POOL PANELS.
3. ROPE AND FLOAT ASSEMBLY SHOULD BE INSTALLED IN ACCORDANCE WITH CURRENT ANSI/APSP/ICC REGULATIONS
4. HYDRA LINER TRACK FOR STEPS IS INSTALLED WITH THE BARB FACING THE RISER WALL ON THE STEP.

**EXCAVATION NOTES:**

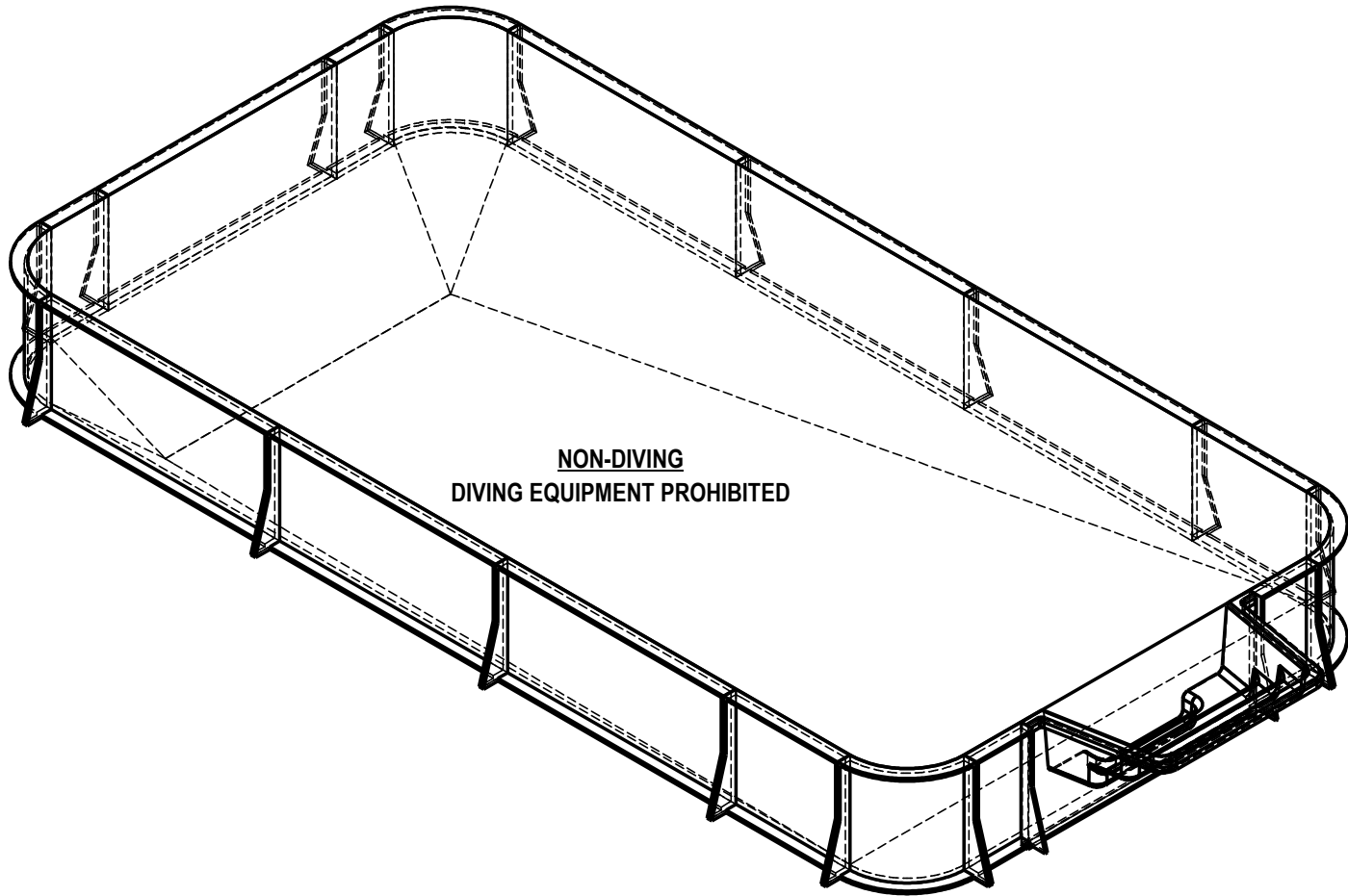
5. ROUGH EXCAVATION SHOULD BE 2" DEEPER IN EACH INSTANCE.
6. SOIL TO HAVE MINIMUM BEARING CAPACITY OF 1500 PSF.
7. LOCATE TOP OF POOL AT LEAST 6" ABOVE THE SURROUNDING LAND ELEVATION.
8. SEE "OVER DIG DETAIL" FOR EXCAVATION AROUND POOL.
9. FILL VOIDS UNDER BASE OF PANELS AND TAMP WELL.
10. BACK FILL WITH NON-EXPANSIVE MATERIAL.
11. FOLLOW ALL CURRENT ANSI / APSP / ICC GUIDELINES FOR RESIDENTIAL POOLS

**IMPORTANT NOTES:**

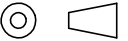
THIS DOCUMENT IS FOR ILLUSTRATIVE PURPOSES ONLY. THE DEALER OR CONTRACTOR WHO SELLS OR INSTALLS YOUR POOL IS AN INDEPENDENT CONTRACTOR AND IS NOT AN AGENT OF THE MANUFACTURER. THE CONSTRUCTION METHODS ILLUSTRATED HERE ARE SUGGESTIONS AND APPLY ONLY TO NORMAL GROUND CONDITIONS. THERE MAY BE ADDITIONAL PRECAUTIONS AND/OR METHODS OF CONSTRUCTION. PROPER INSTALLATION IS THE RESPONSIBILITY OF THE DEALER/BUILDER/CONTRACTOR.



ENGINEERING DRAWING NUMBER: <b>00018165</b>	WEIGHT:	UNLESS OTHERWISE SPECIFIED DIMENSIONS ARE IN INCHES TOLERANCES DECIMALS: X ± .1 XX ± .01 XXX ± .001 XXXX ± .0005  ANGULAR: X ± 0.5 THIRD ANGLE PROJECTION	DESIGNED BY:	CREATION DATE:	<b>HYDRA POOLS</b>		
	lbs		<b>BUMPHREY</b>	<b>6/4/2013</b>			
	VOLUME:			DETAILED BY:	DETAILED DATE:	TITLE: <b>LAYOUT, 16' X 32', RECTANGLE, 2' RADIUS, 6' DEEP, WEDGE BOTTOM, LIGHT, HS110N, 1084, 3-INLETS, 700 SERIES</b>	
	Inch <sup>3</sup>			<b>JRITTENHOUSE</b>	<b>4/4/2018</b>		
	COLOR:			LAST REVISED BY:	LAST REVISED DATE:		
NA		<b>rhouston</b>	<b>4/4/2018</b>	<b>00018165</b>	<b>1:96</b>	<b>A</b>	
HEAT TREAT:		MATERIAL:			SHEET:		
NA					<b>2 OF 3</b>		
FINISH:							
NA							
TEXTURE:							
NA							



**NON-DIVING  
 DIVING EQUIPMENT PROHIBITED**

ENGINEERING DRAWINGS NUMBER: <b>00018165</b>	WEIGHT:	<b>UNLESS OTHERWISE SPECIFIED</b> DIMENSIONS ARE IN INCHES TOLERANCES DECIMALS: X ± .1 XX ± .01 XXX ± .001 XXXX ± .0005  ANGULAR: X ± 0.5 THIRD ANGLE PROJECTION 	DESIGNED BY:	CREATION DATE:	<b>HYDRA POOLS</b>		
	lbs		<b>BUMPHREY</b>	<b>5/16/2013</b>			
	VOLUME:		MATERIAL:	DETAILED BY:	DETAILED DATE:	TITLE: <b>LAYOUT, 16' X 32', RECTANGLE, 2' RADIUS, 6' DEEP,                  WEDGE BOTTOM, LIGHT, HS110N, 1084, 3-INLETS, 700                  SERIES</b>	
	Inch <sup>3</sup>			<b>JRITTENHOUSE</b>	<b>4/4/2018</b>		
	COLOR:			LAST REVISED BY:	LAST REVISED DATE:		
	NA			<b>rhouston</b>	<b>4/4/2018</b>	SCALE:	SIZE:
HEAT TREAT:				1:60	<b>A</b>		
NA			SHEET:				
FINISH:			3 OF 3				
TEXTURE:							
NA							