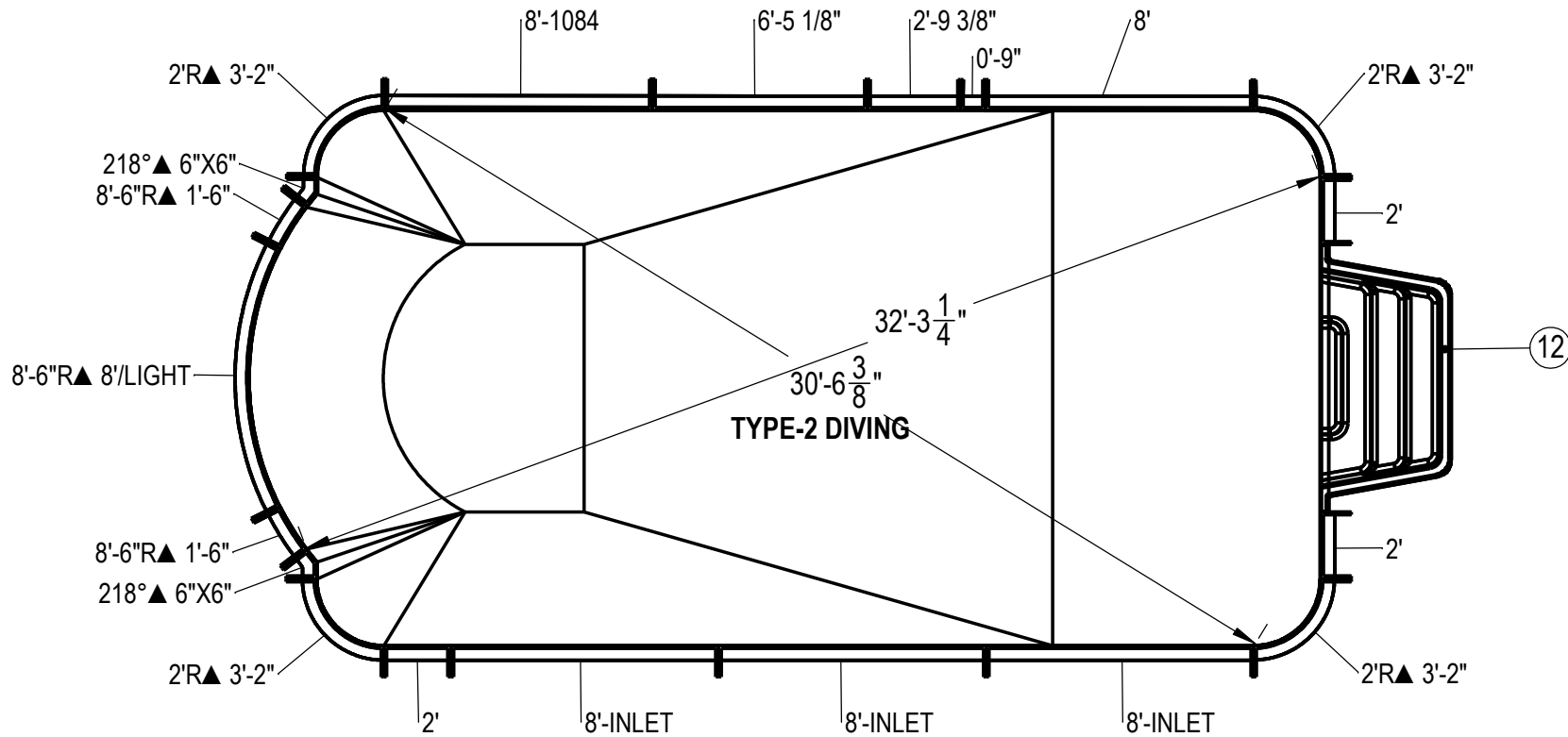


REVISION HISTORY			
REV.	DESCRIPTION	DATE	BY
A	RELEASED FOR QUOTE	4/4/2018	LNELSON



NOTES:

- THESE ARE FINISHED DIMENSIONS READY FOR THE LINER.
- DIMENSIONS ARE FROM INSIDE POOL PANELS.
- ROPE AND FLOAT ASSEMBLY SHOULD BE INSTALLED IN ACCORDANCE WITH CURRENT ANSI/ASPS/ICC REGULATIONS
- HYDRA LINER TRACK FOR STEPS IS INSTALLED WITH THE BARB FACING THE RISER WALL ON THE STEP.

EXCAVATION NOTES:

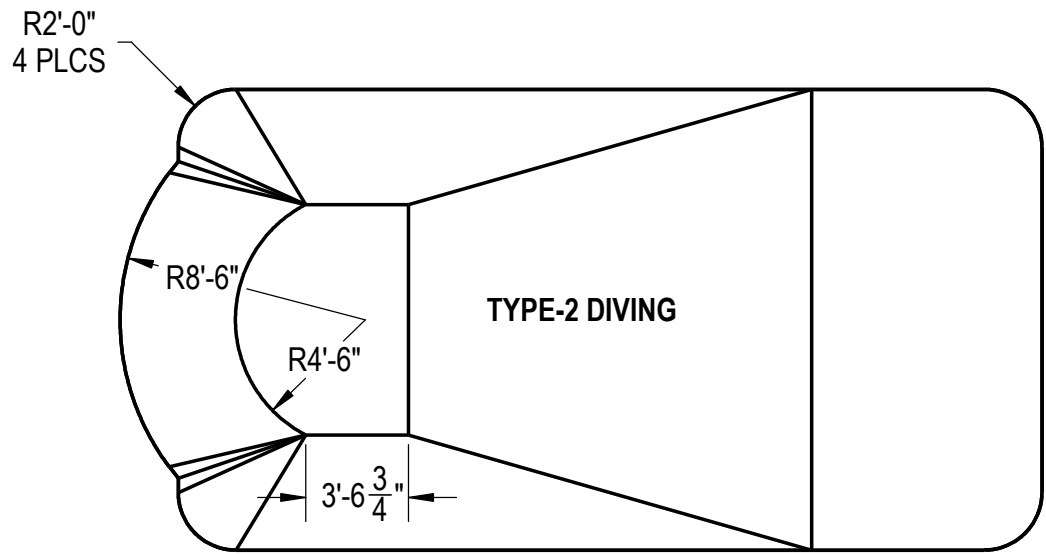
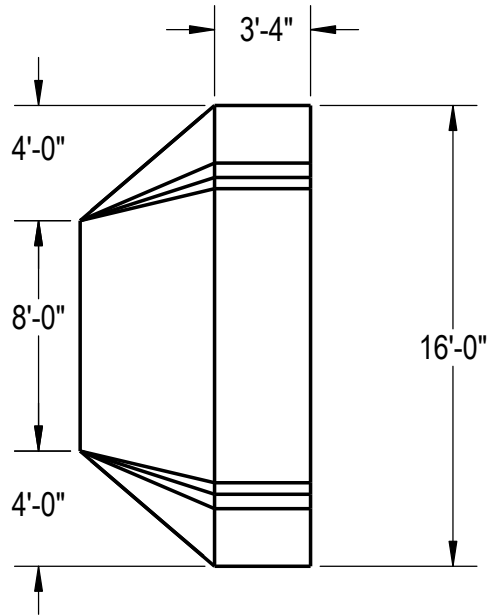
- ROUGH EXCAVATION SHOULD BE 2" DEEPER IN EACH INSTANCE.
- SOIL TO HAVE MINIMUM BEARING CAPACITY OF 1500 PSF.
- LOCATE TOP OF POOL AT LEAST 6" ABOVE THE SURROUNDING LAND ELEVATION.
- SEE "OVER DIG DETAIL" FOR EXCAVATION AROUND POOL.
- FILL VOIDS UNDER BASE OF PANELS AND TAMP WELL.
- BACK FILL WITH NON-EXPANSIVE MATERIAL.
- FOLLOW ALL CURRENT ANSI / APSP / ICC GUIDELINES FOR RESIDENTIAL POOLS

IMPORTANT NOTES:

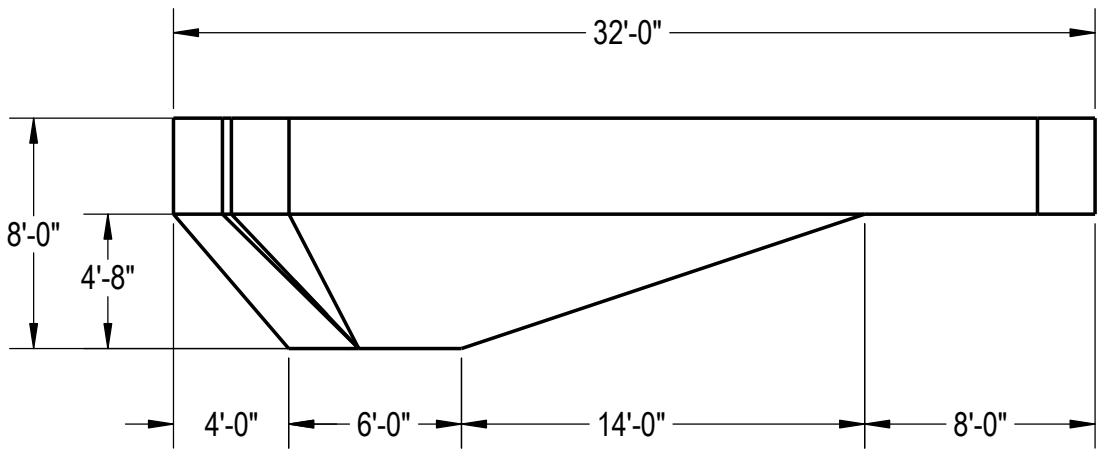
THIS DOCUMENT IS FOR ILLUSTRATIVE PURPOSES ONLY. THE DEALER OR CONTRACTOR WHO SELLS OR INSTALLS YOUR POOL IS AN INDEPENDENT CONTRACTOR AND IS NOT AN AGENT OF THE MANUFACTURER. THE CONSTRUCTION METHODS ILLUSTRATED HERE ARE SUGGESTIONS AND APPLY ONLY TO NORMAL GROUND CONDITIONS. THERE MAY BE ADDITIONAL PRECAUTIONS AND/OR METHODS OF CONSTRUCTION. PROPER INSTALLATION IS THE RESPONSIBILITY OF THE DEALER/BUILDER/CONTRACTOR.

ITEM	FILE NAME	DESCRIPTION	CUSTOMER DRAWING #	VENDOR PART #	QTY.
1	PANEL, RADIUS	PANEL, 2' RADIUS, 3-2" LONG, 600 SERIES	HPSD2R	0000287	4
2	PANEL, RADIUS	PANEL, 8'-6" RADIUS, 8' LONG, LIGHT, 600 SERIES	HPSCR8	00003123	1
3	PANEL, RADIUS	PANEL, 8'-6" IN RADIUS, 1'-6" LONG, 600 SERIES	HPSCR2	00010173	2
4	PANEL, STRAIGHT	PANEL, 2' LONG, 600 SERIES	HPSD102P	00000621	3
5	PANEL, STRAIGHT	PANEL, 8' LONG, INLET, 600 SERIES	HPSD108I	00000699	3
6	PANEL, STRAIGHT	PANEL, 8' LONG, 1084, 600 SERIES	HPSD10884	00002006	1
7	PANEL, STRAIGHT	PANEL, 6'-5 1/8" LONG, 600 SERIES	HPSCS7	00002951	1
8	PANEL, STRAIGHT	PANEL, 2'-9 3/8" LONG, 600 SERIES	HPSC3	00006885	1
9	PANEL, STRAIGHT	PANEL, 0'-9" LONG, 600 SERIES	HPSD9P	00001694	1
10	PANEL, STRAIGHT	PANEL, 8' LONG, 600 SERIES	HPSD108P	00000687	1
11	PANEL, ANGLE	PANEL, L, 6" X 6" X 218°, 600 SERIES	HPSC1	00010139	2
12	HS110N	STEP, 8', TWIN SEAT, 4 TREAD	HS110N	HS110N	1
13	SBRACE	BRACE, FOLD OVER WITH TURNBUCKLE, STEEL, HPSFOB	HPSFOB	HPSFOB	21
14	BOLT, PACK	BOLT, FLANGE, 3/8-16 X 1", PACK (50)	HPS1916	HPS1916	5

ENGINEERING DRAWING NUMBER: 00018172	WEIGHT: 264077.8 lbs	UNLESS OTHERWISE SPECIFIED DIMENSIONS ARE IN INCHES TOLERANCES DECIMALS: X ± .1 XX ± .01 XXX ± .001 XXXX ± .0005 ANGULAR: X ± 0.5 THIRD ANGLE PROJECTION	DESIGNED BY: LNELSON	CREATION DATE: 10/8/2015	HYDRA POOLS	
	VOLUME: Inch³		DETAILED BY: LNELSON	DETAILED DATE: 4/4/2018		
	COLOR:		LAST REVISED BY: rhouston	LAST REVISED DATE: 4/4/2018	TITLE: LAYOUT, 16' X 32', ROMAN SINGLE, 2' RADIUS, 8' DEEP, HS110N, LIGHT, 3- INLET, 1084, 600 SERIES	
	HEAT TREAT:		MATERIAL:	PART NUMBER: 00018172		
FINISH:					SHEET: 1 OF 4	
TEXTURE:						



Area: 491.52ft ^2
Perimeter: 89.50ft
Volume = 18522 US gallons



NOTES:

- THESE ARE FINISHED DIMENSIONS READY FOR THE LINER.
- DIMENSIONS ARE FROM INSIDE POOL PANELS.
- ROPE AND FLOAT ASSEMBLY SHOULD BE INSTALLED IN ACCORDANCE WITH CURRENT ANSI/ASPS/ICC REGULATIONS
- HYDRA LINER TRACK FOR STEPS IS INSTALLED WITH THE BARB FACING THE RISER WALL ON THE STEP.

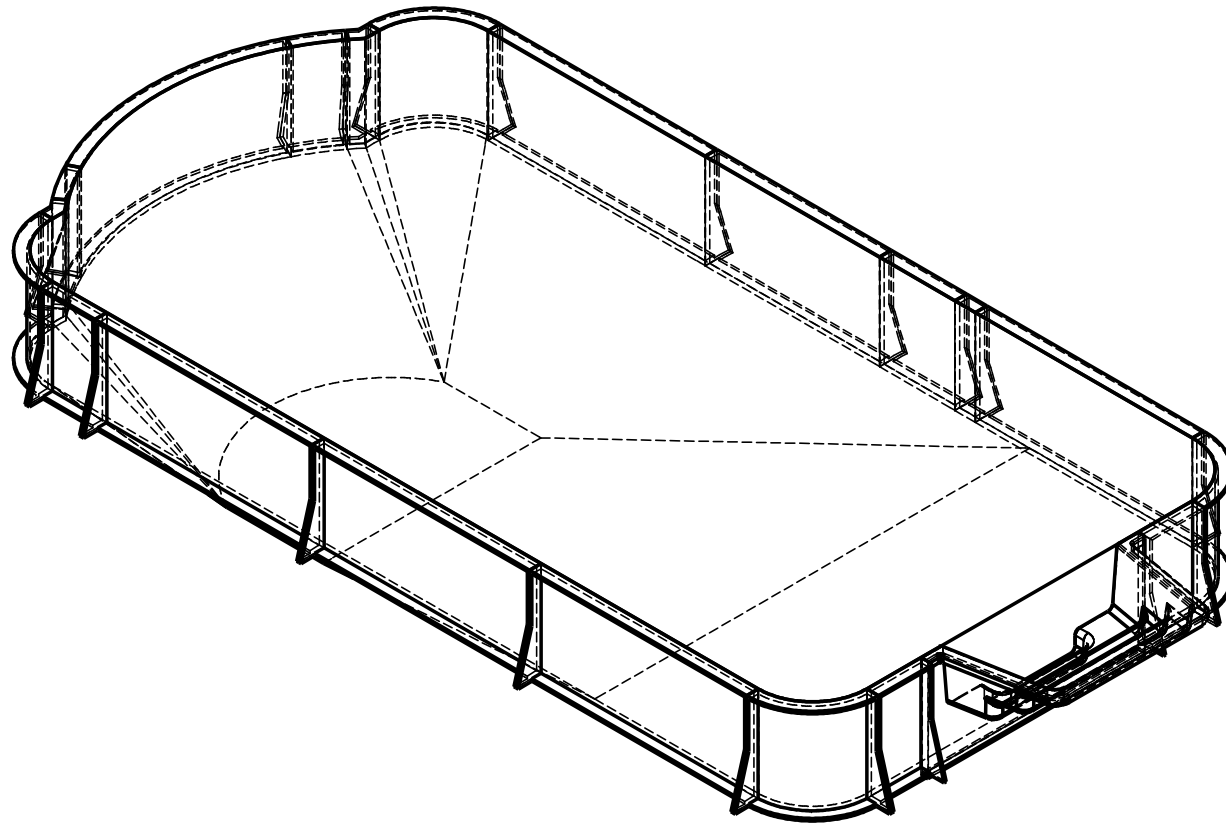
EXCAVATION NOTES:

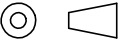
- ROUGH EXCAVATION SHOULD BE 2" DEEPER IN EACH INSTANCE.
- SOIL TO HAVE MINIMUM BEARING CAPACITY OF 1500 PSF.
- LOCATE TOP OF POOL AT LEAST 6" ABOVE THE SURROUNDING LAND ELEVATION.
- SEE "OVER DIG DETAIL" FOR EXCAVATION AROUND POOL.
- FILL VOIDS UNDER BASE OF PANELS AND TAMP WELL.
- BACK FILL WITH NON-EXPANSIVE MATERIAL.
- FOLLOW ALL CURRENT ANSI / APSP / ICC GUIDELINES FOR RESIDENTIAL POOLS

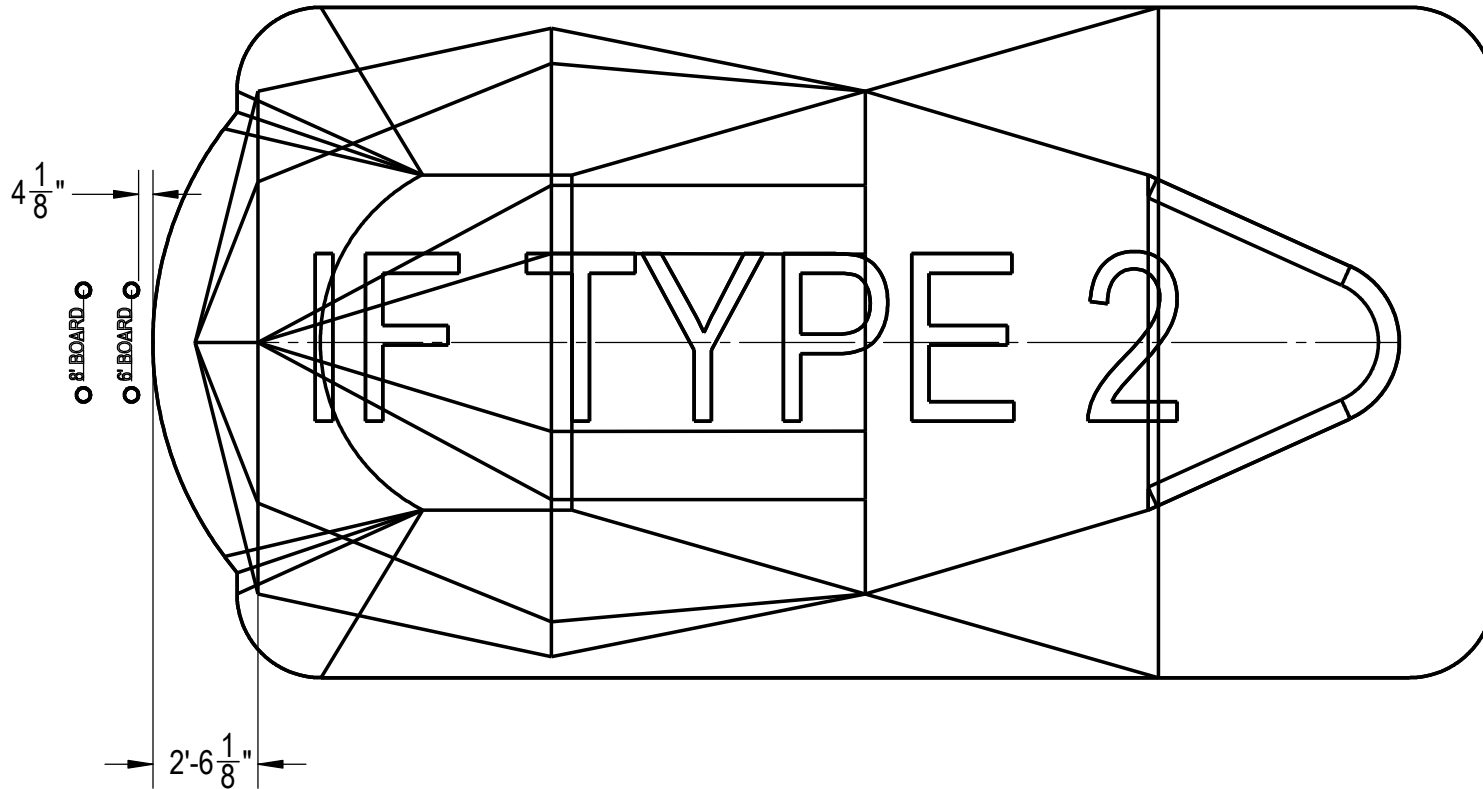
IMPORTANT NOTES:

THIS DOCUMENT IS FOR ILLUSTRATIVE PURPOSES ONLY. THE DEALER OR CONTRACTOR WHO SELLS OR INSTALLS YOUR POOL IS AN INDEPENDENT CONTRACTOR AND IS NOT AN AGENT OF THE MANUFACTURER. THE CONSTRUCTION METHODS ILLUSTRATED HERE ARE SUGGESTIONS AND APPLY ONLY TO NORMAL GROUND CONDITIONS. THERE MAY BE ADDITIONAL PRECAUTIONS AND/OR METHODS OF CONSTRUCTION. PROPER INSTALLATION IS THE RESPONSIBILITY OF THE DEALER/BUILDER/CONTRACTOR.

ENGINEERING DRAWING NUMBER: 00018172	WEIGHT: 154574.333 lbs	UNLESS OTHERWISE SPECIFIED DIMENSIONS ARE IN INCHES TOLERANCES DECIMALS: X ± .1 XX ± .01 XXX ± .001 XXXX ± .0005 ANGULAR: X ± 0.5 THIRD ANGLE PROJECTION	DESIGNED BY: LNELSON	CREATION DATE: 10/8/2015	HYDRA POOLS	
	VOLUME: 4278604.025 Inch³		DETAILED BY: LNELSON	DETAILED DATE: 4/4/2018		
	COLOR: NA		LAST REVISED BY: rhouston	LAST REVISED DATE: 4/4/2018	TITLE: LAYOUT, 16' X 32', ROMAN SINGLE, 2' RADIUS, 8' DEEP, HS110N, LIGHT, 3- INLET, 1084, 600 SERIES	
	HEAT TREAT: NA		MATERIAL: Material <not specified>			
FINISH: NA					SHEET: 2 OF 4	
TEXTURE: NA						



ENGINEERING DRAWING NUMBER: 00018172	WEIGHT: 264077.8 lbs	UNLESS OTHERWISE SPECIFIED DIMENSIONS ARE IN INCHES TOLERANCES DECIMALS: X ± .1 XX ± .01 XXX ± .001 XXXX ± .0005 ANGULAR: X ± 0.5 THIRD ANGLE PROJECTION 	DESIGNED BY: LNELSON	CREATION DATE: 10/8/2015	HYDRA POOLS				
	VOLUME: Inch³		DETAILED BY: LNELSON	DETAILED DATE: 4/4/2018					
	COLOR:		LAST REVISED BY: rhouston	LAST REVISED DATE: 4/4/2018	TITLE: LAYOUT, 16' X 32', ROMAN SINGLE, 2' RADIUS, 8' DEEP, HS110N, LIGHT, 3- INLET, 1084, 600 SERIES				
	HEAT TREAT:		MATERIAL:	PART NUMBER:					
	FINISH:			00018172			SCALE: 1:128	A	
	TEXTURE:						SHEET: 3 OF 4		



ENGINEERING DRAWING NUMBER: 00018172	WEIGHT: 264077.8 lbs	UNLESS OTHERWISE SPECIFIED DIMENSIONS ARE IN INCHES TOLERANCES DECIMALS: X ± .1 XX ± .01 XXX ± .001 XXXX ± .0005 ANGULAR: X ± 0.5 THIRD ANGLE PROJECTION 	DESIGNED BY: LNELSON	CREATION DATE: 10/8/2015	HYDRA POOLS
	VOLUME: Inch ³		DETAILED BY: LNELSON	DETAILED DATE: 4/4/2018	
	COLOR:		LAST REVISED BY: rhouston	LAST REVISED DATE: 4/4/2018	
	HEAT TREAT:		TITLE: LAYOUT, 16' X 32', ROMAN SINGLE, 2' RADIUS, 8' DEEP, HS110N, LIGHT, 3- INLET, 1084, 600 SERIES		
	FINISH:		PART NUMBER: 00018172		
	TEXTURE:		SCALE: 1:128		SIZE: A
		SHEET: 4 OF 4			