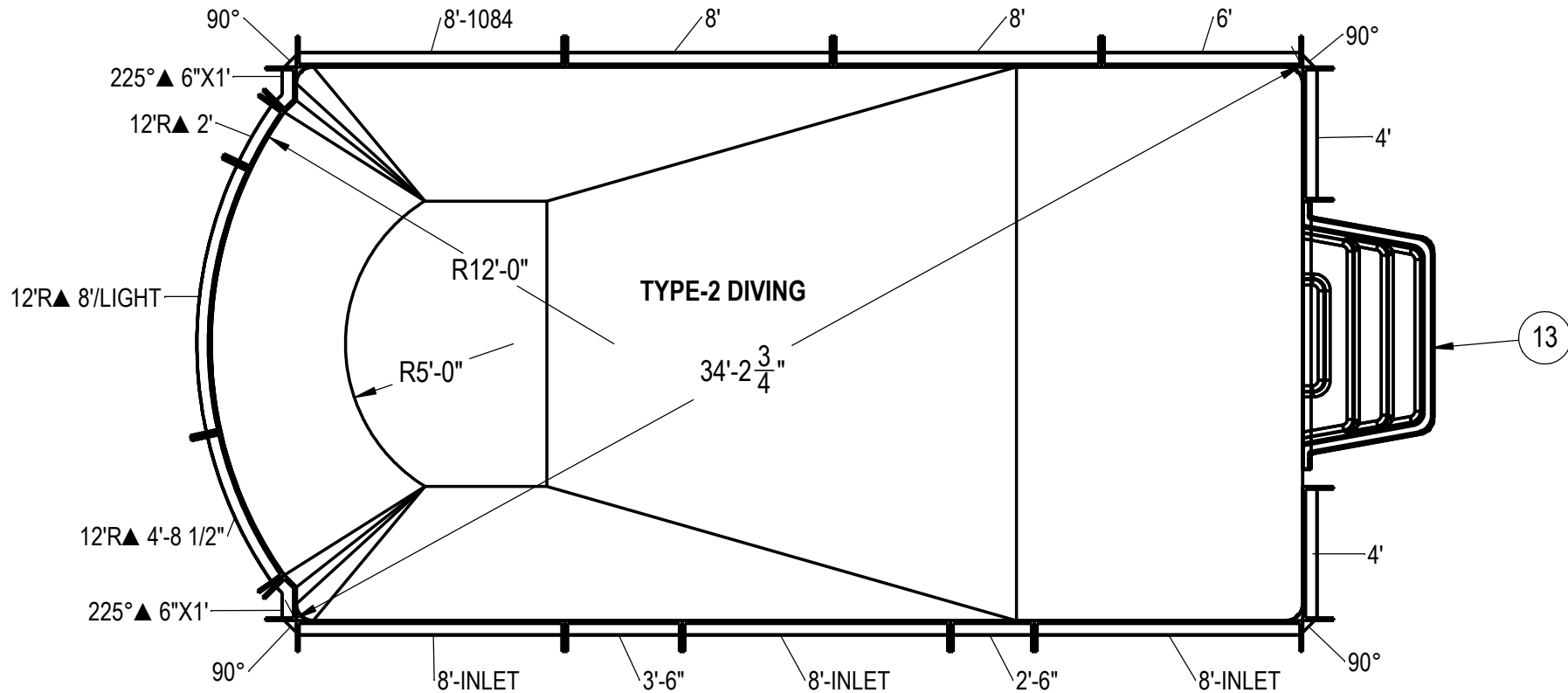


REVISION HISTORY			
REV.	DESCRIPTION	DATE	BY

MIRROR NUMBER: 00014829
CHECK IN DATE/TIME: Thursday, April 05, 2018 7:22:00 AM



NOTES:

- THESE ARE FINISHED DIMENSIONS READY FOR THE LINER.
- DIMENSIONS ARE FROM INSIDE POOL PANELS.
- ROPE AND FLOAT ASSEMBLY SHOULD BE INSTALLED IN ACCORDANCE WITH CURRENT ANSI/ASPS/ICC REGULATIONS
- HYDRA LINER TRACK FOR STEPS IS INSTALLED WITH THE BARB FACING THE RISER WALL ON THE STEP.

EXCAVATION NOTES:

- ROUGH EXCAVATION SHOULD BE 2" DEEPER IN EACH INSTANCE.
- SOIL TO HAVE MINIMUM BEARING CAPACITY OF 1500 PSF.
- LOCATE TOP OF POOL AT LEAST 6" ABOVE THE SURROUNDING LAND ELEVATION.
- SEE "OVER DIG DETAIL" FOR EXCAVATION AROUND POOL.
- FILL VOIDS UNDER BASE OF PANELS AND TAMP WELL.
- BACK FILL WITH NON-EXPANSIVE MATERIAL.
- FOLLOW ALL CURRENT ANSI / APSP / ICC GUIDELINES FOR RESIDENTIAL POOLS

IMPORTANT NOTES:

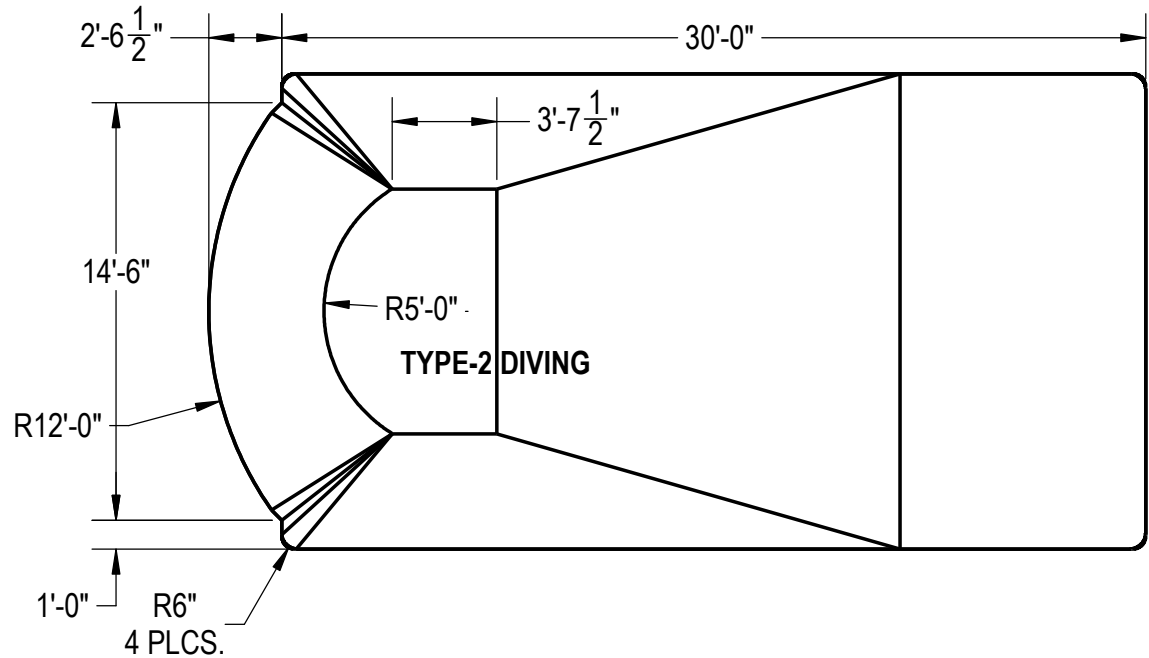
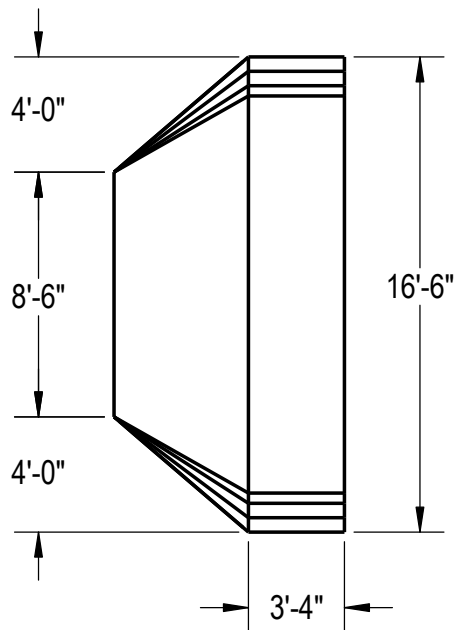
THIS DOCUMENT IS FOR ILLUSTRATIVE PURPOSES ONLY. THE DEALER OR CONTRACTOR WHO SELLS OR INSTALLS YOUR POOL IS AN INDEPENDENT CONTRACTOR AND IS NOT AN AGENT OF THE MANUFACTURER. THE CONSTRUCTION METHODS ILLUSTRATED HERE ARE SUGGESTIONS AND APPLY ONLY TO NORMAL GROUND CONDITIONS. THERE MAY BE ADDITIONAL PRECAUTIONS AND/OR METHODS OF CONSTRUCTION. PROPER INSTALLATION IS THE RESPONSIBILITY OF THE DEALER/BUILDER/CONTRACTOR.

ITEM	FILE NAME	DESCRIPTION	CUSTOMER DRAWING #	VENDOR PART #	QTY.
1	PANEL, ANGLE	PANEL, ANGLE, 6" X 1' X 225°, 600 SERIES	HPSCE2	00008796	2
2	PANEL, RADIUS	PANEL, 12' RADIUS, 8' LONG, LIGHT, 600 SERIES	HPS12R8L	0000251	1
3	PANEL, RADIUS	PANEL, 12' RADIUS, 4'-8 1/2" LONG, 600 SERIES	HPSCR5	00008264	1
4	PANEL, RADIUS	PANEL, 12' RADIUS, 2' LONG, 600 SERIES	HPSCR3	00007494	1
5	PANEL, STRAIGHT	PANEL, 8' LONG, 1084, 600 SERIES	HPSD10884	00002006	1
6	PANEL, STRAIGHT	PANEL, 8' LONG, 600 SERIES	HPSD108P	00006687	2
7	PANEL, STRAIGHT	PANEL, 8' LONG, INLET, 600 SERIES	HPSD108I	00006699	3
8	PANEL, STRAIGHT	PANEL, 2'-6" LONG, 600 SERIES	HPSD26P	00002021	1
9	PANEL, STRAIGHT	PANEL, 4' LONG, 600 SERIES	HPSD104P	00000274	2
10	PANEL, STRAIGHT	PANEL, 6' LONG, 600 SERIES	HPSD106P	00000676	1
11	PANEL, STRAIGHT	PANEL, 3'-6" LONG, 600 SERIES	HPSD1036P	00002022	1
12	PANEL, WEDGE	WEDGE, 2 1/2" X 2 1/2" X 90°-600-ASSEMBLY	HPSD6CA	00005721	4
13	HS110N	STEP, 8", TWIN SEAT, 4 TREAD	HS110N	HS110N	1
14	SBRACE	BRACE, FOLD OVER WITH TURNBUCKLE, STEEL, HPSFOB	HPSFOB	HPSFOB	21
15	BOLT, PACK	BOLT, FLANGE, 3/8-16 X 1", PACK (50)	HPS1916	HPS1916	5

ENGINEERING DRAWING NUMBER: 00018177	WEIGHT:	UNLESS OTHERWISE SPECIFIED DIMENSIONS ARE IN INCHES TOLERANCES DECIMALS: X ± .1 XX ± .01 XXX ± .001 XXXX ± .0005 ANGULAR: X ± 0.5 THIRD ANGLE PROJECTION
	lbs	
	VOLUME:	
	Inch ³	
	COLOR:	
	NA	
	HEAT TREAT:	
	NA	
	FINISH:	
	NA	
TEXTURE:		
NA		

DESIGNED BY: BUMPHREY	CREATION DATE: 5/23/2013
DETAILED BY: JRITTENHOUSE	DETAILED DATE: 4/5/2018
LAST REVISED BY: rhouston	LAST REVISED DATE: 4/5/2018
MATERIAL:	

HYDRA POOLS	
TITLE: LAYOUT, 16' X 32'-4", ROMAN END, 6" RADIUS, 8' DEEP, HS110N, LIGHT, 3-INLETS, 1084, 600 SERIES	
PART NUMBER:	SCALE: 1:128 SHEET: 1 OF 4
00018177	A



Area: 520.22ft ^2
Perimeter: 93.34ft
Volume = 19544 US gallons

NOTES:

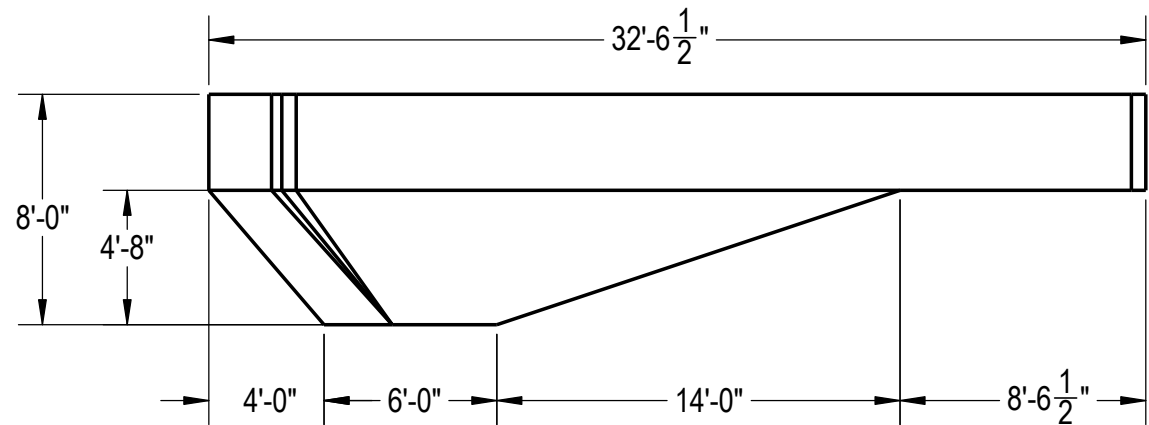
1. THESE ARE FINISHED DIMENSIONS READY FOR THE LINER.
2. DIMENSIONS ARE FROM INSIDE POOL PANELS.
3. ROPE AND FLOAT ASSEMBLY SHOULD BE INSTALLED IN ACCORDANCE WITH CURRENT ANSI/ASPS/ICC REGULATIONS
4. HYDRA LINER TRACK FOR STEPS IS INSTALLED WITH THE BARB FACING THE RISER WALL ON THE STEP.

EXCAVATION NOTES:

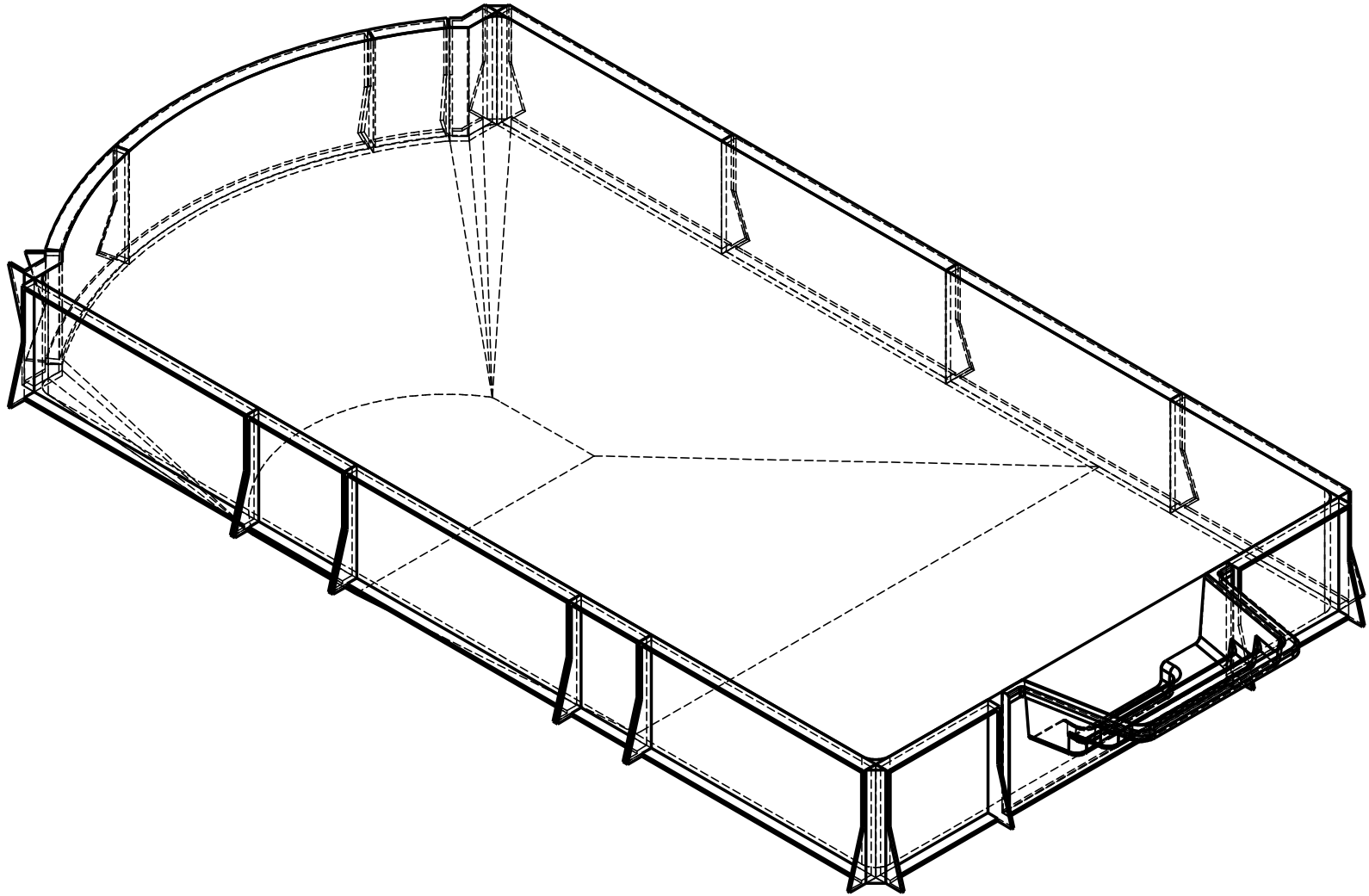
5. ROUGH EXCAVATION SHOULD BE 2" DEEPER IN EACH INSTANCE.
6. SOIL TO HAVE MINIMUM BEARING CAPACITY OF 1500 PSF.
7. LOCATE TOP OF POOL AT LEAST 6" ABOVE THE SURROUNDING LAND ELEVATION.
8. SEE "OVER DIG DETAIL" FOR EXCAVATION AROUND POOL.
9. FILL VOIDS UNDER BASE OF PANELS AND TAMP WELL.
10. BACK FILL WITH NON-EXPANSIVE MATERIAL.
11. FOLLOW ALL CURRENT ANSI / APSP / ICC GUIDELINES FOR RESIDENTIAL POOLS

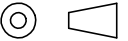
IMPORTANT NOTES:

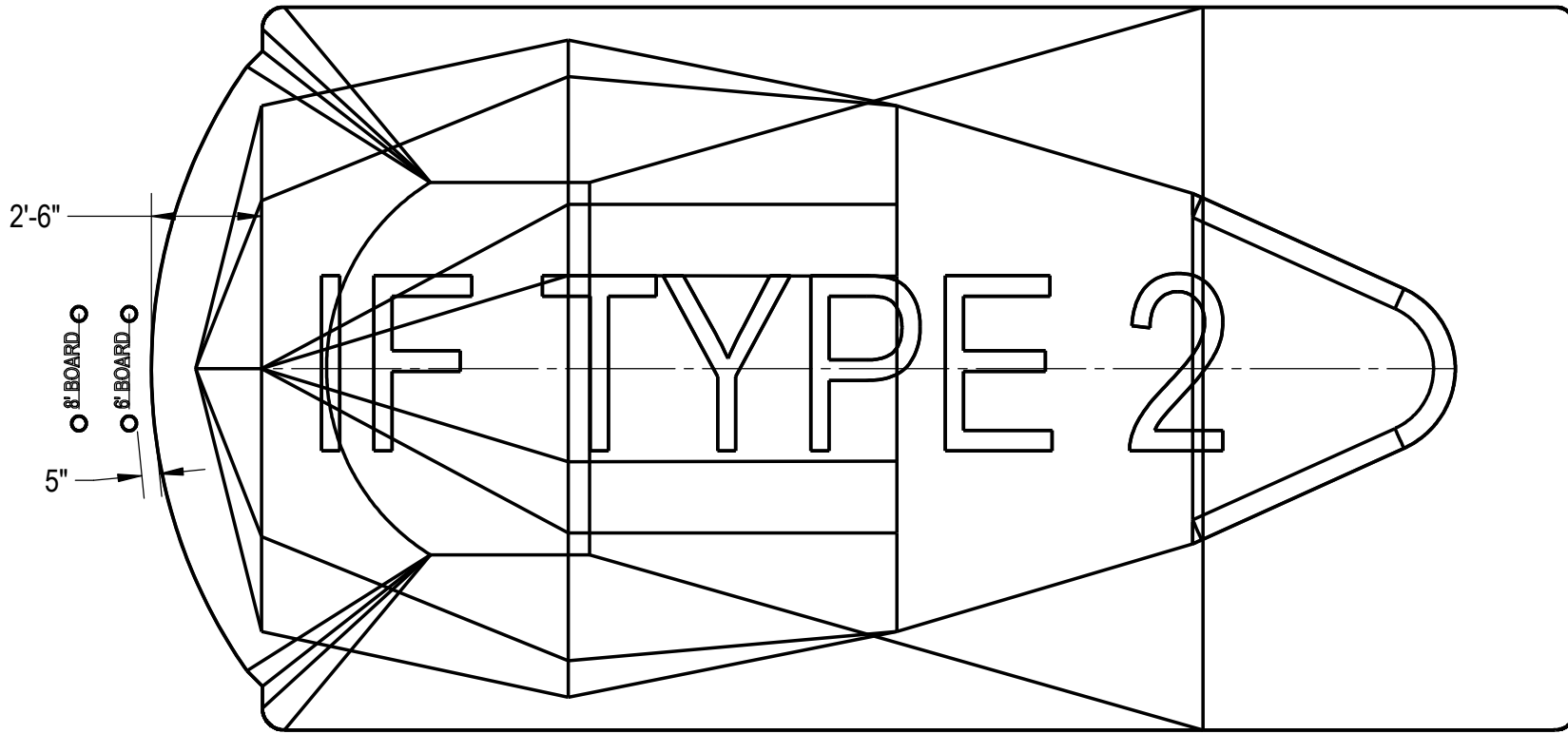
THIS DOCUMENT IS FOR ILLUSTRATIVE PURPOSES ONLY. THE DEALER OR CONTRACTOR WHO SELLS OR INSTALLS YOUR POOL IS AN INDEPENDENT CONTRACTOR AND IS NOT AN AGENT OF THE MANUFACTURER. THE CONSTRUCTION METHODS ILLUSTRATED HERE ARE SUGGESTIONS AND APPLY ONLY TO NORMAL GROUND CONDITIONS. THERE MAY BE ADDITIONAL PRECAUTIONS AND/OR METHODS OF CONSTRUCTION. PROPER INSTALLATION IS THE RESPONSIBILITY OF THE DEALER/BUILDER/CONTRACTOR.



ENGINEERING DRAWING NUMBER: 00018177	WEIGHT:	UNLESS OTHERWISE SPECIFIED DIMENSIONS ARE IN INCHES TOLERANCES DECIMALS: X ± .1 XX ± .01 XXX ± .001 XXXX ± .0005 ANGULAR: X ± 0.5 THIRD ANGLE PROJECTION	DESIGNED BY:	CREATION DATE:	00018177
	lbs		BUMPHREY	5/23/2013	
	VOLUME:		DETAILED BY:	DETAILED DATE:	
	Inch ³		JRITTENHOUSE	4/5/2018	
	COLOR:		LAST REVISED BY:	LAST REVISED DATE:	
NA	rhouston	4/5/2018	TITLE:	LAYOUT, 16' X 32'-4", ROMAN END, 6" RADIUS, 8' DEEP, HS110N, LIGHT, 3-INLETS, 1084, 600 SERIES	
HEAT TREAT:	MATERIAL:	PART NUMBER:	00018177		
FINISH:			SCALE:	SIZE:	
NA			1:128	A	
TEXTURE:			SHEET:		
NA			2 OF 4		



ENGINEERING DRAWING NUMBER: 00018177	WEIGHT:	UNLESS OTHERWISE SPECIFIED DIMENSIONS ARE IN INCHES TOLERANCES DECIMALS: X ± .1 XX ± .01 XXX ± .001 XXXX ± .0005 ANGULAR: X ± 0.5 THIRD ANGLE PROJECTION 	DESIGNED BY:	CREATION DATE:	HYDRA POOLS	
	lbs		BUMPHREY	5/23/2013		
	VOLUME:		DETAILED BY:	DETAILED DATE:	TITLE: LAYOUT, 16' X 32'-4", ROMAN END, 6" RADIUS, 8' DEEP, HS110N, LIGHT, 3-INLETS, 1084, 600 SERIES	
	Inch ³		JRITTENHOUSE	4/5/2018		
	COLOR:		LAST REVISED BY:	LAST REVISED DATE:		
	NA		rhouston	4/5/2018		
HEAT TREAT:	MATERIAL:	PART NUMBER:	SCALE:	SIZE:		
NA		00018177	1:60	A		
FINISH:			SHEET:			
NA			3 OF 4			
TEXTURE:						
NA						



ENGINEERING DRAWING NUMBER: 00018177	WEIGHT:	UNLESS OTHERWISE SPECIFIED DIMENSIONS ARE IN INCHES TOLERANCES DECIMALS: X ± .1 XX ± .01 XXX ± .001 XXXX ± .0005 ANGULAR: X ± 0.5 THIRD ANGLE PROJECTION	DESIGNED BY:	CREATION DATE:	HYDRA POOLS		
	lbs		BUMPHREY	5/23/2013			
	VOLUME:			DETAILED BY:	DETAILED DATE:	TITLE: LAYOUT, 16' X 32'-4", ROMAN END, 6" RADIUS, 8' DEEP, HS110N, LIGHT, 3-INLETS, 1084, 600 SERIES	
	Inch ³			JRITTENHOUSE	4/5/2018		
	COLOR:			LAST REVISED BY:	LAST REVISED DATE:		
	NA			rhouston	4/5/2018		
HEAT TREAT:		MATERIAL:		PART NUMBER:	SCALE:	SIZE:	
NA				00018177	1:128	A	
FINISH:					SHEET:		
NA					4 OF 4		
TEXTURE:							
NA							