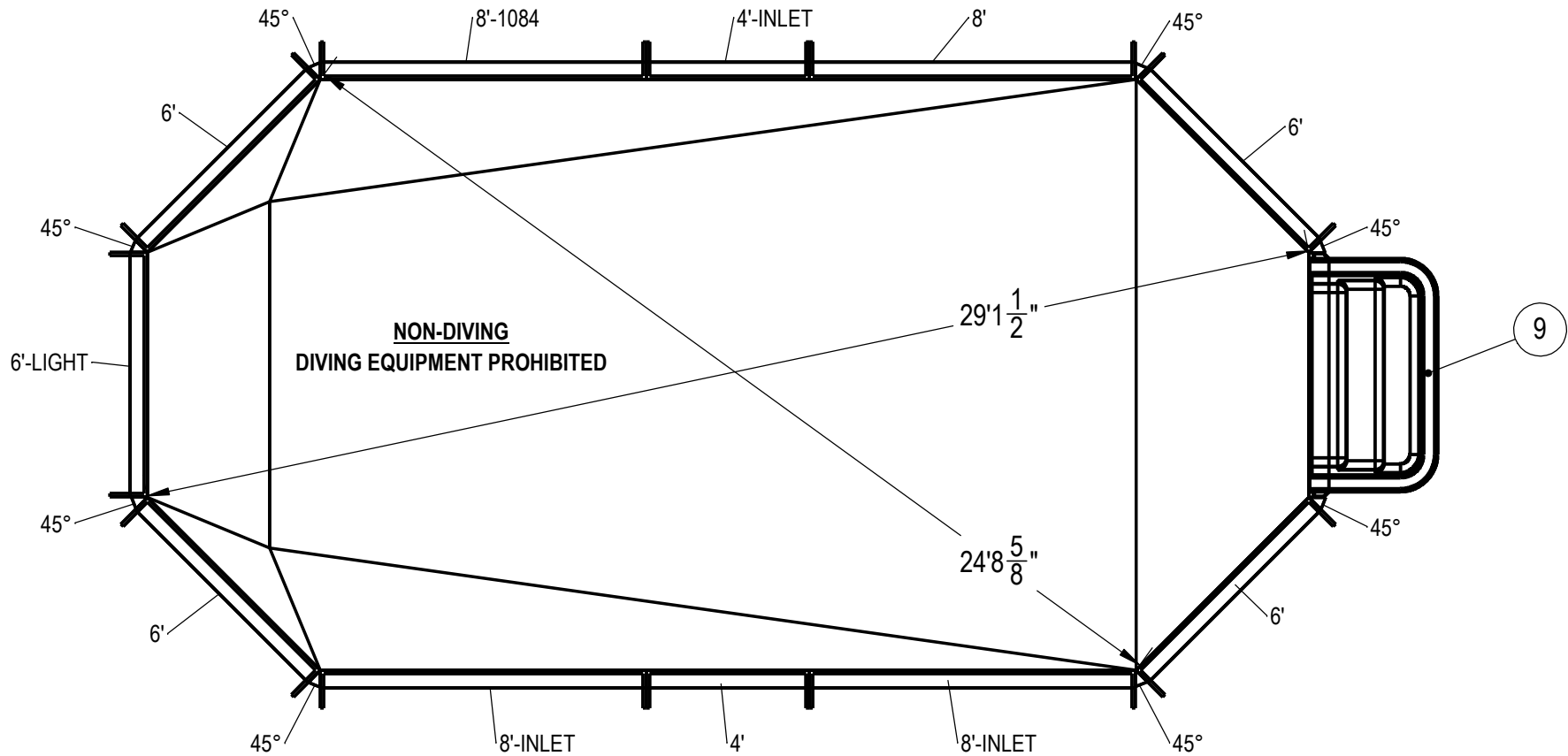


REVISION HISTORY				
REV.	DESCRIPTION	DATE	ECO	BY



**NOTES:**

- THESE ARE FINISHED DIMENSIONS READY FOR THE LINER.
- DIMENSIONS ARE FROM INSIDE POOL PANELS.
- ROPE AND FLOAT ASSEMBLY SHOULD BE INSTALLED IN ACCORDANCE WITH CURRENT ANSI/ASPS/ICC REGULATIONS
- HYDRA LINER TRACK FOR STEPS IS INSTALLED WITH THE BARB FACING THE RISER WALL ON THE STEP.

**EXCAVATION NOTES:**

- ROUGH EXCAVATION SHOULD BE 2' DEEPER IN EACH INSTANCE.
- SOIL TO HAVE MINIMUM BEARING CAPACITY OF 1500 PSF.
- LOCATE TOP OF POOL AT LEAST 6" ABOVE THE SURROUNDING LAND ELEVATION.
- SEE "OVER DIG DETAIL" FOR EXCAVATION AROUND POOL.
- FILL VOIDS UNDER BASE OF PANELS AND TAMP WELL.
- BACK FILL WITH NON-EXPANSIVE MATERIAL.
- FOLLOW ALL CURRENT ANSI / APSP / ICC GUIDELINES FOR RESIDENTIAL POOLS

**IMPORTANT NOTES:**

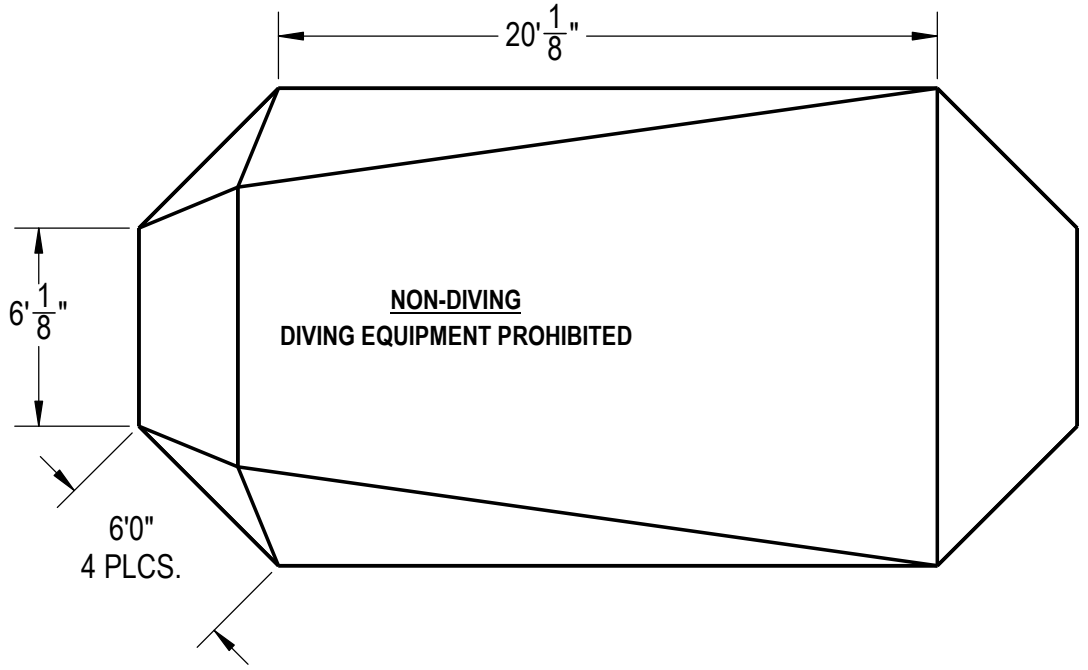
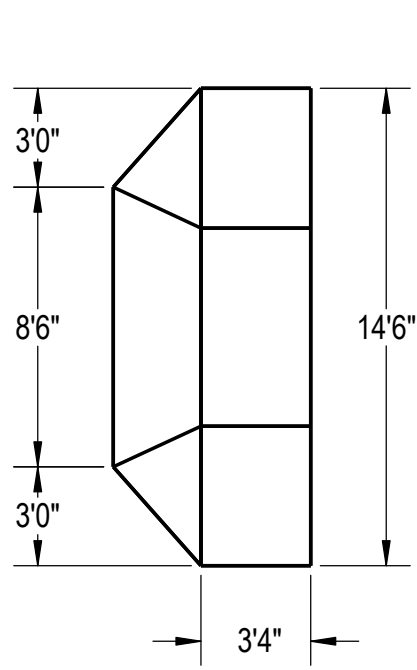
THIS DOCUMENT IS FOR ILLUSTRATIVE PURPOSES ONLY. THE DEALER OR CONTRACTOR WHO SELLS OR INSTALLS YOUR POOL IS AN INDEPENDENT CONTRACTOR AND IS NOT AN AGENT OF THE MANUFACTURER. THE CONSTRUCTION METHODS ILLUSTRATED HERE ARE SUGGESTIONS AND APPLY ONLY TO NORMAL GROUND CONDITIONS. THERE MAY BE ADDITIONAL PRECAUTIONS AND/OR METHODS OF CONSTRUCTION. PROPER INSTALLATION IS THE RESPONSIBILITY OF THE DEALER/BUILDER/CONTRACTOR.

ITEM	FILE NAME	DESCRIPTION	CUSTOMER DRAWING #	VENDOR PART #	QTY.
1	PANEL, STRAIGHT	PANEL, 6' LONG, 600 SERIES	HPSD106P	0000676	4
2	PANEL, STRAIGHT	PANEL, 8' LONG, 1084, 600 SERIES	HPSD10884	00002006	1
3	PANEL, STRAIGHT	PANEL, 4' LONG, INLET, 600 SERIES	HPSE104I	00000281	1
4	PANEL, STRAIGHT	PANEL, 8' LONG, 600 SERIES	HPSD108P	00000687	1
5	PANEL, STRAIGHT	PANEL, 8' LONG, INLET, 600 SERIES	HPSD108I	00000699	2
6	PANEL, STRAIGHT	PANEL, 4' LONG, 600 SERIES	HPSD104P	00000274	1
7	PANEL, STRAIGHT	PANEL, 6' LONG, LIGHT, 600 SERIES	HPSD106L	00000679	1
8	PANEL, WEDGE	WEDGE, 42" X 2 1/2" X 2 1/2" X 45°	HPSD45W	00000418	8
9	HS104N	STEP, 6' THREE TREAD, STRAIGHT	HS104N	HS104N	1
10	SBRACE	BRACE, FOLD OVER WITH TURNBUCKLE, STEEL, HPSFOB	HPSFOB	HPSFOB	18
11	BOLT, PACK	BOLT, FLANGE, 3/8-16 X 1", PACK (50)	HPS1916	HPS1916	4

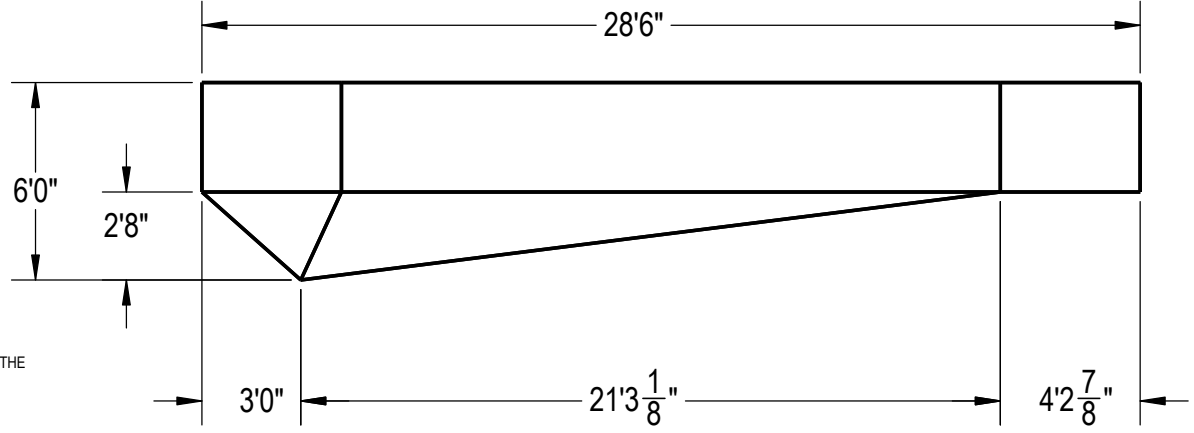
ENGINEERING DRAWING NUMBER: <b>00018168</b>	WEIGHT:	<b>UNLESS OTHERWISE SPECIFIED</b> DIMENSIONS ARE IN INCHES TOLERANCES DECIMALS: X ± .1 XX ± .01 XXX ± .001 XXXX ± .0005  ANGULAR: X ± 0.5 THIRD ANGLE PROJECTION
	VOLUME:	
	Inch <sup>3</sup>	
	COLOR:	
	HEAT TREAT:	
	FINISH:	
	TEXTURE:	

DESIGNED BY: <b>BUMPHREY</b>	CREATION DATE: <b>3/28/2013</b>
DETAILED BY: <b>JRITTENHOUSE</b>	DETAILED DATE: <b>4/4/2018</b>
LAST REVISED BY: <b>rhouston</b>	LAST REVISED DATE: <b>4/4/2018</b>
MATERIAL:	

<b>HYDRA POOLS</b>	
TITLE: <b>LAYOUT, 14'-6" X 28'-6", GRECIAN, 6' DEEP, WEDGE BOTTOM, HS104N, LIGHT, 1084, 3-INLET, 600 SERIES</b>	
PART NUMBER: <b>00018168</b>	SCALE: 1:96 SHEET: 1 OF 3 SIZE: <b>A</b>



**Area: 377.25ft ^2**  
**Perimeter: 76.06ft**  
**Volume = 12311 US gallons**



**NOTES:**

1. THESE ARE FINISHED DIMENSIONS READY FOR THE LINER.
2. DIMENSIONS ARE FROM INSIDE POOL PANELS.
3. ROPE AND FLOAT ASSEMBLY SHOULD BE INSTALLED IN ACCORDANCE WITH CURRENT ANSI/ASPS/ICC REGULATIONS
4. HYDRA LINER TRACK FOR STEPS IS INSTALLED WITH THE BARB FACING THE RISER WALL ON THE STEP.

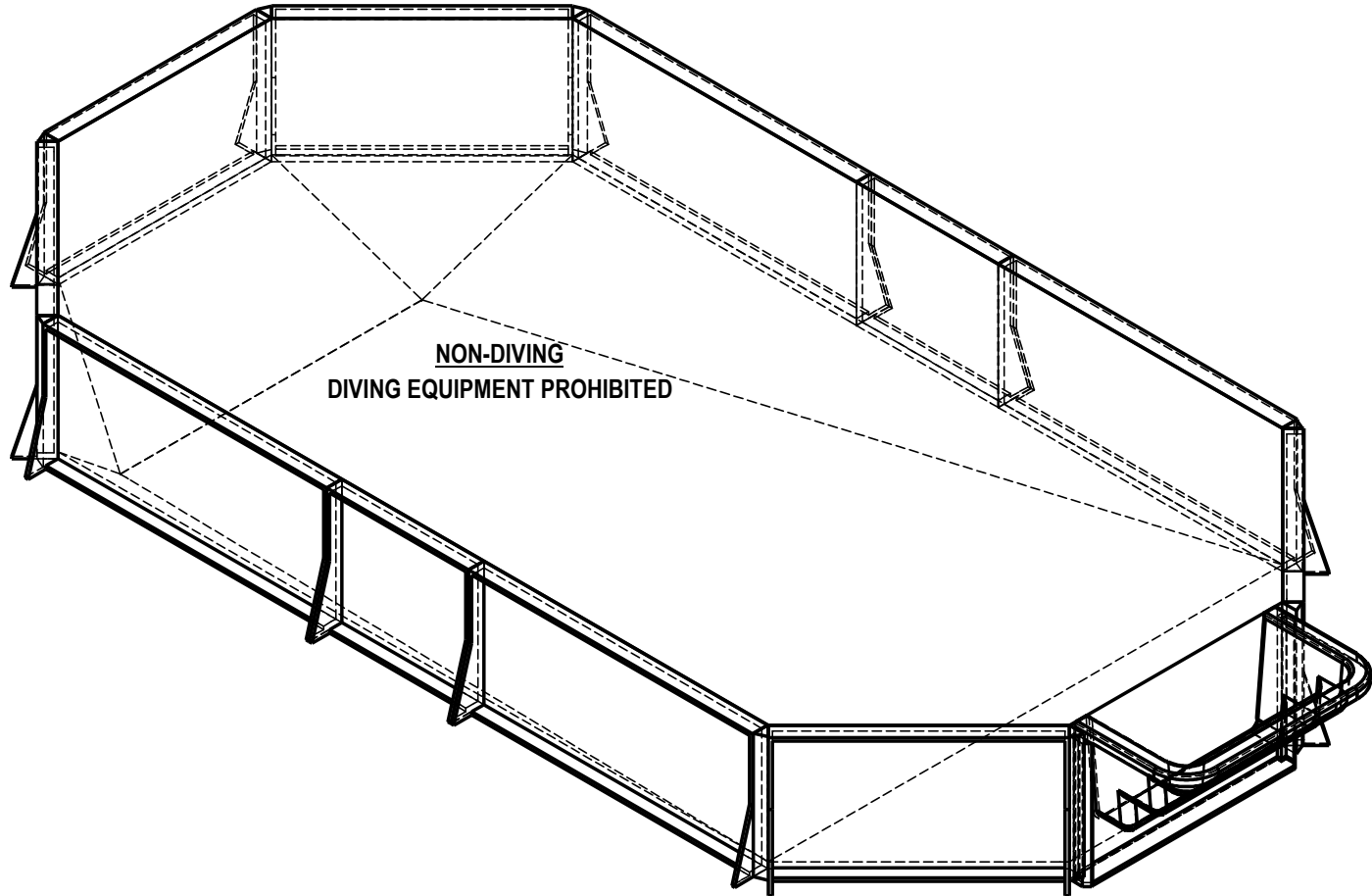
**EXCAVATION NOTES:**

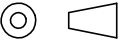
5. ROUGH EXCAVATION SHOULD BE 2" DEEPER IN EACH INSTANCE.
6. SOIL TO HAVE MINIMUM BEARING CAPACITY OF 1500 PSF.
7. LOCATE TOP OF POOL AT LEAST 6" ABOVE THE SURROUNDING LAND ELEVATION.
8. SEE "OVER DIG DETAIL" FOR EXCAVATION AROUND POOL.
9. FILL VOIDS UNDER BASE OF PANELS AND TAMP WELL.
10. BACK FILL WITH NON-EXPANSIVE MATERIAL.
11. FOLLOW ALL CURRENT ANSI / AISP / ICC GUIDELINES FOR RESIDENTIAL POOLS

**IMPORTANT NOTES:**

THIS DOCUMENT IS FOR ILLUSTRATIVE PURPOSES ONLY. THE DEALER OR CONTRACTOR WHO SELLS OR INSTALLS YOUR POOL IS AN INDEPENDENT CONTRACTOR AND IS NOT AN AGENT OF THE MANUFACTURER. THE CONSTRUCTION METHODS ILLUSTRATED HERE ARE SUGGESTIONS AND APPLY ONLY TO NORMAL GROUND CONDITIONS. THERE MAY BE ADDITIONAL PRECAUTIONS AND/OR METHODS OF CONSTRUCTION. PROPER INSTALLATION IS THE RESPONSIBILITY OF THE DEALER/BUILDER/CONTRACTOR.

ENGINEERING DRAWING NUMBER: <b>00018168</b>	WEIGHT:	<b>UNLESS OTHERWISE SPECIFIED</b> DIMENSIONS ARE IN INCHES TOLERANCES DECIMALS: X ± .1 XX ± .01 XXX ± .001 XXXX ± .0005  ANGULAR: X ± 0.5 THIRD ANGLE PROJECTION	DESIGNED BY:	CREATION DATE:	<b>HYDRA POOLS</b>		
	lbs		<b>BUMPHREY</b>	<b>3/28/2013</b>			
	VOLUME:			DETAILED BY:	DETAILED DATE:	TITLE: <b>LAYOUT, 14'-6" X 28'-6", GRECIAN, 6' DEEP, WEDGE BOTTOM, HS104N, LIGHT, 1084, 3-INLET, 600 SERIES</b>	
	Inch <sup>3</sup>			<b>JRITTENHOUSE</b>	<b>4/4/2018</b>		
	COLOR:			LAST REVISED BY:	LAST REVISED DATE:		
NA		<b>rhouston</b>	<b>4/4/2018</b>	PART NUMBER:	SCALE:	SIZE:	
HEAT TREAT:		MATERIAL:		<b>00018168</b>		1:96 SHEET: 2 OF 3	<b>A</b>
FINISH:							
NA							
TEXTURE:							
NA							



ENGINEERING DRAWING NUMBER: <b>00018168</b>	WEIGHT:	<b>UNLESS OTHERWISE SPECIFIED</b> DIMENSIONS ARE IN INCHES TOLERANCES DECIMALS: X ± .1 XX ± .01 XXX ± .001 XXXX ± .0005  ANGULAR: X ± 0.5 THIRD ANGLE PROJECTION 	DESIGNED BY:	CREATION DATE:	<b>HYDRA POOLS</b>				
	lbs		<b>BUMPHREY</b>	<b>3/28/2013</b>					
	VOLUME:		Detailed by:	DETAILED DATE:	TITLE: <b>LAYOUT, 14'-6" X 28'-6", GRECIAN, 6' DEEP, WEDGE BOTTOM, HS104N, LIGHT, 1084, 3-INLET, 600 SERIES</b>				
	Inch <sup>3</sup>		<b>JRITTENHOUSE</b>	<b>4/4/2018</b>					
	COLOR:		LAST REVISED BY:	LAST REVISED DATE:			PART NUMBER: <b>00018168</b>	SCALE:	SIZE:
	NA		<b>rhouston</b>	<b>4/4/2018</b>				<b>1:96</b>	<b>A</b>
HEAT TREAT:	MATERIAL:			SHEET:					
NA				<b>3 OF 3</b>					
FINISH:									
NA									
TEXTURE:									
NA									