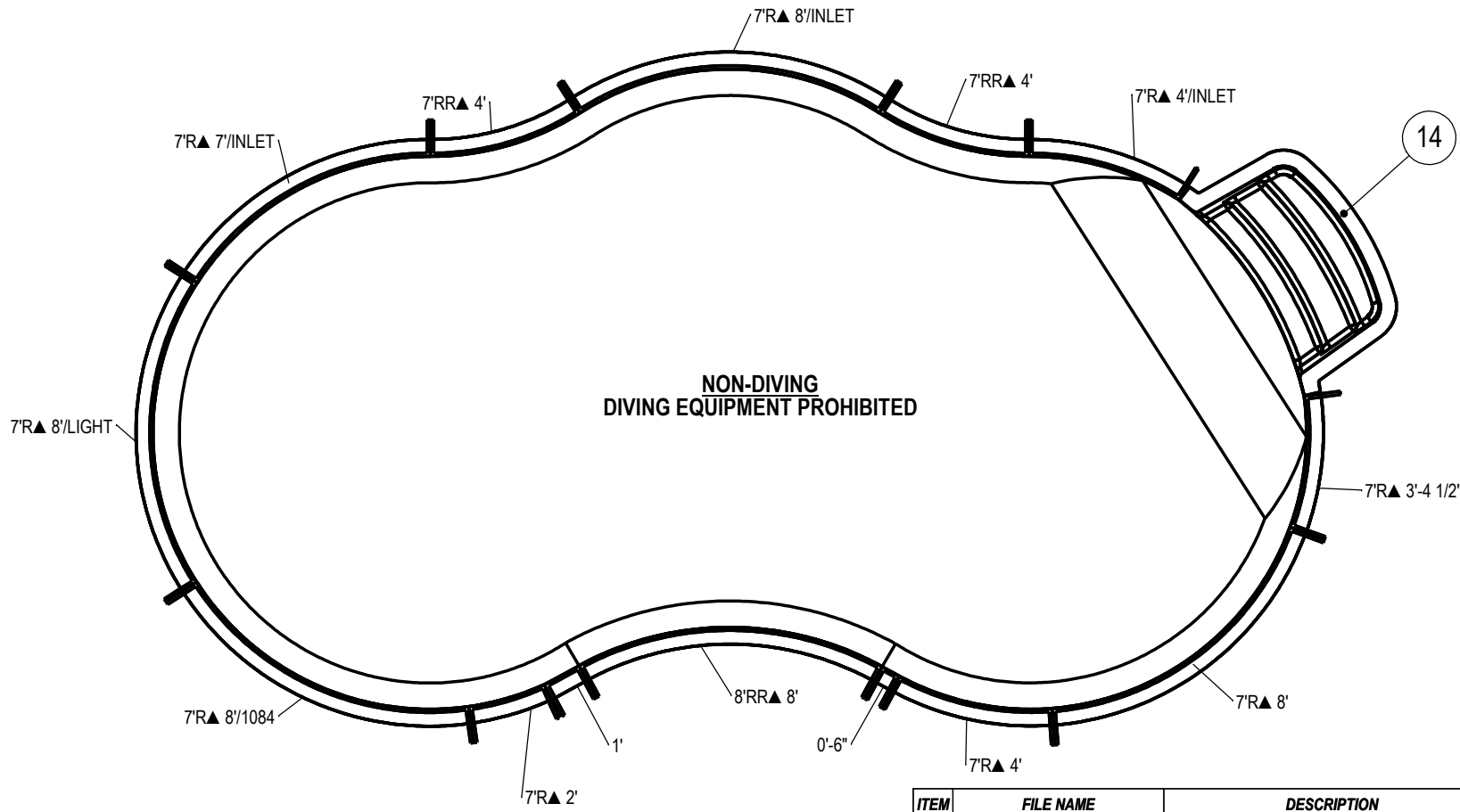


| REVISION HISTORY | | | | |
|------------------|-------------|------|-----|----|
| REV. | DESCRIPTION | DATE | ECO | BY |
| | | | | |

MIRROR NUMBER: 00017201
 MADE FROM: 00017201
 CHECK IN DATE/TIME: Friday, April 06, 2018 7:09:20 AM



- NOTES:**
- THESE ARE FINISHED DIMENSIONS READY FOR THE LINER.
 - DIMENSIONS ARE FROM INSIDE POOL PANELS.
 - ROPE AND FLOAT ASSEMBLY SHOULD BE INSTALLED IN ACCORDANCE WITH CURRENT ANSI/ASPS/ICC REGULATIONS
 - HYDRA LINER TRACK FOR STEPS IS INSTALLED WITH THE BARB FACING THE RISER WALL ON THE STEP.
- EXCAVATION NOTES:**
- ROUGH EXCAVATION SHOULD BE 2" DEEPER IN EACH INSTANCE.
 - SOIL TO HAVE MINIMUM BEARING CAPACITY OF 1500 PSF.
 - LOCATE TOP OF POOL AT LEAST 6" ABOVE THE SURROUNDING LAND ELEVATION.
 - SEE "OVER DIG DETAIL" FOR EXCAVATION AROUND POOL.
 - FILL VOIDS UNDER BASE OF PANELS AND TAMP WELL.
 - BACK FILL WITH NON-EXPANSIVE MATERIAL.
 - FOLLOW ALL CURRENT ANSI / APSP / ICC GUIDELINES FOR RESIDENTIAL POOLS

IMPORTANT NOTES:
 THIS DOCUMENT IS FOR ILLUSTRATIVE PURPOSES ONLY. THE DEALER OR CONTRACTOR WHO SELLS OR INSTALLS YOUR POOL IS AN INDEPENDENT CONTRACTOR AND IS NOT AN AGENT OF THE MANUFACTURER. THE CONSTRUCTION METHODS ILLUSTRATED HERE ARE SUGGESTIONS AND APPLY ONLY TO NORMAL GROUND CONDITIONS. THERE MAY BE ADDITIONAL PRECAUTIONS AND/OR METHODS OF CONSTRUCTION. PROPER INSTALLATION IS THE RESPONSIBILITY OF THE DEALER/BUILDER/CONTRACTOR.

| ITEM | FILE NAME | DESCRIPTION | CUSTOMER DRAWING # | VENDOR PART # | QTY. |
|------|-----------------|---|--------------------|---------------|------|
| 1 | PANEL, RADIUS | PANEL, 7' RADIUS, 7' LONG, INLET, 600 SERIES | HPSCR8 | 00008491 | 1 |
| 2 | PANEL, RADIUS | PANEL, 7' RADIUS, 8' LONG, LIGHT, 600 SERIES | HPSD7R8L | 00001434 | 1 |
| 3 | PANEL, RADIUS | PANEL, 7' RADIUS, 8' LONG, 1084, 600 SERIES | HPS7R884 | 00002362 | 1 |
| 4 | PANEL, RADIUS | PANEL, 7' RADIUS, 8' LONG, INLET, 600 SERIES | HPS7R8I | 00000270 | 1 |
| 5 | PANEL, RADIUS | PANEL, 7' RADIUS, 2' LONG, 600 SERIES | HPSD7R2 | 00001420 | 1 |
| 6 | PANEL, RADIUS | PANEL, 7' RADIUS, 8' LONG, 600 SERIES | HPSD7R8 | 00000335 | 1 |
| 7 | PANEL, RADIUS | PANEL, 7' RADIUS, 4' LONG, 600 SERIES | HPSD7R4 | 00000134 | 1 |
| 8 | PANEL, RADIUS | PANEL, 7' RADIUS, 4' LONG, INLET, 600 SERIES | HPSCR5 | 00008154 | 1 |
| 9 | PANEL, RADIUS | PANEL, 7' RADIUS, 3'-4 1/2" LONG, 600 SERIES | HPSCR4 | 00009098 | 1 |
| 10 | PANEL, RR | PANEL, 7' REVERSE RADIUS, 4' LONG, 600 SERIES | HPSD7RR4 | 00002245 | 2 |
| 11 | PANEL, RR | PANEL, 8' REVERSE RADIUS, 8' LONG, 600 SERIES | HPSD8RR8 | 00000347 | 1 |
| 12 | PANEL, STRAIGHT | PANEL, 1' LONG, 600 SERIES | HPSD101P | 00000621 | 1 |
| 13 | PANEL, STRAIGHT | PANEL, 0'-6" LONG, 600 SERIES | HPSD6P | 00001405 | 1 |
| 14 | HS103N | STEP, 6' RADIUS, 3 TREAD | HS103N | HS103N | 1 |
| 15 | SBRACE | BRACE, FOLD OVER WITH TURNBUCKLE, STEEL, HPSFOB | HPSFOB | HPSFOB | 15 |
| 16 | BOLT, PACK | BOLT, FLANGE, 3/8-16 X 1", PACK (50) | HPS1916 | HPS1916 | 4 |

ENGINEERING DRAWING NUMBER:
00018225

UNLESS OTHERWISE SPECIFIED
 DIMENSIONS ARE IN INCHES
 TOLERANCES
 DECIMALS: X ± .1
 XX ± .01
 XXX ± .001
 XXXX ± .0005
 ANGULAR: X ± 0.5
 THIRD ANGLE PROJECTION

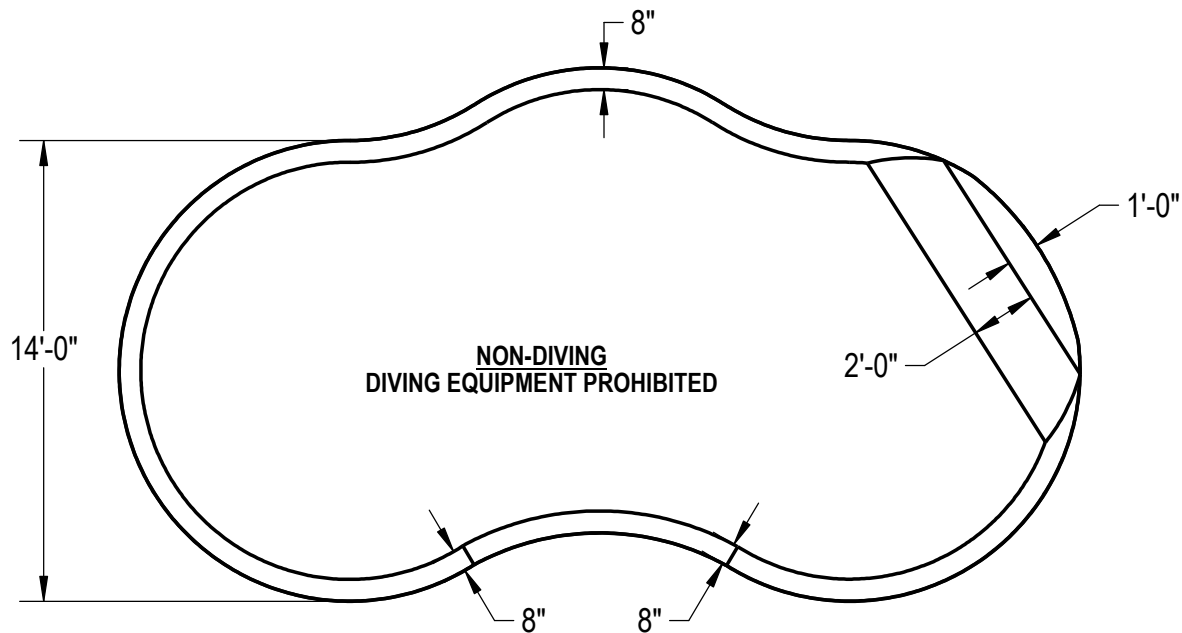
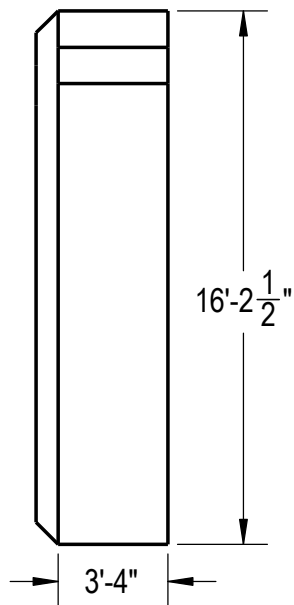
DESIGNED BY:
BUMPHREY
 DETAILED BY:
JRITTENHOUSE
 LAST REVISED BY:
rhouston
 MATERIAL:

CREATION DATE:
7/19/2013
 DETAILED DATE:
4/6/2018
 LAST REVISED DATE:
4/6/2018

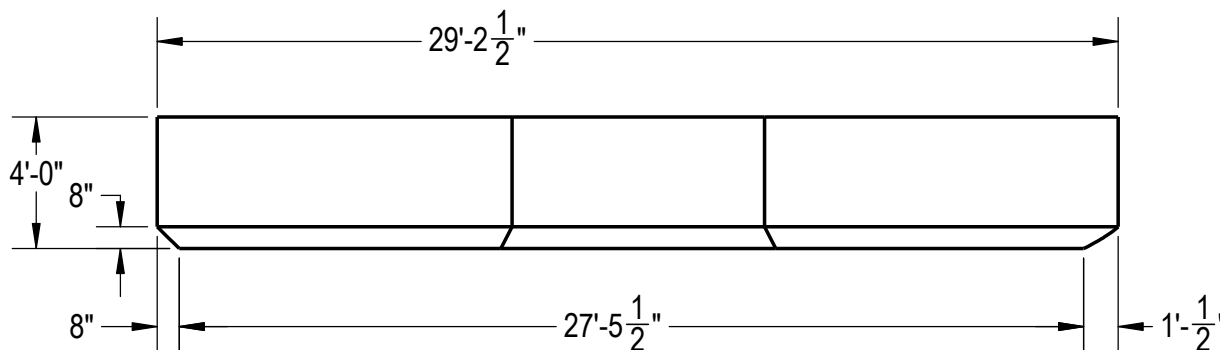
HYDRA POOLS

TITLE: **LAYOUT, 14' X 29', LAGOON, LEFT, 4' DEEP, FLAT BOTTOM, HS103N, LIGHT, 1084, 3 INLETS, 600 SERIES**

PART NUMBER: **00018225** SCALE: 1:52 SIZE: **A**
 SHEET: 1 OF 4



Area: 366.57ft ^2
Perimeter: 75.88ft
Volume = 10790 US gallons



NOTES:

1. THESE ARE FINISHED DIMENSIONS READY FOR THE LINER.
2. DIMENSIONS ARE FROM INSIDE POOL PANELS.
3. ROPE AND FLOAT ASSEMBLY SHOULD BE INSTALLED IN ACCORDANCE WITH CURRENT ANSI/APSP/ICC REGULATIONS
4. HYDRA LINER TRACK FOR STEPS IS INSTALLED WITH THE BARB FACING THE RISER WALL ON THE STEP.

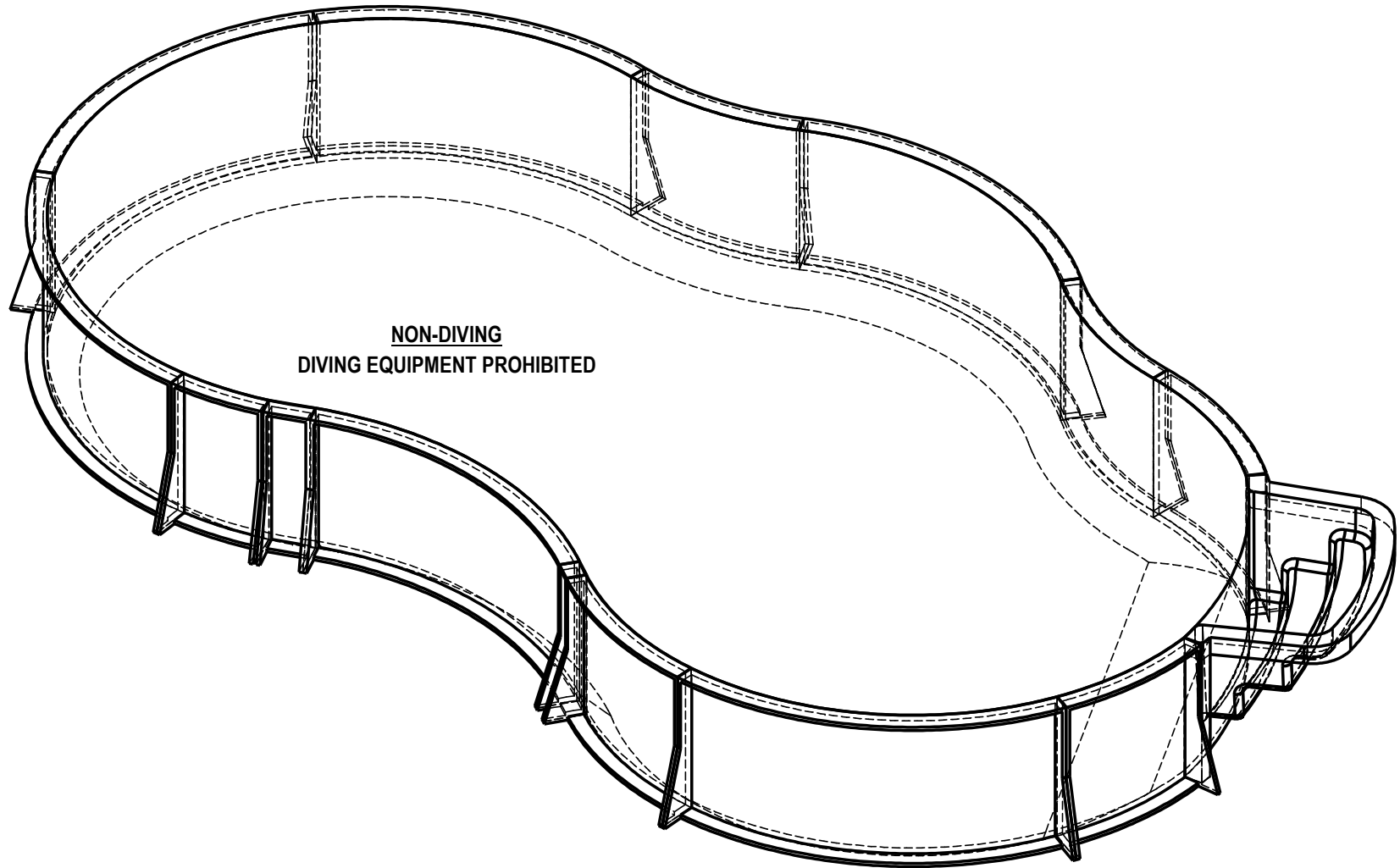
EXCAVATION NOTES:

5. ROUGH EXCAVATION SHOULD BE 2" DEEPER IN EACH INSTANCE.
6. SOIL TO HAVE MINIMUM BEARING CAPACITY OF 1500 PSF.
7. LOCATE TOP OF POOL AT LEAST 6" ABOVE THE SURROUNDING LAND ELEVATION.
8. SEE "OVER DIG DETAIL" FOR EXCAVATION AROUND POOL.
9. FILL VOIDS UNDER BASE OF PANELS AND TAMP WELL.
10. BACK FILL WITH NON-EXPANSIVE MATERIAL.
11. FOLLOW ALL CURRENT ANSI / APSP / ICC GUIDELINES FOR RESIDENTIAL POOLS

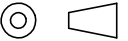
IMPORTANT NOTES:

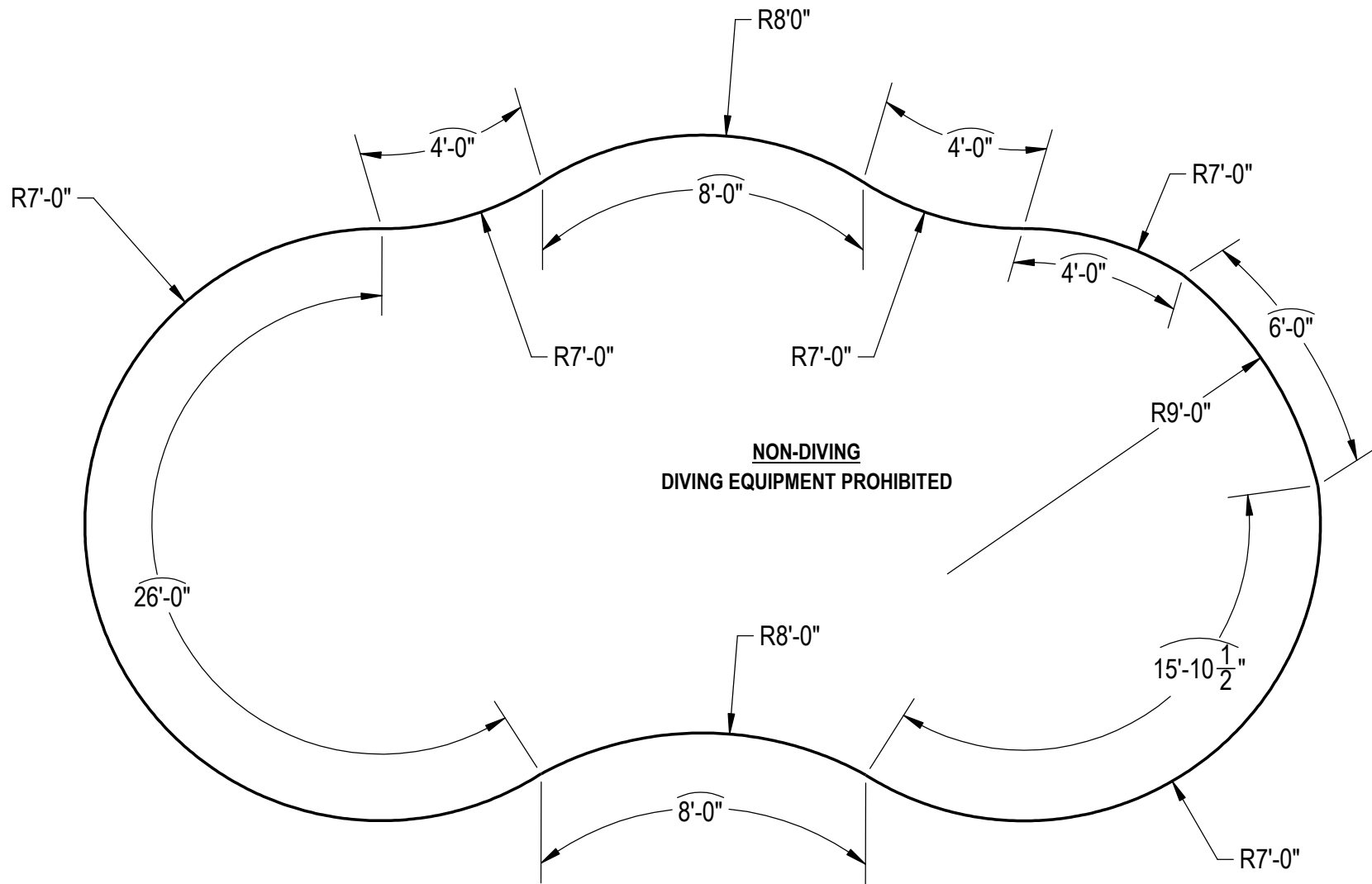
THIS DOCUMENT IS FOR ILLUSTRATIVE PURPOSES ONLY. THE DEALER OR CONTRACTOR WHO SELLS OR INSTALLS YOUR POOL IS AN INDEPENDENT CONTRACTOR AND IS NOT AN AGENT OF THE MANUFACTURER. THE CONSTRUCTION METHODS ILLUSTRATED HERE ARE SUGGESTIONS AND APPLY ONLY TO NORMAL GROUND CONDITIONS. THERE MAY BE ADDITIONAL PRECAUTIONS AND/OR METHODS OF CONSTRUCTION. PROPER INSTALLATION IS THE RESPONSIBILITY OF THE DEALER/BUILDER/CONTRACTOR.

| | | | | | | |
|--|-------------------|---|---------------------|--------------------|--|--|
| ENGINEERING DRAWING NUMBER: 00018225 | WEIGHT: | UNLESS OTHERWISE SPECIFIED DIMENSIONS ARE IN INCHES TOLERANCES DECIMALS: X ± .1 XX ± .01 XXX ± .001 XXXX ± .0005 ANGULAR: X ± 0.5 THIRD ANGLE PROJECTION | DESIGNED BY: | CREATION DATE: | HYDRA POOLS | |
| | lbs | | BUMPHREY | 1/3/2012 | | |
| | VOLUME: | | DETAILED BY: | DETAILED DATE: | TITLE: LAYOUT, 14' X 29', LAGOON, LEFT, 4' DEEP, FLAT BOTTOM, HS103N, LIGHT, 1084, 3 INLETS, 600 SERIES | |
| | Inch ³ | | JRITTENHOUSE | 4/6/2018 | | |
| | COLOR: | | LAST REVISED BY: | LAST REVISED DATE: | | |
| NA | rhouston | 4/6/2018 | PART NUMBER: | SCALE: | SIZE: | |
| HEAT TREAT: | MATERIAL: | | 00018225 | 1:128 | A | |
| NA | | | | SHEET: | | |
| FINISH: | | | | 2 OF 4 | | |
| NA | | | | | | |
| TEXTURE: | | | | | | |
| NA | | | | | | |



**NON-DIVING
DIVING EQUIPMENT PROHIBITED**

| | | | | | | | |
|---|-------------------|---|------------------|--------------------|---|--------|----------|
| ENGINEERING DRAWINGS NUMBER: 00018225 | WEIGHT: | UNLESS OTHERWISE SPECIFIED DIMENSIONS ARE IN INCHES TOLERANCES DECIMALS: X ± .1 XX ± .01 XXX ± .001 XXXX ± .0005 ANGULAR: X ± 0.5 THIRD ANGLE PROJECTION  | DESIGNED BY: | CREATION DATE: | HYDRA POOLS TITLE: LAYOUT, 14' X 29', LAGOON, LEFT, 4' DEEP, FLAT BOTTOM, HS103N, LIGHT, 1084, 3 INLETS, 600 SERIES PART NUMBER: 00018225 | SCALE: | SIZE: |
| | VOLUME: | | Detailed by: | DETAILED DATE: | | 1:128 | A |
| | Inch ³ | | JRITTENHOUSE | 4/6/2018 | | SHEET: | |
| | COLOR: | | LAST REVISED BY: | LAST REVISED DATE: | | 3 OF 4 | |
| | HEAT TREAT: | | rhouston | 4/6/2018 | | | |
| | FINISH: | | MATERIAL: | | | | |
| TEXTURE: | | | | | | | |



**NON-DIVING
 DIVING EQUIPMENT PROHIBITED**

| | | | | | |
|--|-------------------|---|---------------------|--------------------|--|
| ENGINEERING DRAWING NUMBER: 00018225 | WEIGHT: | UNLESS OTHERWISE SPECIFIED DIMENSIONS ARE IN INCHES TOLERANCES DECIMALS: X ± .1 XX ± .01 XXX ± .001 XXXX ± .0005 ANGULAR: X ± 0.5 THIRD ANGLE PROJECTION | DESIGNED BY: | CREATION DATE: | HYDRA POOLS |
| | lbs | | BUMPHREY | 1/3/2012 | |
| | VOLUME: | | DETAILED BY: | DETAILED DATE: | |
| | Inch ³ | | JRITTENHOUSE | 4/6/2018 | |
| | COLOR: | | LAST REVISED BY: | LAST REVISED DATE: | TITLE: LAYOUT, 14' X 29', LAGOON, LEFT, 4' DEEP, FLAT BOTTOM, HS103N, LIGHT, 1084, 3 INLETS, 600 SERIES |
| | NA | | rhouston | 4/6/2018 | |
| HEAT TREAT: | MATERIAL: | PART NUMBER: | | SCALE: | SIZE: |
| NA | | 00018225 | | 1:128 | A |
| FINISH: | | | | SHEET: | |
| NA | | | | 4 OF 4 | |
| TEXTURE: | | | | | |
| NA | | | | | |