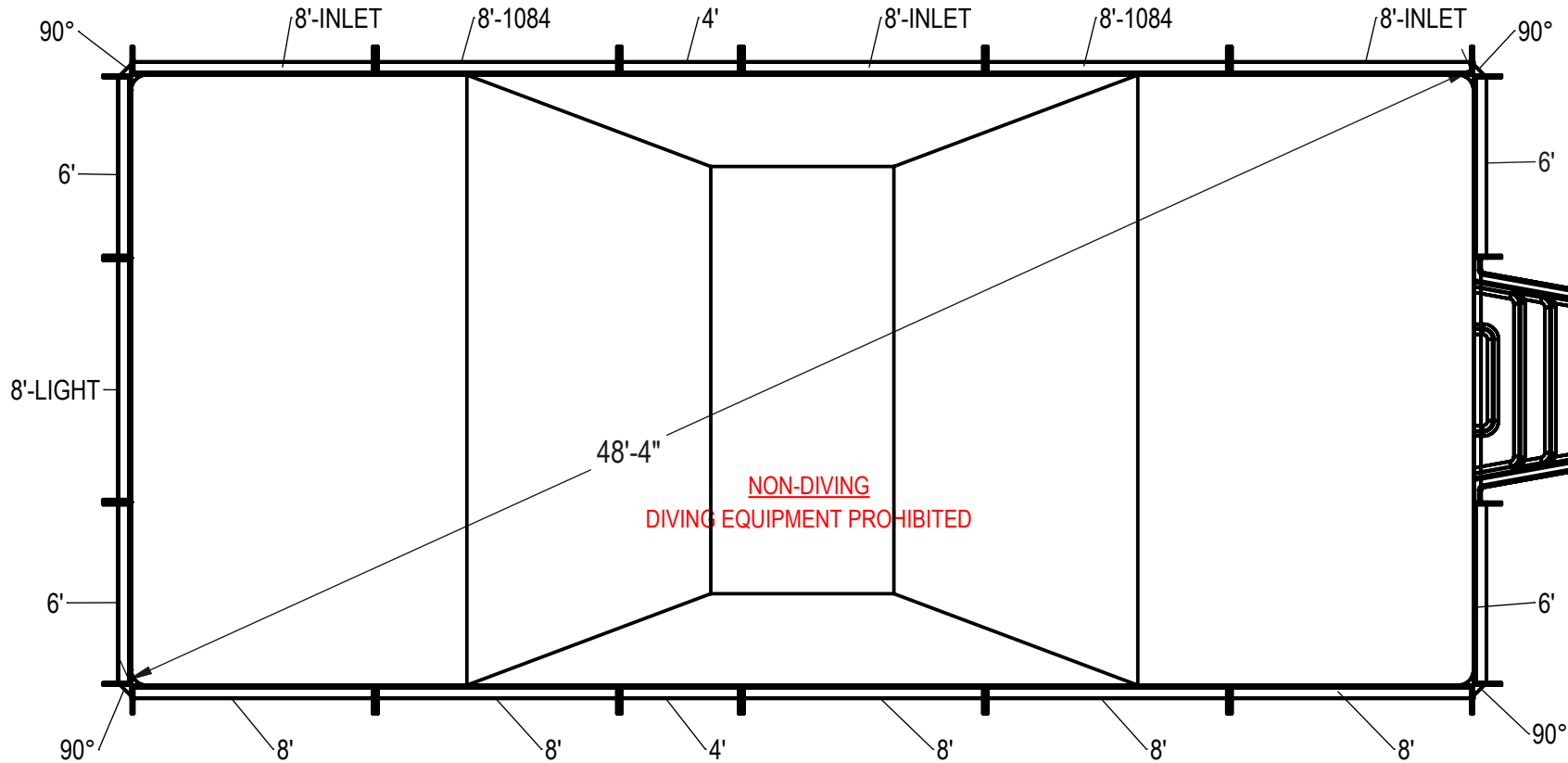


REVISION HISTORY				
REV.	DESCRIPTION	DATE	ECO	BY



NOTES:

- THESE ARE FINISHED DIMENSIONS READY FOR THE LINER.
- DIMENSIONS ARE FROM INSIDE POOL PANELS.
- ROPE AND FLOAT ASSEMBLY SHOULD BE INSTALLED IN ACCORDANCE WITH CURRENT ANSI/ASPS/ICC REGULATIONS
- HYDRA LINER TRACK FOR STEPS IS INSTALLED WITH THE BARB FACING THE RISER WALL ON THE STEP.

EXCAVATION NOTES:

- ROUGH EXCAVATION SHOULD BE 2" DEEPER IN EACH INSTANCE.
- SOIL TO HAVE MINIMUM BEARING CAPACITY OF 1500 PSF.
- LOCATE TOP OF POOL AT LEAST 6" ABOVE THE SURROUNDING LAND ELEVATION.
- SEE "OVER DIG DETAIL" FOR EXCAVATION AROUND POOL.
- FILL VOIDS UNDER BASE OF PANELS AND TAMP WELL.
- BACK FILL WITH NON-EXPANSIVE MATERIAL.
- FOLLOW ALL CURRENT ANSI / ASP / ICC GUIDELINES FOR RESIDENTIAL POOLS

IMPORTANT NOTES:

THIS DOCUMENT IS FOR ILLUSTRATIVE PURPOSES ONLY. THE DEALER OR CONTRACTOR WHO SELLS OR INSTALLS YOUR POOL IS AN INDEPENDENT CONTRACTOR AND IS NOT AN AGENT OF THE MANUFACTURER. THE CONSTRUCTION METHODS ILLUSTRATED HERE ARE SUGGESTIONS AND APPLY ONLY TO NORMAL GROUND CONDITIONS. THERE MAY BE ADDITIONAL PRECAUTIONS AND/OR METHODS OF CONSTRUCTION. PROPER INSTALLATION IS THE RESPONSIBILITY OF THE DEALER/BUILDER/CONTRACTOR.

ITEM	FILE NAME	DESCRIPTION	CUSTOMER DRAWING #	VENDOR PART #	QTY.
1	BOLT, PACK	BOLT, FLANGE, 3/8-16 X 1", PACK (50)	HPS1916	HPS1916	5
2	SBRACE	BRACE, FOLD OVER WITH TURNBUCKLE, STEEL, HPSFOB	HPSFOB	HPSFOB	21
3	PANEL, STRAIGHT	PANEL, 4' LONG, 700 SERIES	HPSE104P	00002723	2
4	PANEL, STRAIGHT	PANEL, 6' LONG, 700 SERIES	HPSE106P	00002731	4
5	PANEL, STRAIGHT	PANEL, 8' LONG, 1084, 700 SERIES	HPSE10884	00004966	2
6	PANEL, STRAIGHT	PANEL, 8' LONG, 700 SERIES	HPSE108P	00004961	5
7	PANEL, STRAIGHT	PANEL, 8' LONG, INLET, 700 SERIES	HPSE108I	00004969	3
8	PANEL, STRAIGHT	PANEL, 8' LONG, LIGHT, 700 SERIES	HPSE108L	00004962	1
9	HS110N	STEP, 8", TWIN SEAT, 4 TREAD	HS110N	HS110N	1
10	PANEL, WEDGE	WEDGE, 2 1/2" X 2 1/2" X 90°	HPSD6CA	00003541	4

UNLESS OTHERWISE SPECIFIED

DIMENSIONS ARE IN INCHES
TOLERANCES
DECIMALS: X ± .1
 XX ± .01
 XXX ± .001
 XXXX ± .0005

ANGULAR: X ± 0.5
THIRD ANGLE PROJECTION

ENGINEERING DRAWING NUMBER: 00016934

DESIGNED BY: BUMPHREY
CREATION DATE: 2/10/2011

DETAILED BY: BUMPHREY
DETAILED DATE: 12/13/2017

LAST REVISED BY: bumphrey
LAST REVISED DATE: 12/13/2017

MATERIAL:

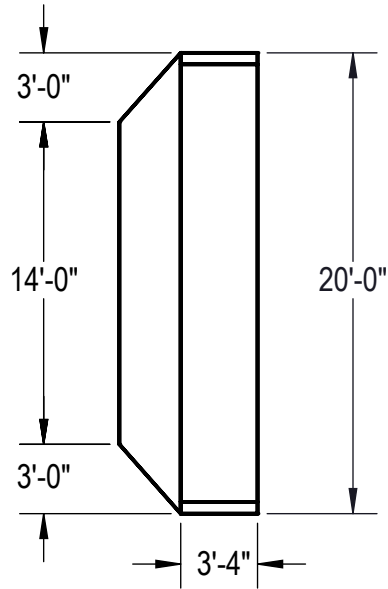
HYDRA POOLS

TITLE: LAYOUT, 20' X 44', RECTANGLE, 6" RADIUS, 6" DEEP, SPORT BOTTOM, HS110N, LIGHT, 2-1084, 3-INLET, 700 SERIES

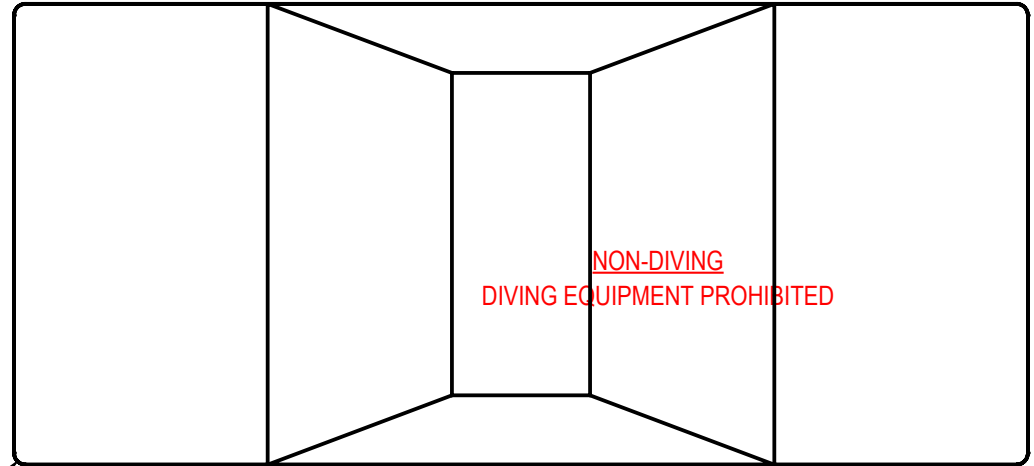
PART NUMBER: 00016934

SCALE: 1:192
SHEET: 1 OF 3

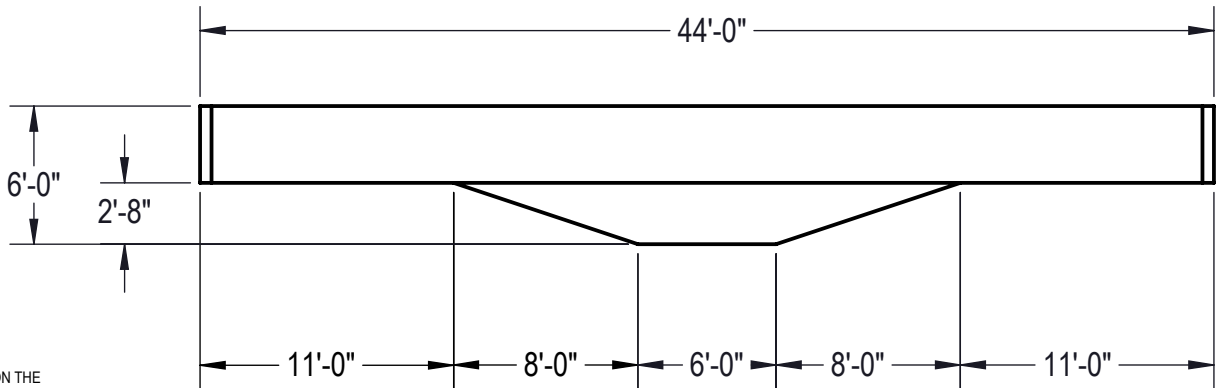
SIZE: A



R6"
4 PLCS.



Area: 879.79ft ^2
Perimeter: 127.14ft
Volume = 26845 US gallons



NOTES:


1. THESE ARE FINISHED DIMENSIONS READY FOR THE LINER.
2. DIMENSIONS ARE FROM INSIDE POOL PANELS.
3. ROPE AND FLOAT ASSEMBLY SHOULD BE INSTALLED IN ACCORDANCE WITH CURRENT ANSI/ASPS/ICC REGULATIONS
4. HYDRA LINER TRACK FOR STEPS IS INSTALLED WITH THE BARB FACING THE RISER WALL ON THE STEP.

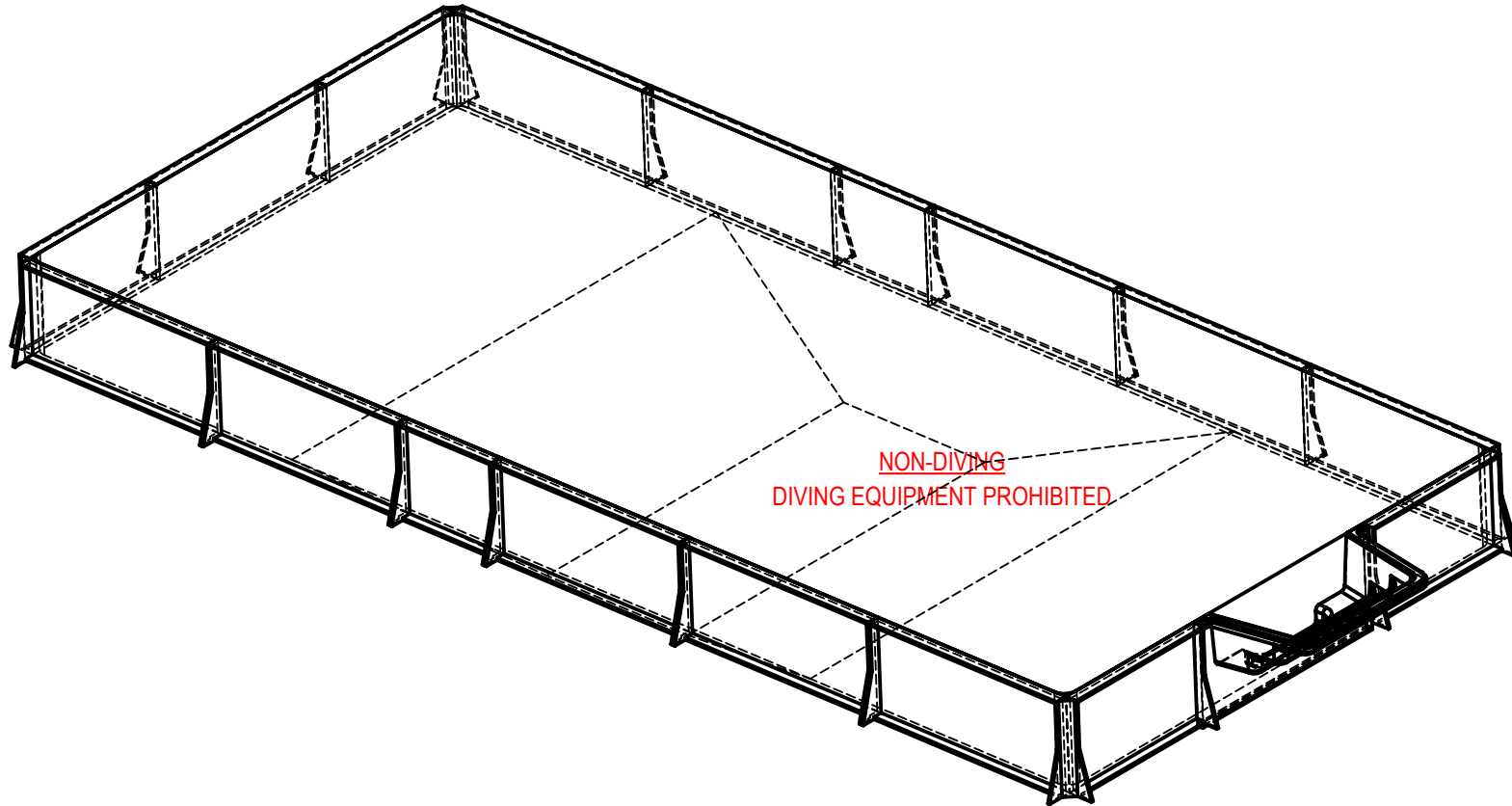
EXCAVATION NOTES:

5. ROUGH EXCAVATION SHOULD BE 2" DEEPER IN EACH INSTANCE.
6. SOIL TO HAVE MINIMUM BEARING CAPACITY OF 1500 PSF.
7. LOCATE TOP OF POOL AT LEAST 6" ABOVE THE SURROUNDING LAND ELEVATION.
8. SEE "OVER DIG DETAIL" FOR EXCAVATION AROUND POOL.
9. FILL VOIDS UNDER BASE OF PANELS AND TAMP WELL.
10. BACK FILL WITH NON-EXPANSIVE MATERIAL.
11. FOLLOW ALL CURRENT ANSI / APSP / ICC GUIDELINES FOR RESIDENTIAL POOLS



IMPORTANT NOTES:

THIS DOCUMENT IS FOR ILLUSTRATIVE PURPOSES ONLY. THE DEALER OR CONTRACTOR WHO SELLS OR INSTALLS YOUR POOL IS AN INDEPENDENT CONTRACTOR AND IS NOT AN AGENT OF THE MANUFACTURER. THE CONSTRUCTION METHODS ILLUSTRATED HERE ARE SUGGESTIONS AND APPLY ONLY TO NORMAL GROUND CONDITIONS. THERE MAY BE ADDITIONAL PRECAUTIONS AND/OR METHODS OF CONSTRUCTION. PROPER INSTALLATION IS THE RESPONSIBILITY OF THE DEALER/BUILDER/CONTRACTOR.

ENGINEERING DRAWING NUMBER: 00016934	WEIGHT:	UNLESS OTHERWISE SPECIFIED DIMENSIONS ARE IN INCHES TOLERANCES DECIMALS: X ± .1 XX ± .01 XXX ± .001 XXXX ± .0005 ANGULAR: X ± 0.5 THIRD ANGLE PROJECTION 	DESIGNED BY:	CREATION DATE:	HYDRA POOLS		
	VOLUME:		BUMPHREY	3/20/2013			
	Inch ³			DETAILED BY:	DETAILED DATE:	TITLE: LAYOUT, 20' X 44', RECTANGLE, 6" RADIUS, 6" DEEP, SPORT BOTTOM, HS110N, LIGHT, 2-1084, 3-INLET, 700 SERIES	
	COLOR:			BUMPHREY	12/13/2017		
NA		LAST REVISED BY:	LAST REVISED DATE:	PART NUMBER: <div style="font-size: 2em; font-weight: bold; text-align: center;">00016934</div>			
HEAT TREAT:		bumphrey	12/13/2017				
NA		MATERIAL:				SCALE: 1:192	SIZE: A
FINISH:				SHEET: 2 OF 3			
TEXTURE:							
NA							



**NON-DIVING
 DIVING EQUIPMENT PROHIBITED**

ENGINEERING DRAWING NUMBER: 00016934	WEIGHT:	UNLESS OTHERWISE SPECIFIED DIMENSIONS ARE IN INCHES TOLERANCES DECIMALS: X ± .1 XX ± .01 XXX ± .001 XXXX ± .0005 ANGULAR: X ± 0.5 THIRD ANGLE PROJECTION 	DESIGNED BY:	CREATION DATE:	HYDRA POOLS	
	lbs		BUMPHREY	2/10/2011		
	VOLUME:		DIMENSIONS ARE IN INCHES TOLERANCES DECIMALS: X ± .1 XX ± .01 XXX ± .001 XXXX ± .0005 ANGULAR: X ± 0.5 THIRD ANGLE PROJECTION 	DETAILED BY:	DETAILED DATE:	TITLE: LAYOUT, 20' X 44', RECTANGLE, 6" RADIUS, 6" DEEP, SPORT BOTTOM, HS110N, LIGHT, 2-1084, 3-INLET, 700 SERIES
	Inch ³			BUMPHREY	12/13/2017	
	COLOR:			LAST REVISED BY:	LAST REVISED DATE:	
	HEAT TREAT:			bumphrey	12/13/2017	
FINISH:	MATERIAL:					
TEXTURE:			PART NUMBER:	SCALE:	SIZE:	
			00016934	1:192	A	
				SHEET:		
				3 OF 3		