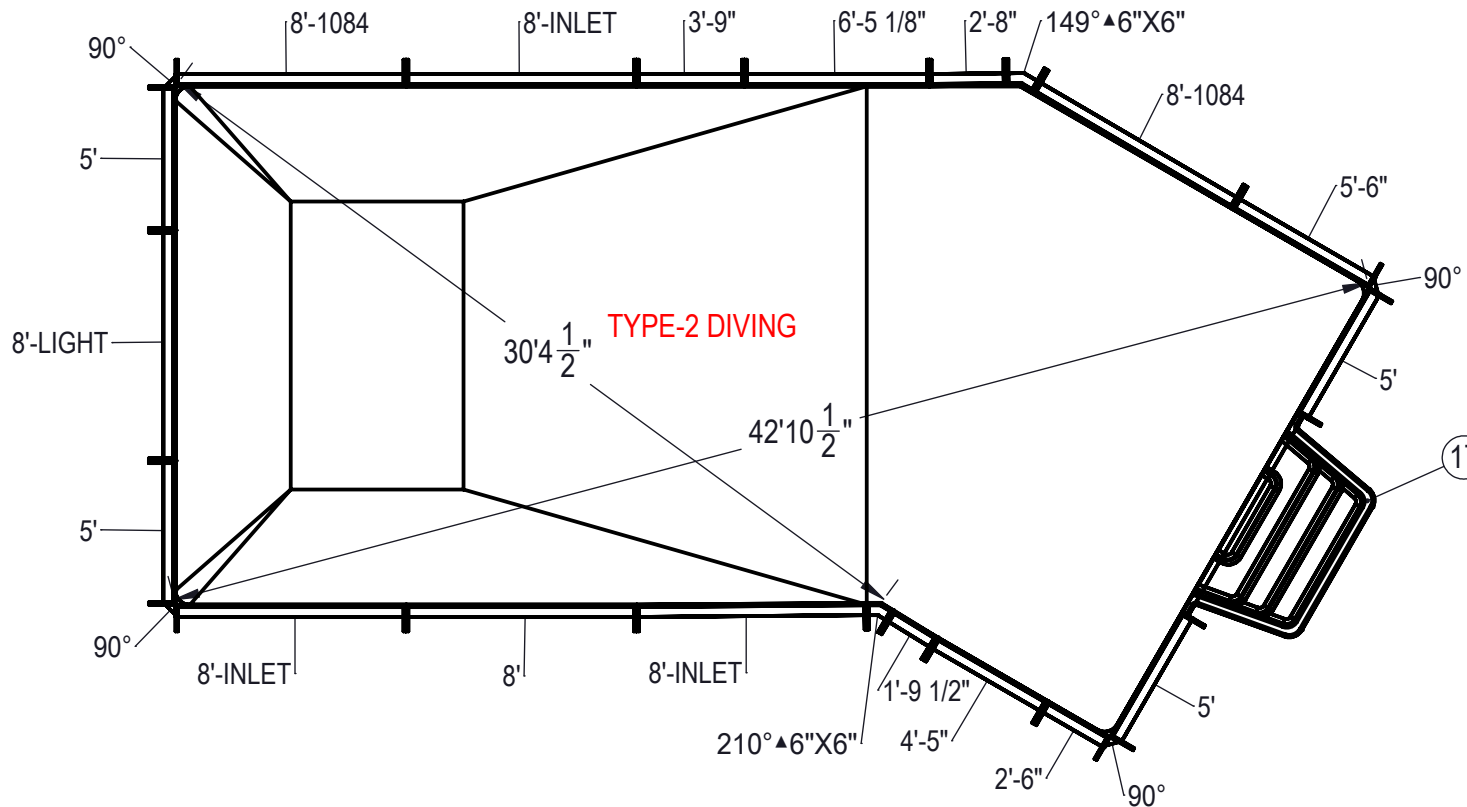


REVISION HISTORY				
REV.	DESCRIPTION	DATE	ECO	BY



NOTES:

- THESE ARE FINISHED DIMENSIONS READY FOR THE LINER.
- DIMENSIONS ARE FROM INSIDE POOL PANELS.
- ROPE AND FLOAT ASSEMBLY SHOULD BE INSTALLED IN ACCORDANCE WITH CURRENT ANSI/ASPS/ICC REGULATIONS
- HYDRA LINER TRACK FOR STEPS IS INSTALLED WITH THE BARB FACING THE RISER WALL ON THE STEP.

EXCAVATION NOTES:

- ROUGH EXCAVATION SHOULD BE 2" DEEPER IN EACH INSTANCE.
- SOIL TO HAVE MINIMUM BEARING CAPACITY OF 1500 PSF.
- LOCATE TOP OF POOL AT LEAST 6" ABOVE THE SURROUNDING LAND ELEVATION.
- SEE "OVER DIG DETAIL" FOR EXCAVATION AROUND POOL.
- FILL VOIDS UNDER BASE OF PANELS AND TAMP WELL.
- BACK FILL WITH NON-EXPANSIVE MATERIAL.
- FOLLOW ALL CURRENT ANSI / APSP / ICC GUIDELINES FOR RESIDENTIAL POOLS

IMPORTANT NOTES:

THIS DOCUMENT IS FOR ILLUSTRATIVE PURPOSES ONLY. THE DEALER OR CONTRACTOR WHO SELLS OR INSTALLS YOUR POOL IS AN INDEPENDENT CONTRACTOR AND IS NOT AN AGENT OF THE MANUFACTURER. THE CONSTRUCTION METHODS ILLUSTRATED HERE ARE SUGGESTIONS AND APPLY ONLY TO NORMAL GROUND CONDITIONS. THERE MAY BE ADDITIONAL PRECAUTIONS AND/OR METHODS OF CONSTRUCTION. PROPER INSTALLATION IS THE RESPONSIBILITY OF THE DEALER/BUILDER/CONTRACTOR.

ITEM	FILE NAME	DESCRIPTION	CUSTOMER DRAWING #	VENDOR PART #	QTY.
1	BOLT, PACK	BOLT, FLANGE, 3/8-16 X 1", PACK (50)	HPS1916	HPS1916	6
2	SBRACE	BRACE, FOLD OVER WITH TURNBUCKLE, STEEL, HPSFOB	HPSFOB	HPSFOB	25
3	PANEL, ANGLE	PANEL, ANGLE, 6" X 6" X 149°, 600 SERIES	HPSD6X6149	0001388	1
4	PANEL, ANGLE	PANEL, ANGLE, 6" X 6" X 210°, 600 SERIES	HPSDLLR	00001675	1
5	PANEL, STRAIGHT	PANEL, 1'-9 1/2" LONG, 600 SERIES	HPSCS2	00011454	1
6	PANEL, STRAIGHT	PANEL, 2'-6" LONG, 600 SERIES	HPSD26P	00002021	1
7	PANEL, STRAIGHT	PANEL, 2'-8" LONG, 600 SERIES	HPSCS3P	00002156	1
8	PANEL, STRAIGHT	PANEL, 3'-9" LONG, 600 SERIES	HPSD39P	00001348	1
9	PANEL, STRAIGHT	PANEL, 4'-5" LONG, 600 SERIES	HPSCS5	00002169	1
10	PANEL, STRAIGHT	PANEL, 5' LONG, 600 SERIES	HPSD105P	00000674	4
11	PANEL, STRAIGHT	PANEL, 5'-6" LONG, 600 SERIES	HPSD1056P	00000649	1
12	PANEL, STRAIGHT	PANEL, 6'-5 1/8" LONG, 600 SERIES	HPSCS7	00002951	1
13	PANEL, STRAIGHT	PANEL, 8' LONG, 1084, 600 SERIES	HPSD10884	00002006	2
14	PANEL, STRAIGHT	PANEL, 8' LONG, 600 SERIES	HPSD108P	00000687	1
15	PANEL, STRAIGHT	PANEL, 8' LONG, INLET, 600 SERIES	HPSD108I	00000699	3
16	PANEL, STRAIGHT	PANEL, 8' LONG, LIGHT, 600 SERIES	HPSD108L	00000701	1
17	HS110N	STEP, 8", TWIN SEAT, 4 TREAD	HS110N	HS110N	1
18	PANEL, WEDGE	WEDGE, 2 1/2" X 2 1/2" X 90°-600-ASSEMBLY	HPSD6CA	00005721	4

UNLESS OTHERWISE SPECIFIED
 DIMENSIONS ARE IN INCHES
 TOLERANCES
 DECIMALS: X ± .1
 XX ± .01
 XXX ± .001
 XXXX ± .0005
 ANGULAR: X ± 0.5
 THIRD ANGLE PROJECTION

ENGINEERING DRAWING NUMBER: 00017472

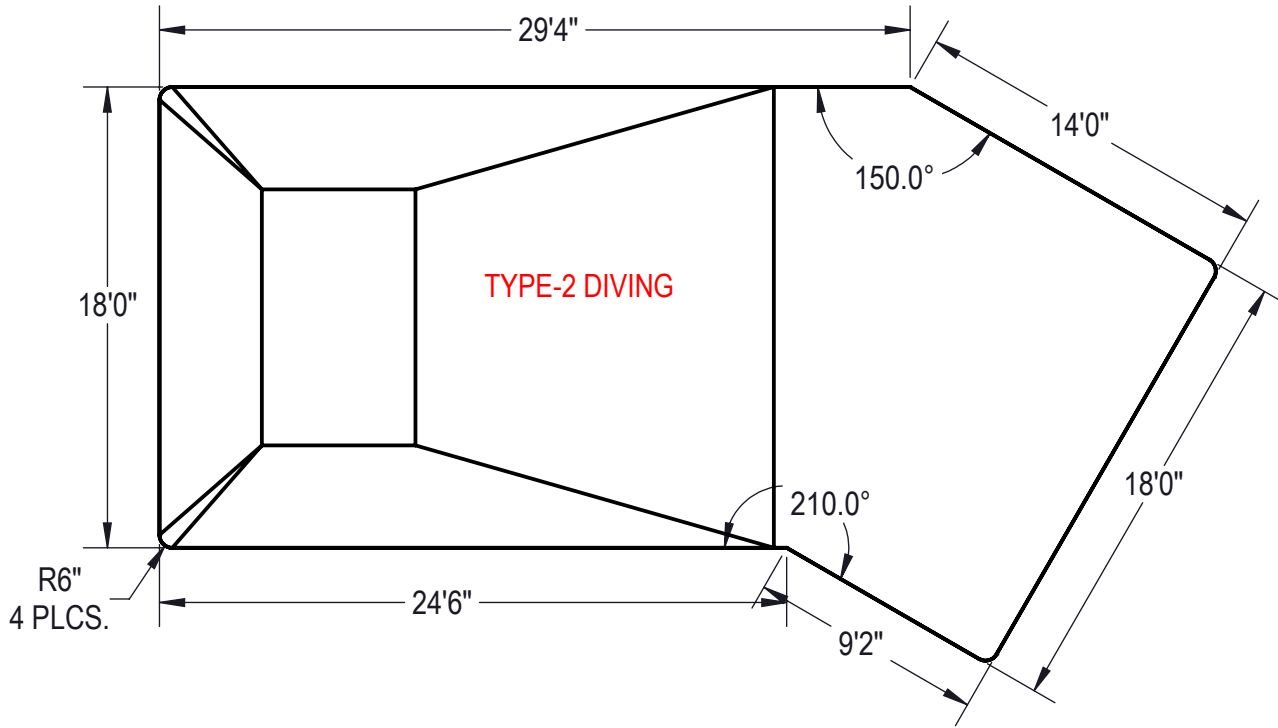
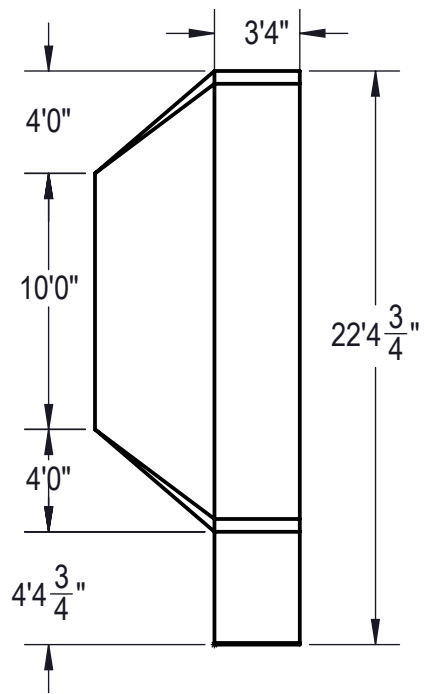
DESIGNED BY: BUMPFREY
 CREATION DATE: 8/15/2013
 DETAILED BY: RSANVICENTE
 DETAILED DATE: 1/31/2018
 LAST REVISED BY: hyeng
 LAST REVISED DATE: 1/31/2018
 MATERIAL:

HYDRA POOLS

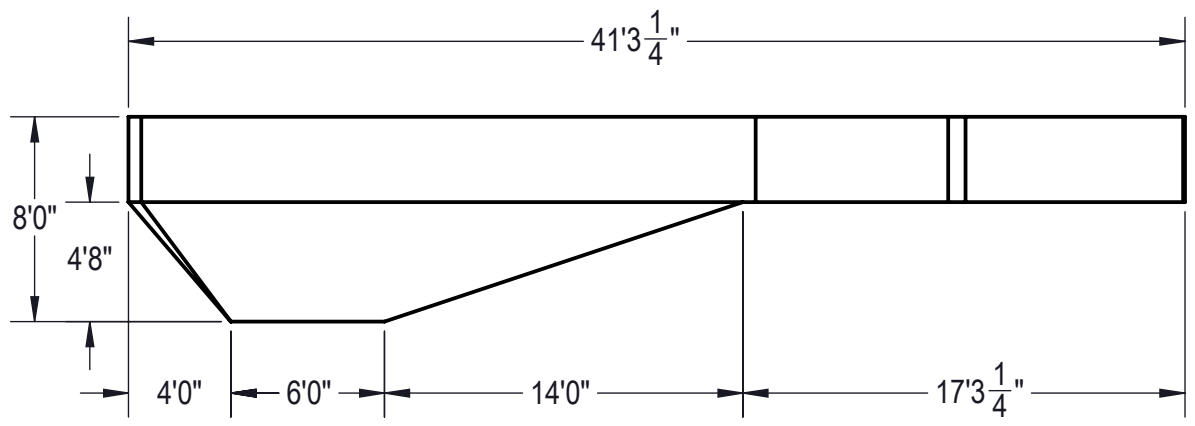
TITLE: LAYOUT, 18' X 41' LAZY L, LEFT, 6" RADIUS, 8" DEEP, HS110N, LIGHT, 3- INLET, 2- 1084, 600 SERIES

PART NUMBER: 00017472

SCALE: 1:192
 SHEET: 1 OF 4
 SIZE: A



Area: 692.78ft ^2
Perimeter: 112.14ft
Volume = 25023 US gallons



NOTES:

1. THESE ARE FINISHED DIMENSIONS READY FOR THE LINER.
2. DIMENSIONS ARE FROM INSIDE POOL PANELS.
3. ROPE AND FLOAT ASSEMBLY SHOULD BE INSTALLED IN ACCORDANCE WITH CURRENT ANSI/ASPS/ICC REGULATIONS
4. HYDRA LINER TRACK FOR STEPS IS INSTALLED WITH THE BARB FACING THE RISER WALL ON THE STEP.

EXCAVATION NOTES:

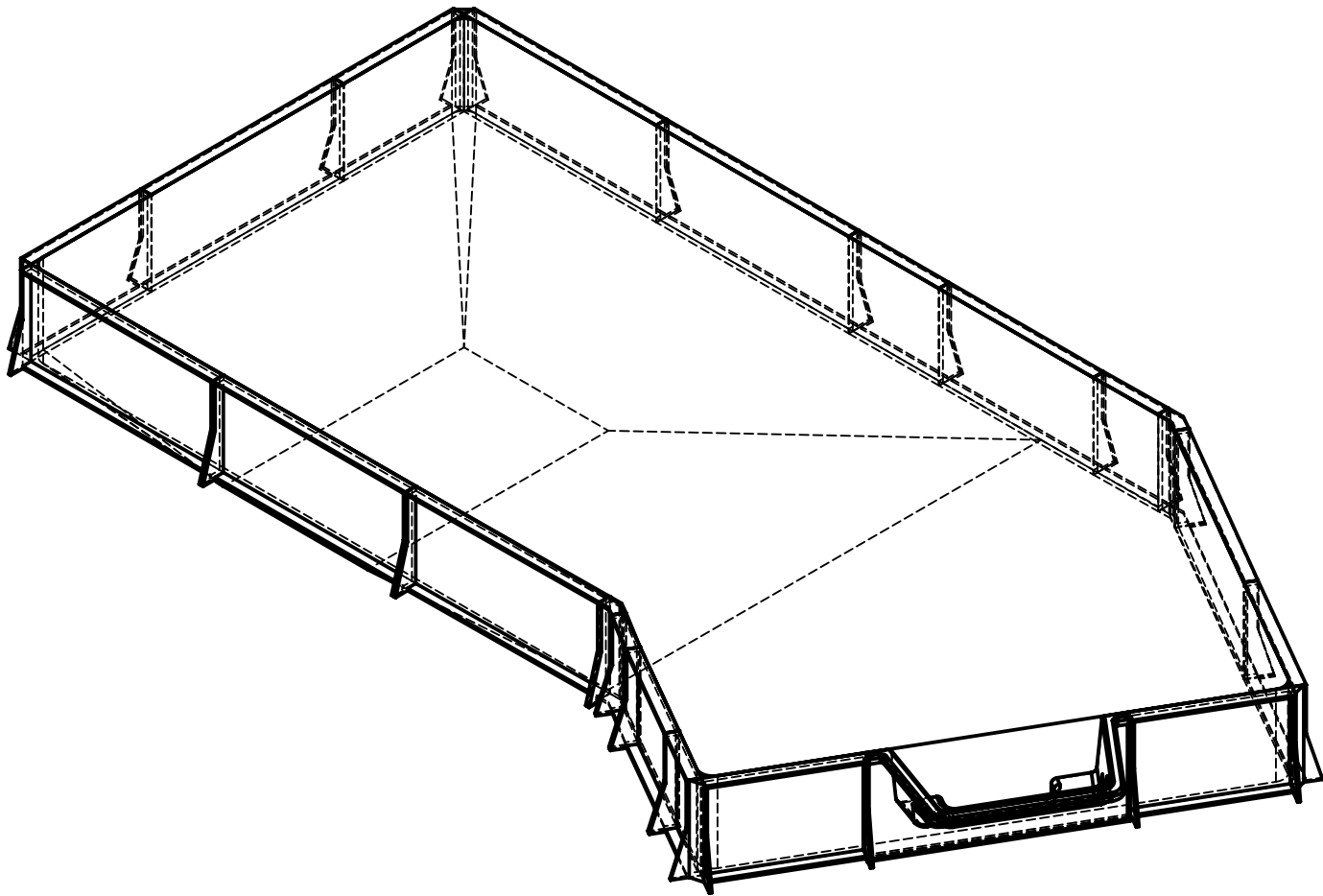
5. ROUGH EXCAVATION SHOULD BE 2" DEEPER IN EACH INSTANCE.
6. SOIL TO HAVE MINIMUM BEARING CAPACITY OF 1500 PSF.
7. LOCATE TOP OF POOL AT LEAST 6" ABOVE THE SURROUNDING LAND ELEVATION.
8. SEE "OVER DIG DETAIL" FOR EXCAVATION AROUND POOL.
9. FILL VOIDS UNDER BASE OF PANELS AND TAMP WELL.
10. BACK FILL WITH NON-EXPANSIVE MATERIAL.
11. FOLLOW ALL CURRENT ANSI / APSP / ICC GUIDELINES FOR RESIDENTIAL POOLS


IMPORTANT NOTES:

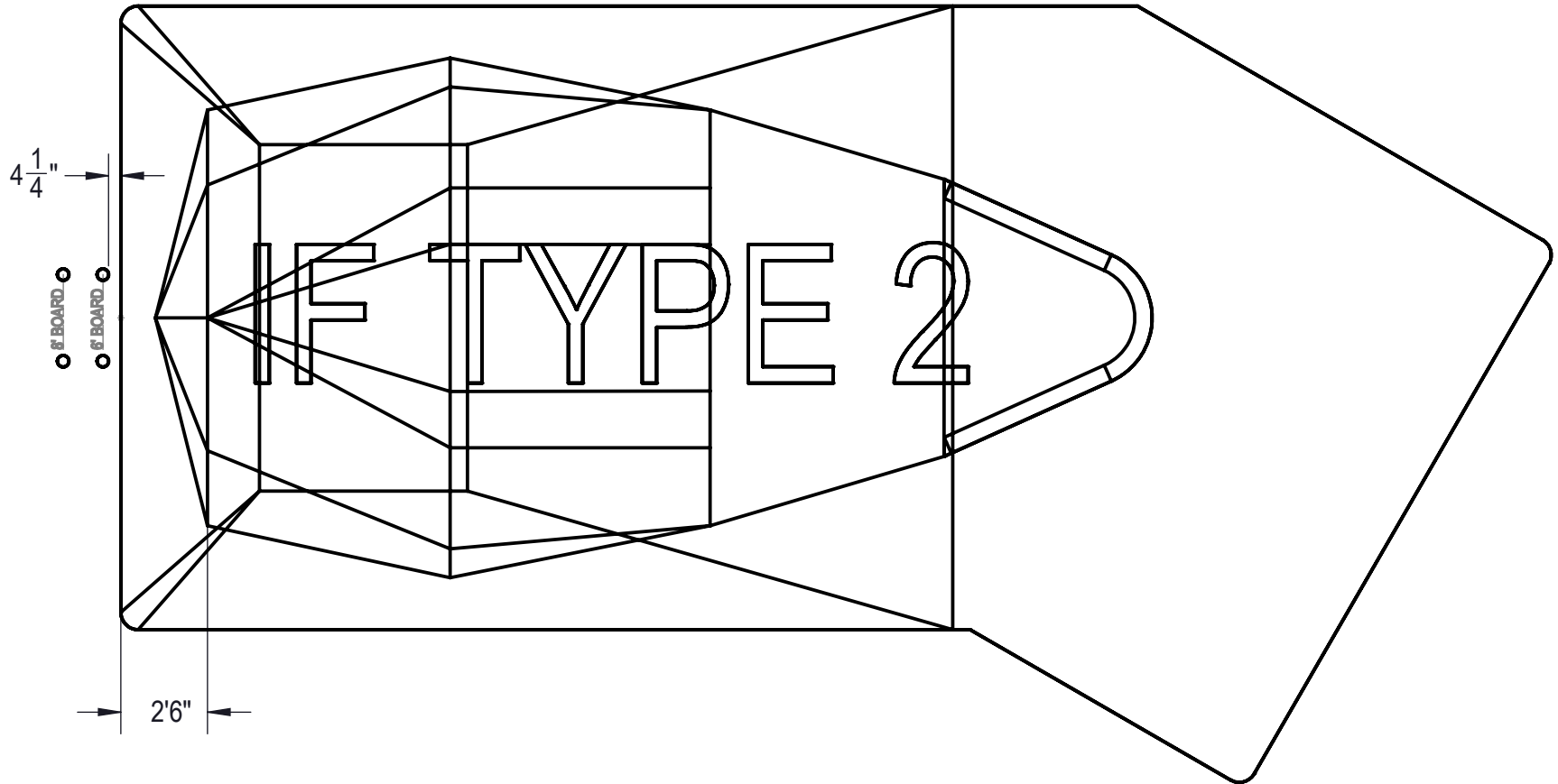
THIS DOCUMENT IS FOR ILLUSTRATIVE PURPOSES ONLY. THE DEALER OR CONTRACTOR WHO SELLS OR INSTALLS YOUR POOL IS AN INDEPENDENT CONTRACTOR AND IS NOT AN AGENT OF THE MANUFACTURER. THE CONSTRUCTION METHODS ILLUSTRATED HERE ARE SUGGESTIONS AND APPLY ONLY TO NORMAL GROUND CONDITIONS. THERE MAY BE ADDITIONAL PRECAUTIONS AND/OR METHODS OF CONSTRUCTION. PROPER INSTALLATION IS THE RESPONSIBILITY OF THE DEALER/BUILDER/CONTRACTOR.


ENGINEERING DRAWING NUMBER: 00017472	WEIGHT: 208828.196 lbs VOLUME: 5780346.188 Inch ³	UNLESS OTHERWISE SPECIFIED DIMENSIONS ARE IN INCHES TOLERANCES DECIMALS: X ± .1 XX ± .01 XXX ± .001 XXXX ± .0005 ANGULAR: X ± 0.5 THIRD ANGLE PROJECTION	DESIGNED BY: BUMPHREY	CREATION DATE: 8/15/2013	HYDRA POOLS		
	COLOR: NA HEAT TREAT: NA FINISH: NA TEXTURE: NA		DETAILED BY: RSANVICENTE	DETAILED DATE: 1/31/2018		TITLE: LAYOUT, 18' X 41' LAZY L, LEFT, 6" RADIUS, 8" DEEP, HS110N, LIGHT, 3- INLET, 2- 1084, 600 SERIES	
				LAST REVISED BY: hyeng	LAST REVISED DATE: 1/31/2018	PART NUMBER: 00017472	
				MATERIAL: Water		SCALE: 1:192 SHEET: 2 OF 4	

SIZE:
A



ENGINEERING DRAWING NUMBER: 00017472	WEIGHT: 323045.1 lbs	UNLESS OTHERWISE SPECIFIED DIMENSIONS ARE IN INCHES TOLERANCES DECIMALS: X ± .1 XX ± .01 XXX ± .001 XXXX ± .0005 ANGULAR: X ± 0.5 THIRD ANGLE PROJECTION 	DESIGNED BY: BUMPHREY	CREATION DATE: 8/15/2013	HYDRA POOLS
	VOLUME: Inch³		DETAILED BY: RSANVICENTE	DETAILED DATE: 1/31/2018	
	COLOR:		LAST REVISED BY: hyeng	LAST REVISED DATE: 1/31/2018	TITLE: LAYOUT, 18' X 41' LAZY L, LEFT, 6" RADIUS, 8" DEEP, HS110N, LIGHT, 3- INLET, 2- 1084, 600 SERIES
	HEAT TREAT:		MATERIAL:		
	FINISH:		PART NUMBER:		
	TEXTURE:		00017472		SCALE: 1:192 SHEET: 3 OF 4



ENGINEERING DRAWING NUMBER: 00017472	WEIGHT: 323045.1 lbs	UNLESS OTHERWISE SPECIFIED DIMENSIONS ARE IN INCHES TOLERANCES DECIMALS: X ± .1 XX ± .01 XXX ± .001 XXXX ± .0005 ANGULAR: X ± 0.5 THIRD ANGLE PROJECTION 	DESIGNED BY: BUMPHREY	CREATION DATE: 8/15/2013	HYDRA POOLS
	VOLUME: Inch ³		DETAILED BY: RSANVICENTE	DETAILED DATE: 1/31/2018	
	COLOR:		LAST REVISED BY: hyeng	LAST REVISED DATE: 1/31/2018	TITLE: LAYOUT, 18' X 41' LAZY L, LEFT, 6" RADIUS, 8" DEEP, HS110N, LIGHT, 3- INLET, 2- 1084, 600 SERIES
	HEAT TREAT:		MATERIAL:		
	FINISH:		PART NUMBER:		
	TEXTURE:		00017472		
			SCALE: 1:192	SIZE: A	
			SHEET: 4 OF 4		