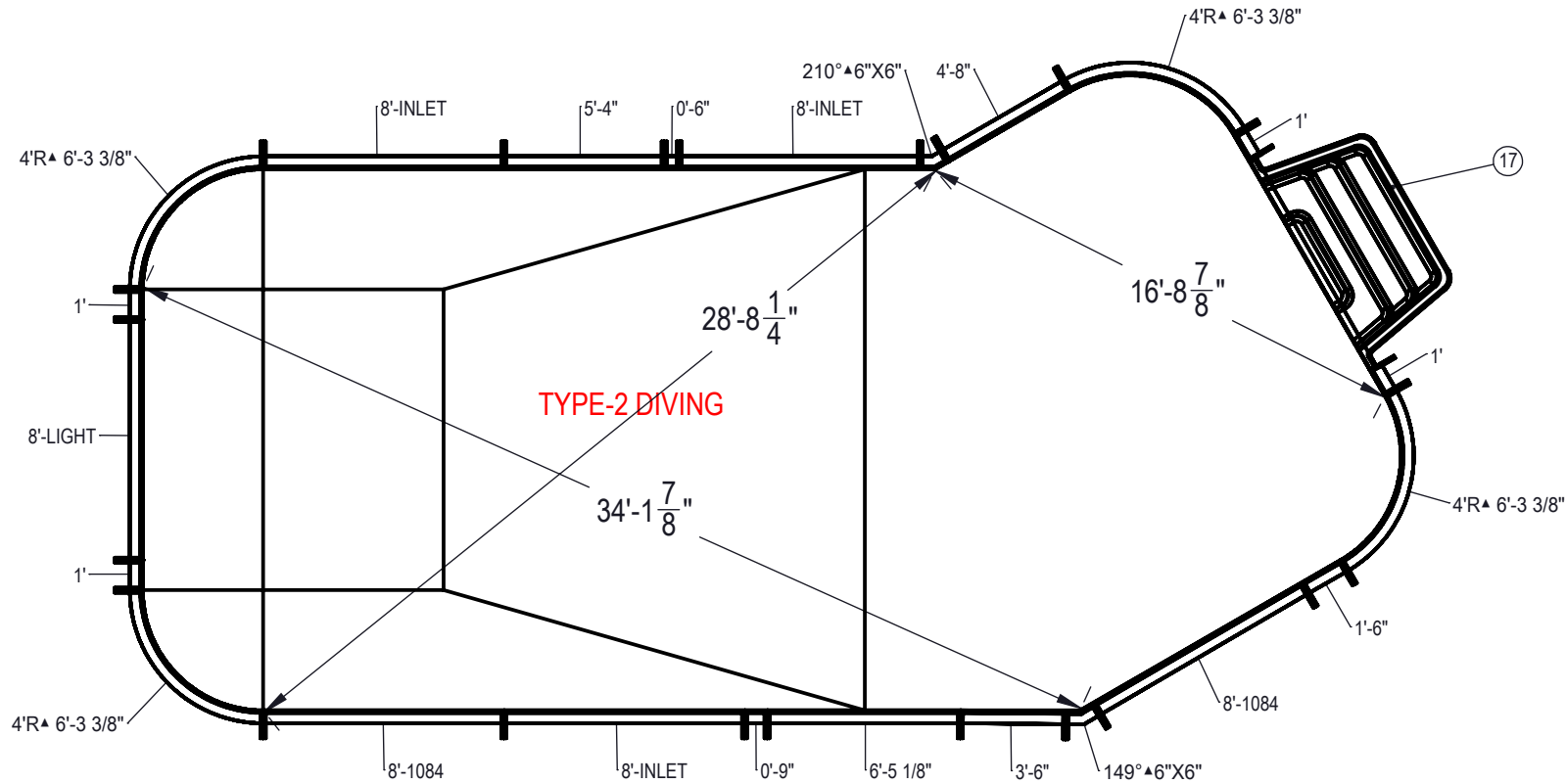


REVISION HISTORY				
REV.	DESCRIPTION	DATE	ECO	BY



NOTES:

- THESE ARE FINISHED DIMENSIONS READY FOR THE LINER.
- DIMENSIONS ARE FROM INSIDE POOL PANELS.
- ROPE AND FLOAT ASSEMBLY SHOULD BE INSTALLED IN ACCORDANCE WITH CURRENT ANSI/ASPS/ICC REGULATIONS
- HYDRA LINER TRACK FOR STEPS IS INSTALLED WITH THE BARB FACING THE RISER WALL ON THE STEP.

EXCAVATION NOTES:

- ROUGH EXCAVATION SHOULD BE 2" DEEPER IN EACH INSTANCE.
- SOIL TO HAVE MINIMUM BEARING CAPACITY OF 1500 PSF.
- LOCATE TOP OF POOL AT LEAST 6" ABOVE THE SURROUNDING LAND ELEVATION.
- SEE "OVER DIG DETAIL" FOR EXCAVATION AROUND POOL.
- FILL VOIDS UNDER BASE OF PANELS AND TAMP WELL.
- BACK FILL WITH NON-EXPANSIVE MATERIAL.
- FOLLOW ALL CURRENT ANSI / APSP / ICC GUIDELINES FOR RESIDENTIAL POOLS

IMPORTANT NOTES:

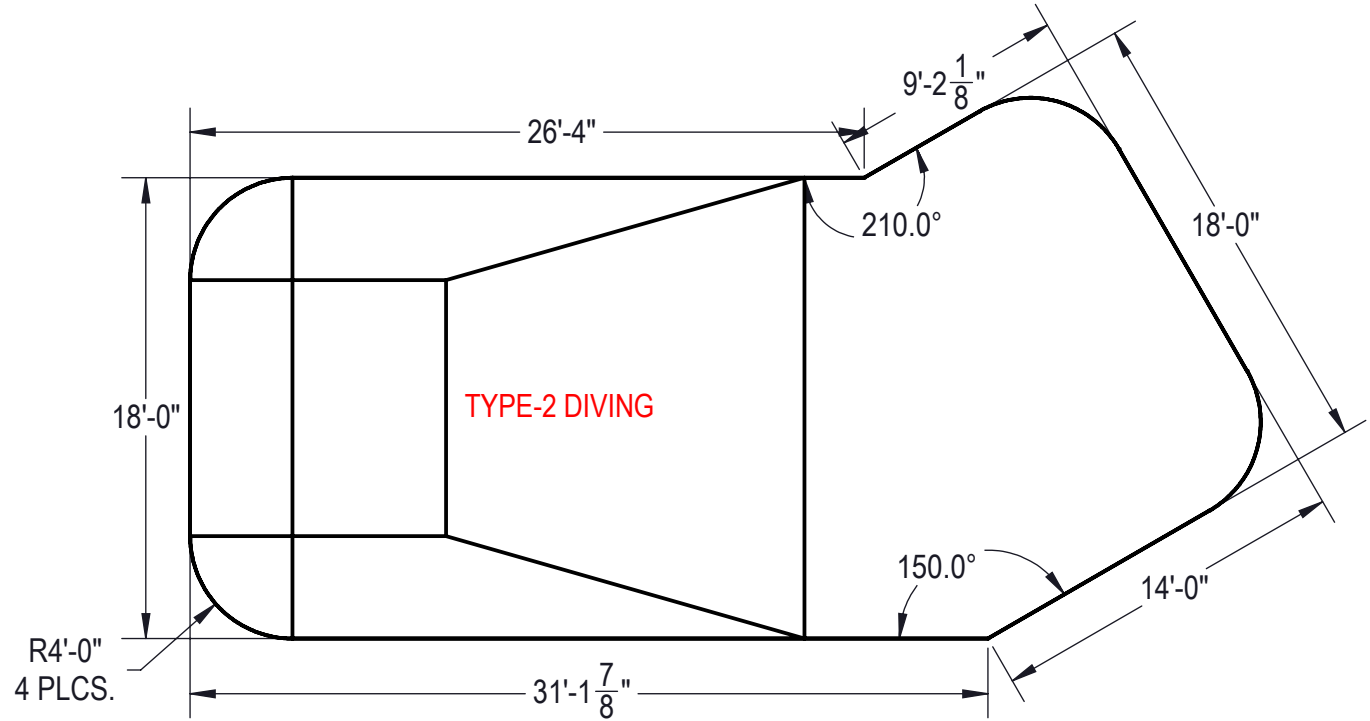
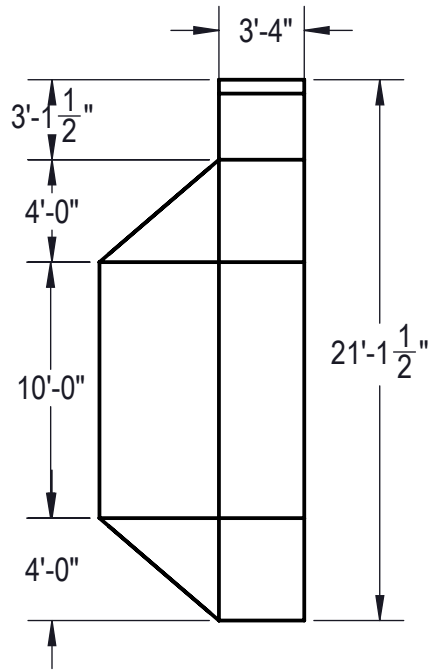
THIS DOCUMENT IS FOR ILLUSTRATIVE PURPOSES ONLY. THE DEALER OR CONTRACTOR WHO SELLS OR INSTALLS YOUR POOL IS AN INDEPENDENT CONTRACTOR AND IS NOT AN AGENT OF THE MANUFACTURER. THE CONSTRUCTION METHODS ILLUSTRATED HERE ARE SUGGESTIONS AND APPLY ONLY TO NORMAL GROUND CONDITIONS. THERE MAY BE ADDITIONAL PRECAUTIONS AND/OR METHODS OF CONSTRUCTION. PROPER INSTALLATION IS THE RESPONSIBILITY OF THE DEALER/BUILDER/CONTRACTOR.

ITEM	FILE NAME	DESCRIPTION	CUSTOMER DRAWING #	VENDOR PART #	QTY.
1	BOLT, PACK	BOLT, FLANGE, 3/8-16 X 1", PACK (50)	HPS1916	HPS1916	6
2	SBRACE	BRACE, FOLD OVER WITH TURNBUCKLE, STEEL, HPSFOB	HPSFOB	HPSFOB	24
3	PANEL, ANGLE	PANEL, ANGLE, 6" X 6" X 149°, 600 SERIES	HPSD6X6149	00001388	1
4	PANEL, ANGLE	PANEL, ANGLE, 6" X 6" X 210°, 600 SERIES	HPSDLLR	00001675	1
5	PANEL, STRAIGHT	PANEL, 0'-6" LONG, 600 SERIES	HPSD6P	00001405	1
6	PANEL, STRAIGHT	PANEL, 0'-9" LONG, 600 SERIES	HPSD9P	00001694	1
7	PANEL, STRAIGHT	PANEL, 1' LONG, 600 SERIES	HPSP101P	00000621	4
8	PANEL, STRAIGHT	PANEL, 1'-6" LONG, 600 SERIES	HPSP16P	00001252	1
9	PANEL, STRAIGHT	PANEL, 3'-6" LONG, 600 SERIES	HPSP1036P	00002022	1
10	PANEL, RADIUS	PANEL, 4' RADIUS, 6'-3 3/8" LONG, 600 SERIES	HPSD4R	00000289	4
11	PANEL, STRAIGHT	PANEL, 4'-8" LONG, 600 SERIES	HPSC5	00009744	1
12	PANEL, STRAIGHT	PANEL, 5'-4" LONG, 600 SERIES	HPSC6	00005638	1
13	PANEL, STRAIGHT	PANEL, 6'-5 1/8" LONG, 600 SERIES	HPSC7	00002951	1
14	PANEL, STRAIGHT	PANEL, 8' LONG, 1084, 600 SERIES	HPSP10884	00002006	2
15	PANEL, STRAIGHT	PANEL, 8' LONG, INLET, 600 SERIES	HPSP108I	00000699	3
16	PANEL, STRAIGHT	PANEL, 8' LONG, LIGHT, 600 SERIES	HPSP108L	00000701	1
17	HS110N	STEP, 8", TWIN SEAT, 4 TREAD	HS110N	HS110N	1

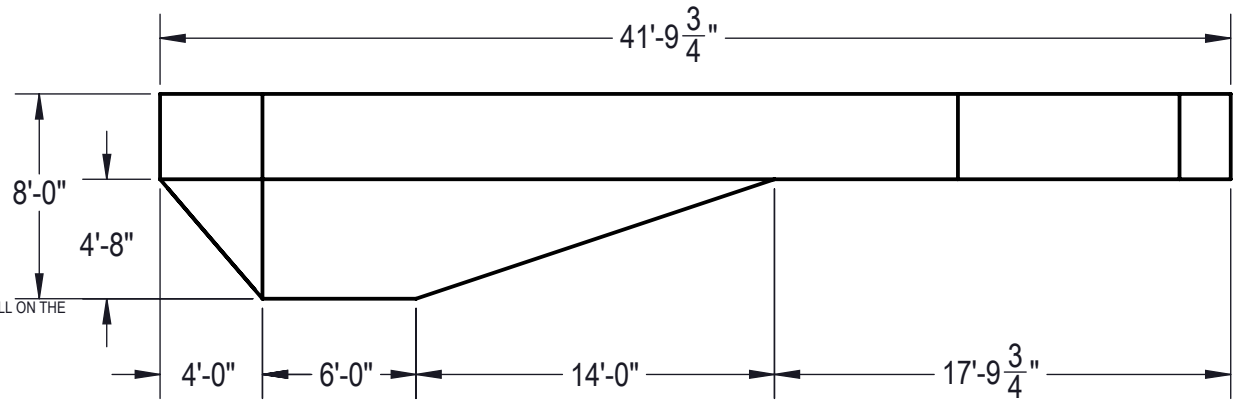
ENGINEERING DRAWING NUMBER: 00017482	WEIGHT: 325845.0 lbs	UNLESS OTHERWISE SPECIFIED DIMENSIONS ARE IN INCHES TOLERANCES DECIMALS: X ± .1 XX ± .01 XXX ± .001 XXXX ± .0005 ANGULAR: X ± 0.5 THIRD ANGLE PROJECTION
	VOLUME: Inch ³	
	COLOR:	
	HEAT TREAT:	
	FINISH:	
	TEXTURE:	

DESIGNED BY: JBOSSERDET	CREATION DATE: 3/15/2013
DETAILED BY: RSANVICENTE	DETAILED DATE: 1/31/2017
LAST REVISED BY: hyeng	LAST REVISED DATE: 1/31/2018
MATERIAL:	

HYDRA POOLS	
TITLE: LAYOUT, 18' X 41'-10" LAZY L, RIGHT, 4' RADIUS, 8' DEEP, HS110N, LIGHT, 3- INLET, 2- 1084, 600 SERIES	
PART NUMBER: 00017482	SCALE: 1:60 SHEET: 1 OF 4
	SIZE: A



Area: 712.27ft ^2
Perimeter: 109.80ft
Volume = 25430 US gallons



NOTES:

1. THESE ARE FINISHED DIMENSIONS READY FOR THE LINER.
2. DIMENSIONS ARE FROM INSIDE POOL PANELS.
3. ROPE AND FLOAT ASSEMBLY SHOULD BE INSTALLED IN ACCORDANCE WITH CURRENT ANSI/ASPS/ICC REGULATIONS
4. HYDRA LINER TRACK FOR STEPS IS INSTALLED WITH THE BARB FACING THE RISER WALL ON THE STEP.

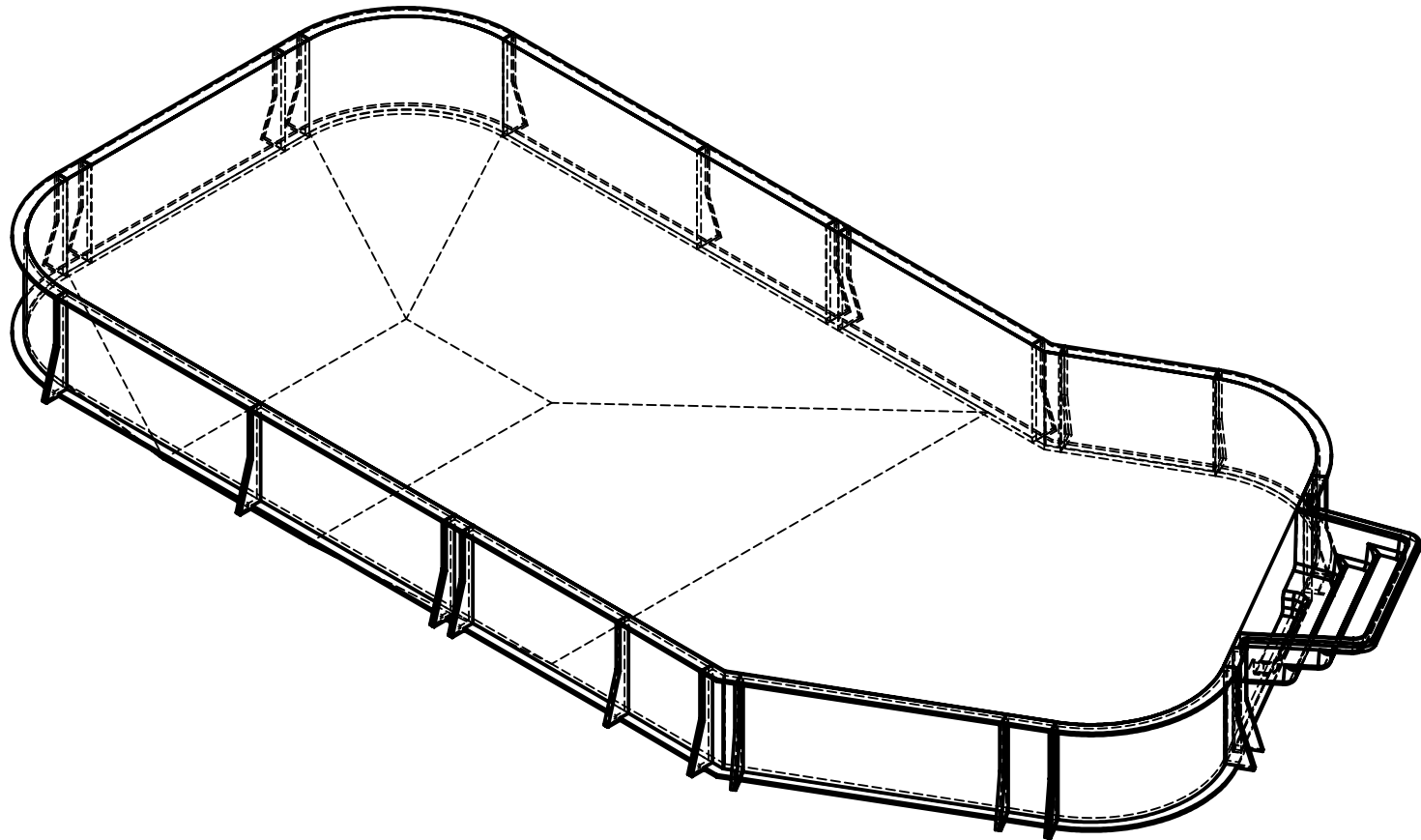
EXCAVATION NOTES:


5. ROUGH EXCAVATION SHOULD BE 2" DEEPER IN EACH INSTANCE.
6. SOIL TO HAVE MINIMUM BEARING CAPACITY OF 1500 PSF.
7. LOCATE TOP OF POOL AT LEAST 6" ABOVE THE SURROUNDING LAND ELEVATION.
8. SEE "OVER DIG DETAIL" FOR EXCAVATION AROUND POOL.
9. FILL VOIDS UNDER BASE OF PANELS AND TAMP WELL.
10. BACK FILL WITH NON-EXPANSIVE MATERIAL.
11. FOLLOW ALL CURRENT ANSI / APSP / ICC GUIDELINES FOR RESIDENTIAL POOLS

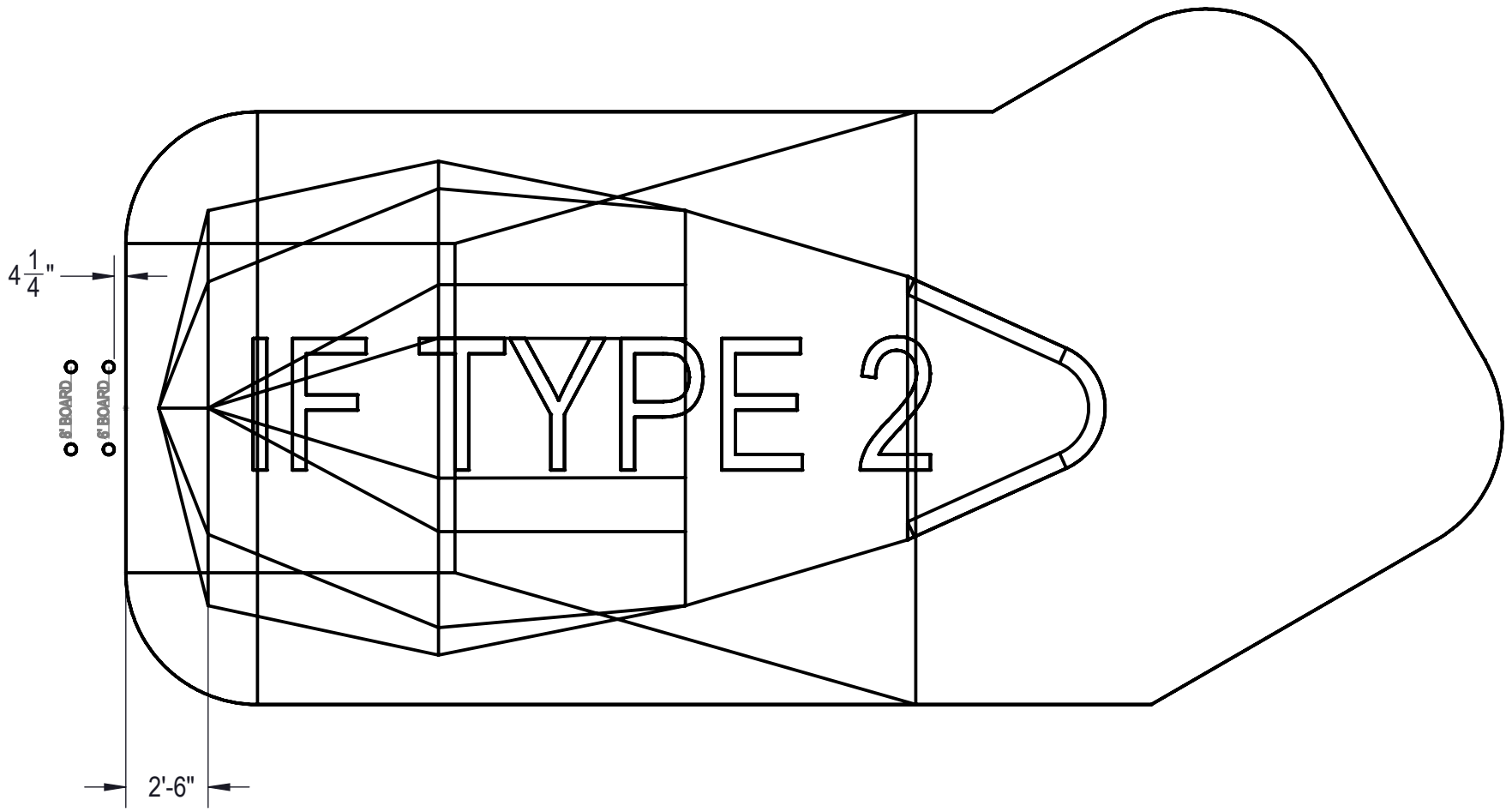
IMPORTANT NOTES:


THIS DOCUMENT IS FOR ILLUSTRATIVE PURPOSES ONLY. THE DEALER OR CONTRACTOR WHO SELLS OR INSTALLS YOUR POOL IS AN INDEPENDENT CONTRACTOR AND IS NOT AN AGENT OF THE MANUFACTURER. THE CONSTRUCTION METHODS ILLUSTRATED HERE ARE SUGGESTIONS AND APPLY ONLY TO NORMAL GROUND CONDITIONS. THERE MAY BE ADDITIONAL PRECAUTIONS AND/OR METHODS OF CONSTRUCTION. PROPER INSTALLATION IS THE RESPONSIBILITY OF THE DEALER/BUILDER/CONTRACTOR.

ENGINEERING DRAWING NUMBER: 00017482	WEIGHT:	UNLESS OTHERWISE SPECIFIED DIMENSIONS ARE IN INCHES TOLERANCES DECIMALS: X ± .1 XX ± .01 XXX ± .001 XXXX ± .0005 ANGULAR: X ± 0.5 THIRD ANGLE PROJECTION	DESIGNED BY:	CREATION DATE:	HYDRA POOLS		
	VOLUME:		BUMPHREY	3/15/2013			
	Inch ³			DETAILED BY:	DETAILED DATE:	TITLE: LAYOUT, 18' X 41'-10" LAZY L, RIGHT, 4' RADIUS, 8" DEEP, HS110N, LIGHT, 3- INLET, 2- 1084, 600 SERIES	
	COLOR:			RSANVICENTE	1/31/2017		
NA		LAST REVISED BY:	LAST REVISED DATE:	PART NUMBER: 00017482			
HEAT TREAT:		hyeng	1/31/2018			SCALE: 1:84	SIZE: A
NA		FINISH:		SHEET: 2 OF 4			
NA		TEXTURE:					



ENGINEERING DRAWING NUMBER: 00017482	WEIGHT: 325845.0 lbs	UNLESS OTHERWISE SPECIFIED DIMENSIONS ARE IN INCHES TOLERANCES DECIMALS: X ± .1 XX ± .01 XXX ± .001 XXXX ± .0005 ANGULAR: X ± 0.5 THIRD ANGLE PROJECTION 	DESIGNED BY: JBOSSEDET	CREATION DATE: 3/15/2013	HYDRA POOLS		
	VOLUME: Inch ³		DETAILED BY: RSANVICENTE	DETAILED DATE: 1/31/2017			
	COLOR:		LAST REVISED BY: hyeng	LAST REVISED DATE: 1/31/2018			
	HEAT TREAT:		MATERIAL:		TITLE: LAYOUT, 18' X 41'-10" LAZY L, RIGHT, 4' RADIUS, 8' DEEP, HS110N, LIGHT, 3- INLET, 2- 1084, 600 SERIES		
	FINISH:				PART NUMBER:	SCALE: 1:60	SIZE: A
	TEXTURE:				00017482		SHEET: 3 OF 4



ENGINEERING DRAWING NUMBER: 00017482	WEIGHT: 325845.0 lbs	UNLESS OTHERWISE SPECIFIED DIMENSIONS ARE IN INCHES TOLERANCES DECIMALS: X ± .1 XX ± .01 XXX ± .001 XXXX ± .0005 ANGULAR: X ± 0.5 THIRD ANGLE PROJECTION 	DESIGNED BY: JBOSSEDET	CREATION DATE: 3/15/2013	HYDRA POOLS TITLE: LAYOUT, 18' X 41'-10" LAZY L, RIGHT, 4' RADIUS, 8" DEEP, HS110N, LIGHT, 3- INLET, 2- 1084, 600 SERIES		
	VOLUME: Inch ³		DETAILED BY: RSANVICENTE	DETAILED DATE: 1/31/2017			
	COLOR:		LAST REVISED BY: hyeng	LAST REVISED DATE: 1/31/2018			
	HEAT TREAT:		MATERIAL:		PART NUMBER:	SCALE: 1:60	00017482 SIZE: A
	FINISH:				SHEET: 4 OF 4		
	TEXTURE:						