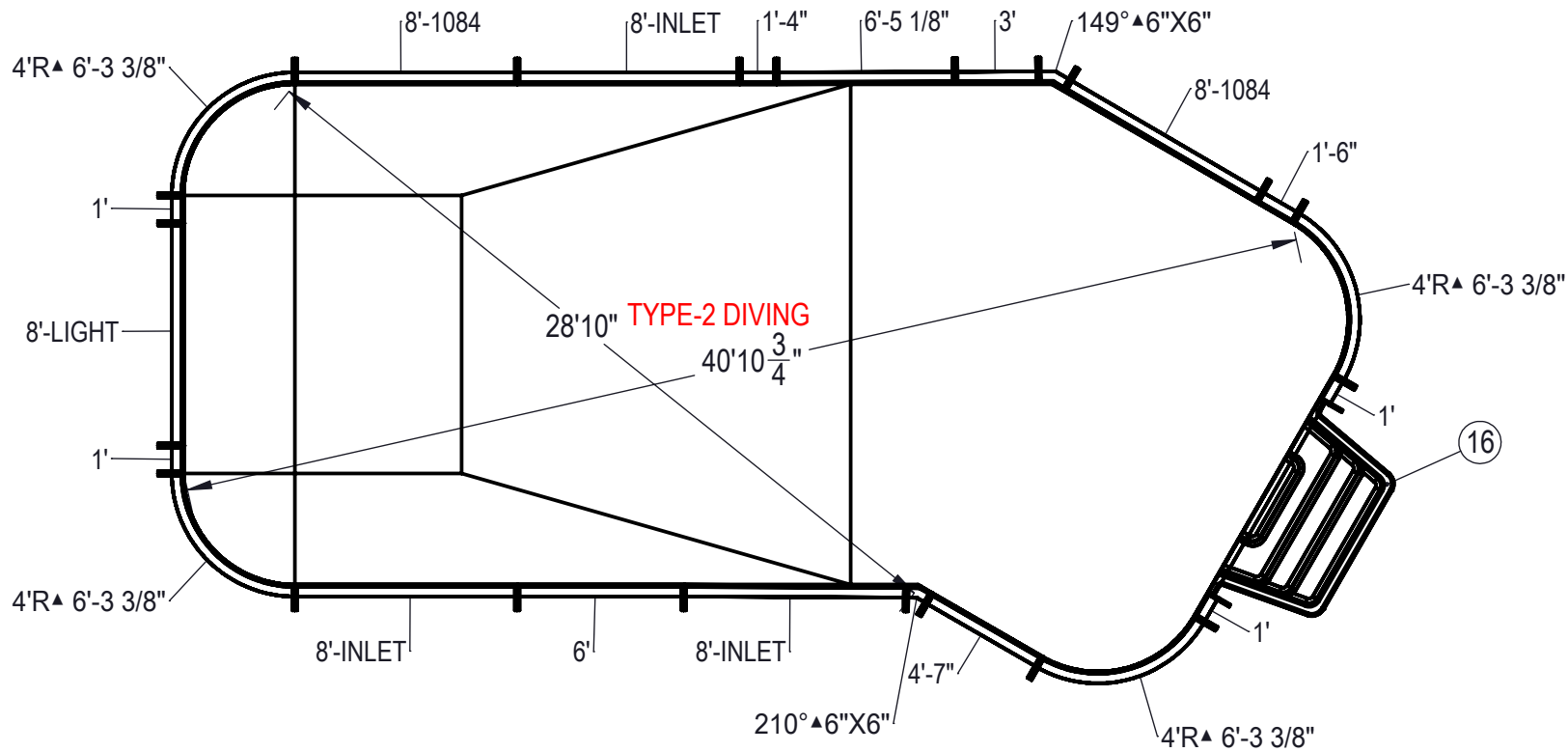


REVISION HISTORY				
REV.	DESCRIPTION	DATE	ECO	BY



NOTES:

- THESE ARE FINISHED DIMENSIONS READY FOR THE LINER.
- DIMENSIONS ARE FROM INSIDE POOL PANELS.
- ROPE AND FLOAT ASSEMBLY SHOULD BE INSTALLED IN ACCORDANCE WITH CURRENT ANSI/ASPS/ICC REGULATIONS
- HYDRA LINER TRACK FOR STEPS IS INSTALLED WITH THE BARB FACING THE RISER WALL ON THE STEP.

EXCAVATION NOTES:

- ROUGH EXCAVATION SHOULD BE 2" DEEPER IN EACH INSTANCE.
- SOIL TO HAVE MINIMUM BEARING CAPACITY OF 1500 PSF.
- LOCATE TOP OF POOL AT LEAST 6" ABOVE THE SURROUNDING LAND ELEVATION.
- SEE "OVER DIG DETAIL" FOR EXCAVATION AROUND POOL.
- FILL VOIDS UNDER BASE OF PANELS AND TAMP WELL.
- BACK FILL WITH NON-EXPANSIVE MATERIAL.
- FOLLOW ALL CURRENT ANSI / APSP / ICC GUIDELINES FOR RESIDENTIAL POOLS

IMPORTANT NOTES:

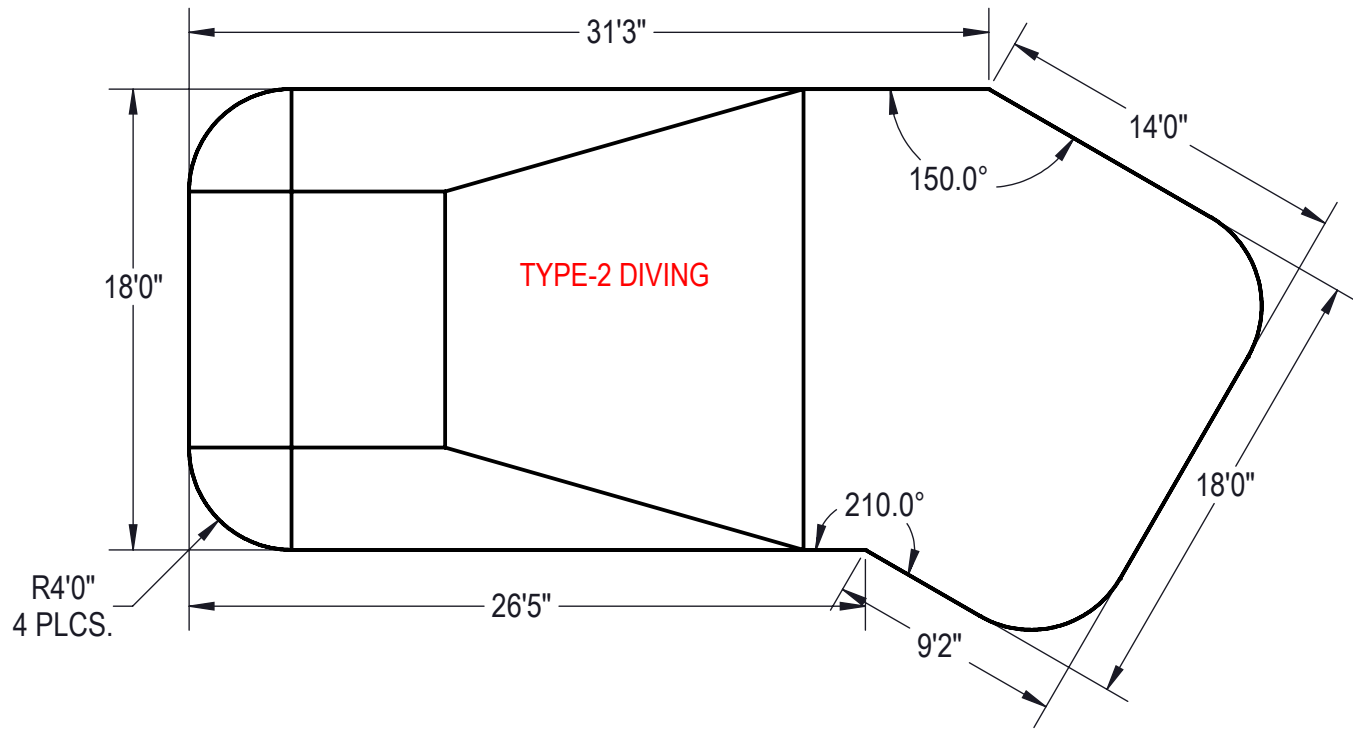
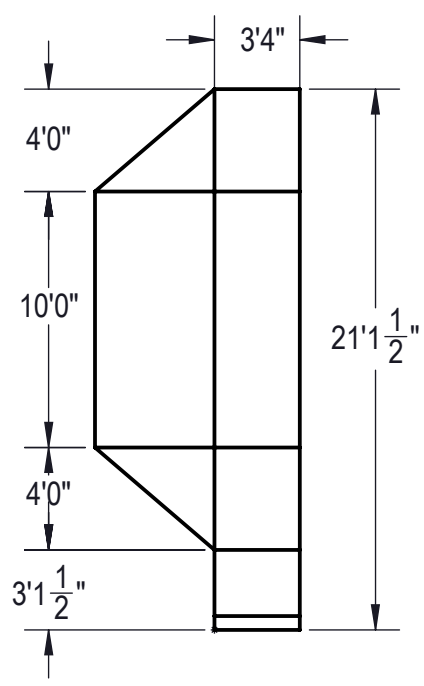
THIS DOCUMENT IS FOR ILLUSTRATIVE PURPOSES ONLY. THE DEALER OR CONTRACTOR WHO SELLS OR INSTALLS YOUR POOL IS AN INDEPENDENT CONTRACTOR AND IS NOT AN AGENT OF THE MANUFACTURER. THE CONSTRUCTION METHODS ILLUSTRATED HERE ARE SUGGESTIONS AND APPLY ONLY TO NORMAL GROUND CONDITIONS. THERE MAY BE ADDITIONAL PRECAUTIONS AND/OR METHODS OF CONSTRUCTION. PROPER INSTALLATION IS THE RESPONSIBILITY OF THE DEALER/BUILDER/CONTRACTOR.

ITEM	FILE NAME	DESCRIPTION	CUSTOMER DRAWING #	VENDOR PART #	QTY.
1	BOLT, PACK	BOLT, FLANGE, 3/8-16 X 1", PACK (50)	HPS1916	HPS1916	6
2	SBRACE	BRACE, FOLD OVER WITH TURNBUCKLE, STEEL, HPSFOB	HPSFOB	HPSFOB	23
3	PANEL, ANGLE	PANEL, ANGLE, 6" X 6" X 149°, 600 SERIES	HPSD6X6149	00001388	1
4	PANEL, ANGLE	PANEL, ANGLE, 6" X 6" X 210°, 600 SERIES	HPSDLLR	00001675	1
5	PANEL, STRAIGHT	PANEL, 1' LONG, 600 SERIES	HPSD101P	00000621	4
6	PANEL, STRAIGHT	PANEL, 1'-4" LONG, 600 SERIES	HPSCS2	00004831	1
7	PANEL, STRAIGHT	PANEL, 1'-6" LONG, 600 SERIES	HPSD16P	00001252	1
8	PANEL, STRAIGHT	PANEL, 3' LONG, 600 SERIES	HPSD103P	00000643	1
9	PANEL, RADIUS	PANEL, 4' RADIUS, 6'-3 3/8" LONG, 600 SERIES	HPSD4R	00000289	4
10	PANEL, STRAIGHT	PANEL, 4'-7" LONG, 600 SERIES	HPSCS5	00006540	1
11	PANEL, STRAIGHT	PANEL, 6' LONG, 600 SERIES	HPSD106P	00000676	1
12	PANEL, STRAIGHT	PANEL, 6'-5 1/8" LONG, 600 SERIES	HPSCS7	00002951	1
13	PANEL, STRAIGHT	PANEL, 8' LONG, 1084, 600 SERIES	HPSD10884	00002006	2
14	PANEL, STRAIGHT	PANEL, 8' LONG, INLET, 600 SERIES	HPSD108I	00000699	3
15	PANEL, STRAIGHT	PANEL, 8' LONG, LIGHT, 600 SERIES	HPSD108L	00000701	1
16	HS110N	STEP, 8", TWIN SEAT, 4 TREAD	HS110N	HS110N	1

ENGINEERING DRAWING NUMBER: 00017487	WEIGHT: 325974.1 lbs	UNLESS OTHERWISE SPECIFIED DIMENSIONS ARE IN INCHES TOLERANCES DECIMALS: X ± .1 XX ± .01 XXX ± .001 XXXX ± .0005 ANGULAR: X ± 0.5 THIRD ANGLE PROJECTION
	VOLUME: Inch³	
	COLOR:	
	HEAT TREAT:	
	FINISH:	
	TEXTURE:	

DESIGNED BY: BUMPHREY	CREATION DATE: 8/15/2013
DETAILED BY: RSANVICENTE	DETAILED DATE: 1/31/2018
LAST REVISED BY: hyeng	LAST REVISED DATE: 1/31/2018
MATERIAL:	

HYDRA POOLS	
TITLE: LAYOUT, 18' X 41'-10" LAZY L, LEFT, 4' RADIUS, 8' DEEP, HS110N, LIGHT, 3- INLET, 2- 1084, 600 SERIES	
PART NUMBER: 00017487	SCALE: 1:192 SHEET: 1 OF 4 SIZE: A



Area: 713.76ft ^2
Perimeter: 109.97ft
Volume = 25468 US gallons

NOTES:

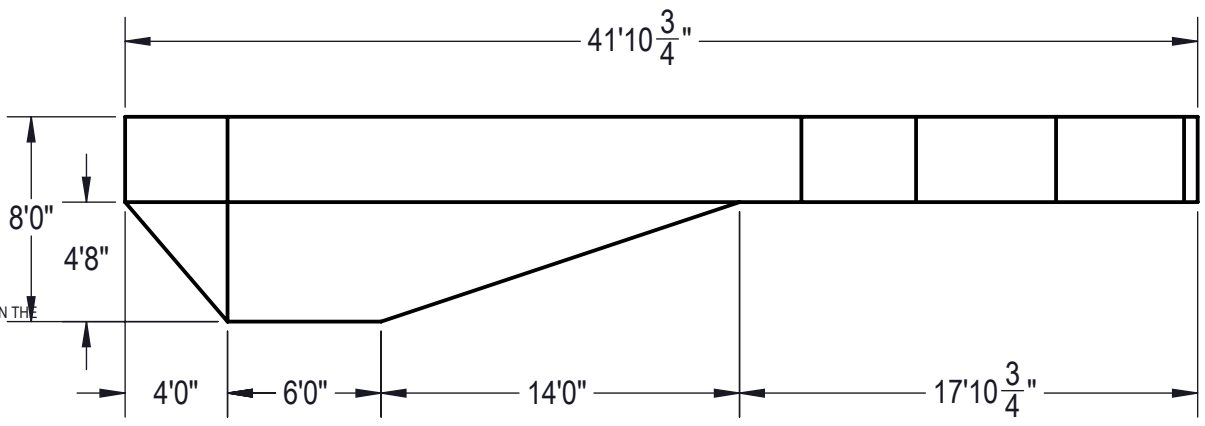
1. THESE ARE FINISHED DIMENSIONS READY FOR THE LINER.
2. DIMENSIONS ARE FROM INSIDE POOL PANELS.
3. ROPE AND FLOAT ASSEMBLY SHOULD BE INSTALLED IN ACCORDANCE WITH CURRENT ANSI/ASPS/ICC REGULATIONS
4. HYDRA LINER TRACK FOR STEPS IS INSTALLED WITH THE BARB FACING THE RISER WALL ON THE STEP.

EXCAVATION NOTES:

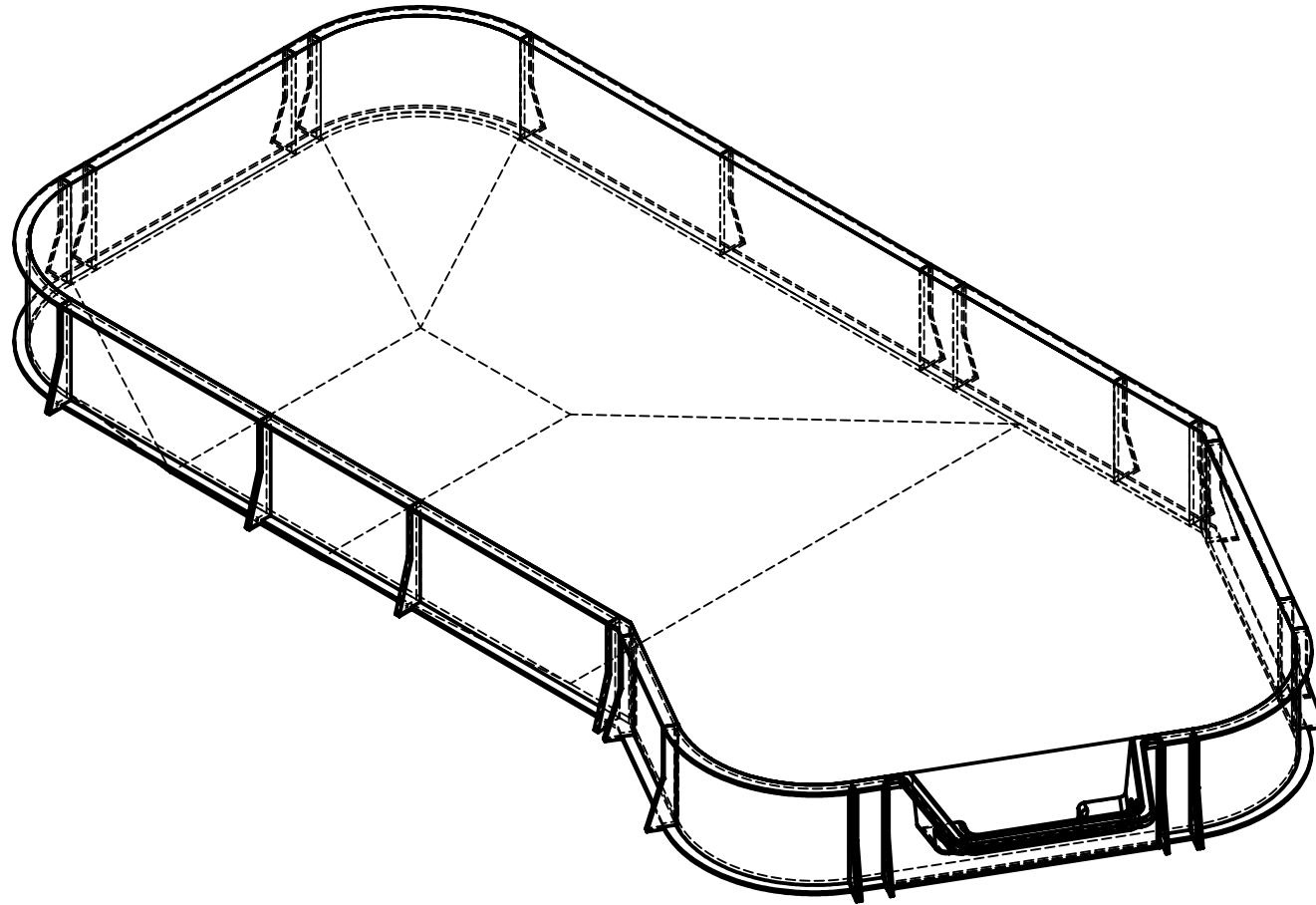
5. ROUGH EXCAVATION SHOULD BE 2" DEEPER IN EACH INSTANCE.
6. SOIL TO HAVE MINIMUM BEARING CAPACITY OF 1500 PSF.
7. LOCATE TOP OF POOL AT LEAST 6" ABOVE THE SURROUNDING LAND ELEVATION.
8. SEE "OVER DIG DETAIL" FOR EXCAVATION AROUND POOL.
9. FILL VOIDS UNDER BASE OF PANELS AND TAMP WELL.
10. BACK FILL WITH NON-EXPANSIVE MATERIAL.
11. FOLLOW ALL CURRENT ANSI / APSP / ICC GUIDELINES FOR RESIDENTIAL POOLS


IMPORTANT NOTES:

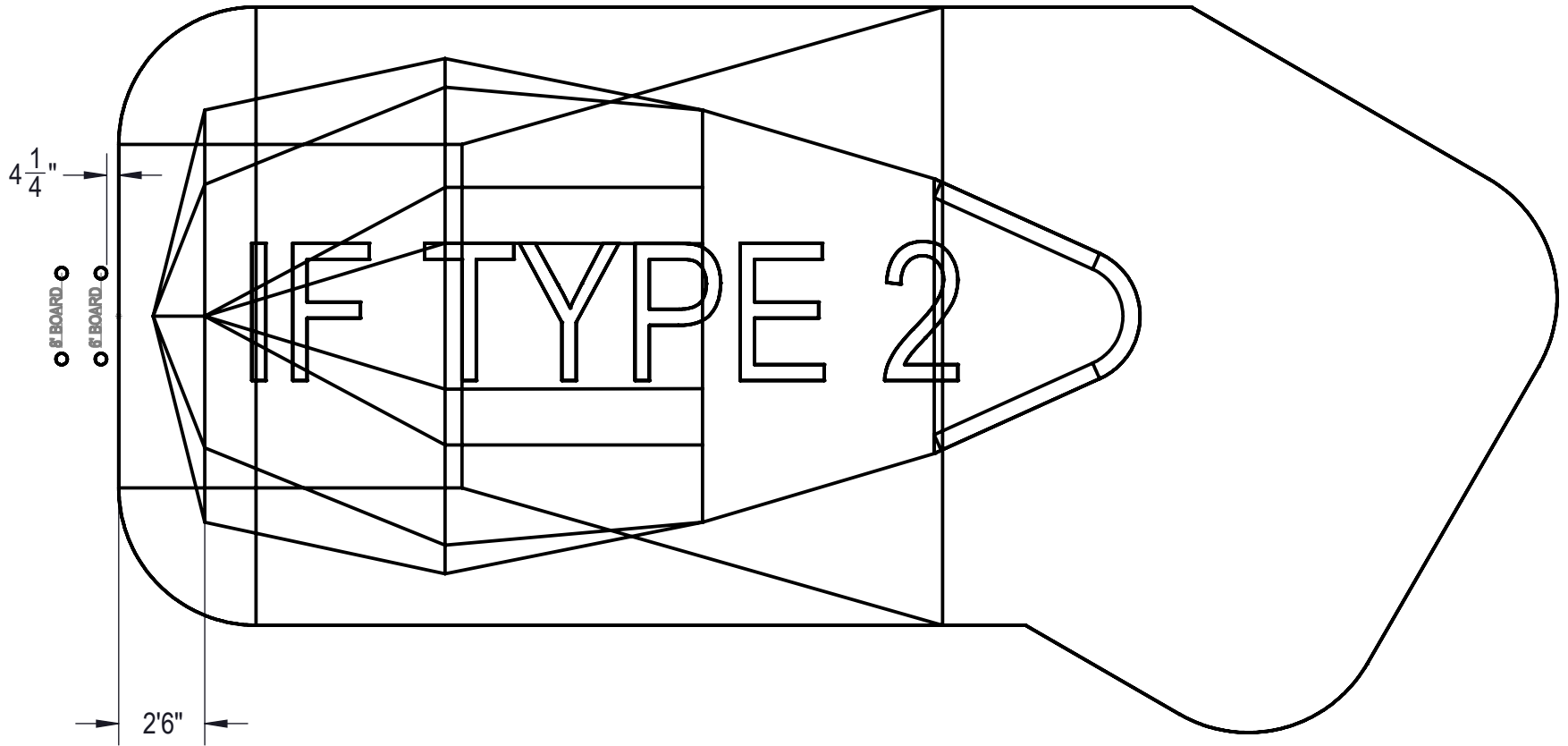
THIS DOCUMENT IS FOR ILLUSTRATIVE PURPOSES ONLY. THE DEALER OR CONTRACTOR WHO SELLS OR INSTALLS YOUR POOL IS AN INDEPENDENT CONTRACTOR AND IS NOT AN AGENT OF THE MANUFACTURER. THE CONSTRUCTION METHODS ILLUSTRATED HERE ARE SUGGESTIONS AND APPLY ONLY TO NORMAL GROUND CONDITIONS. THERE MAY BE ADDITIONAL PRECAUTIONS AND/OR METHODS OF CONSTRUCTION. PROPER INSTALLATION IS THE RESPONSIBILITY OF THE DEALER/BUILDER/CONTRACTOR.




ENGINEERING DRAWING NUMBER: 00017487	WEIGHT: 212537.539 lbs VOLUME: 5883020.486 Inch ³	UNLESS OTHERWISE SPECIFIED DIMENSIONS ARE IN INCHES TOLERANCES DECIMALS: X ± .1 XX ± .01 XXX ± .001 XXXX ± .0005 ANGULAR: X ± 0.5 THIRD ANGLE PROJECTION	DESIGNED BY: BUMPHREY	CREATION DATE: 8/15/2013	HYDRA POOLS	
	COLOR: NA		DETAILED BY: RSANVICENTE	DETAILED DATE: 1/31/2018		
	HEAT TREAT: NA		LAST REVISED BY: hyeng	LAST REVISED DATE: 1/31/2018	TITLE: LAYOUT, 18' X 41'-10" LAZY L, LEFT, 4' RADIUS, 8' DEEP, HS110N, LIGHT, 3- INLET, 2- 1084, 600 SERIES	
	FINISH: NA		MATERIAL: Water			PART NUMBER: 00017487
TEXTURE: NA					SCALE: 1:192	SIZE: A
						SHEET: 2 OF 4



ENGINEERING DRAWING NUMBER: 00017487	WEIGHT: 325974.1 lbs	UNLESS OTHERWISE SPECIFIED DIMENSIONS ARE IN INCHES TOLERANCES DECIMALS: X ± .1 XX ± .01 XXX ± .001 XXXX ± .0005 ANGULAR: X ± 0.5 THIRD ANGLE PROJECTION 	DESIGNED BY: BUMPHREY	CREATION DATE: 8/15/2013	HYDRA POOLS
	VOLUME: Inch ³		DETAILED BY: RSANVICENTE	DETAILED DATE: 1/31/2018	
	COLOR:		LAST REVISED BY: hyeng	LAST REVISED DATE: 1/31/2018	TITLE: LAYOUT, 18' X 41'-10" LAZY L, LEFT, 4' RADIUS, 8' DEEP, HS110N, LIGHT, 3- INLET, 2- 1084, 600 SERIES
	HEAT TREAT:		MATERIAL:		
	FINISH:		PART NUMBER:		
	TEXTURE:		00017487		
			SCALE: 1:192	SIZE: A	
			SHEET: 3 OF 4		



ENGINEERING DRAWING NUMBER: 00017487	WEIGHT: 325974.1 lbs	UNLESS OTHERWISE SPECIFIED DIMENSIONS ARE IN INCHES TOLERANCES DECIMALS: X ± .1 XX ± .01 XXX ± .001 XXXX ± .0005 ANGULAR: X ± 0.5 THIRD ANGLE PROJECTION 	DESIGNED BY: BUMPHREY	CREATION DATE: 8/15/2013	HYDRA POOLS TITLE: LAYOUT, 18' X 41'-10" LAZY L, LEFT, 4' RADIUS, 8' DEEP, HS110N, LIGHT, 3- INLET, 2- 1084, 600 SERIES PART NUMBER: 00017487
	VOLUME: Inch ³		DETAILED BY: RSANVICENTE	DETAILED DATE: 1/31/2018	
	COLOR:		LAST REVISED BY: hyeng	LAST REVISED DATE: 1/31/2018	
	HEAT TREAT:		MATERIAL:		
	FINISH:				
	TEXTURE:				
			SCALE: 1:192	SIZE: A	
			SHEET: 4 OF 4		