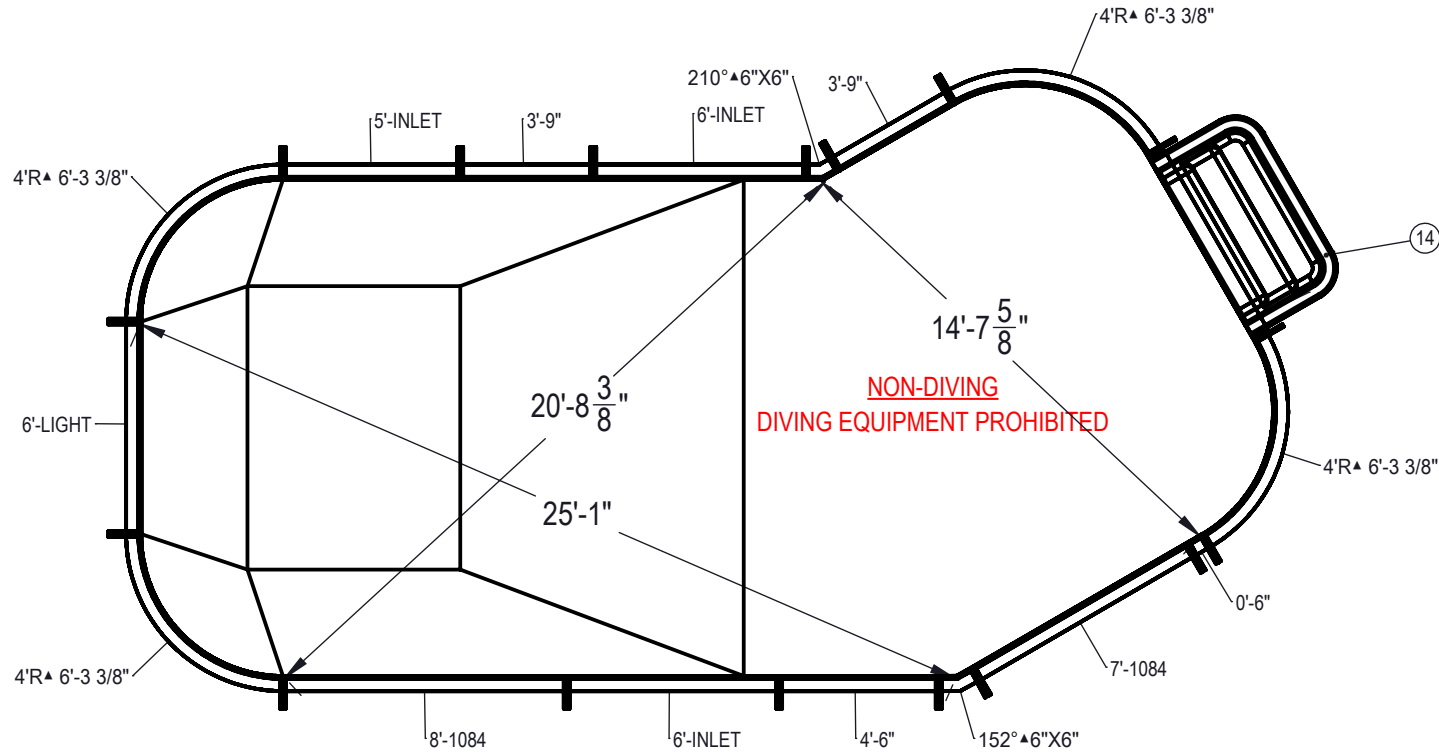


REVISION HISTORY				
REV.	DESCRIPTION	DATE	ECO	BY



**NOTES:**

- THESE ARE FINISHED DIMENSIONS READY FOR THE LINER.
- DIMENSIONS ARE FROM INSIDE POOL PANELS.
- ROPE AND FLOAT ASSEMBLY SHOULD BE INSTALLED IN ACCORDANCE WITH CURRENT ANSI/ASPS/ICC REGULATIONS
- HYDRA LINER TRACK FOR STEPS IS INSTALLED WITH THE BARB FACING THE RISER WALL ON THE STEP.

**EXCAVATION NOTES:**

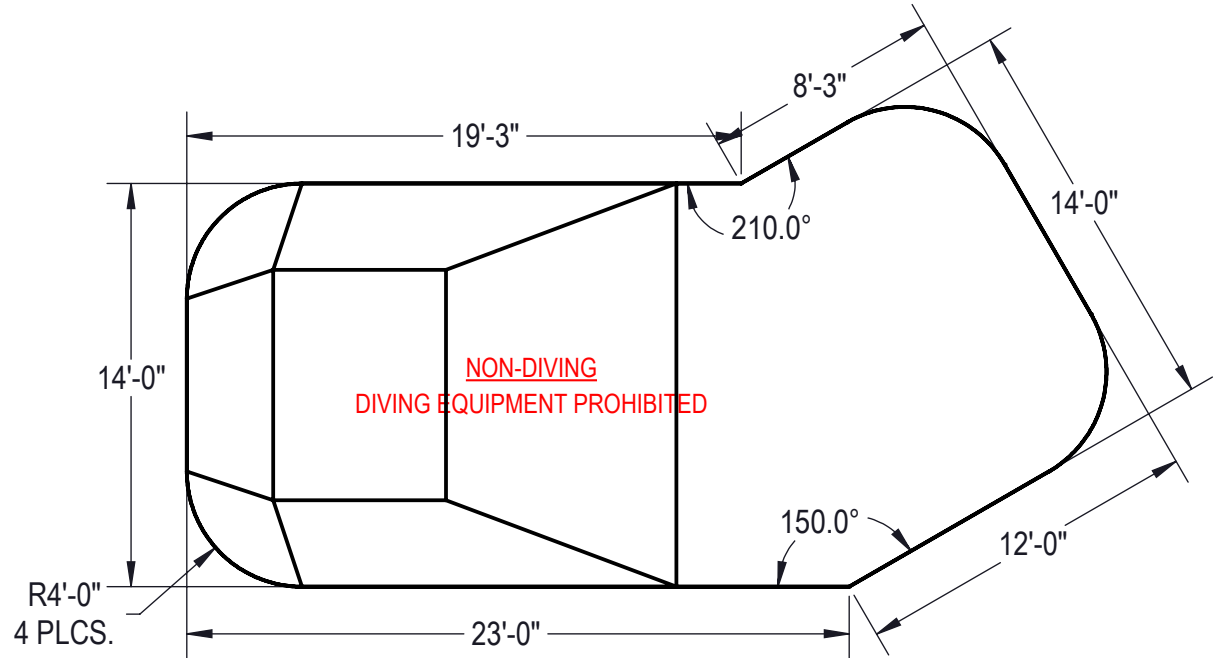
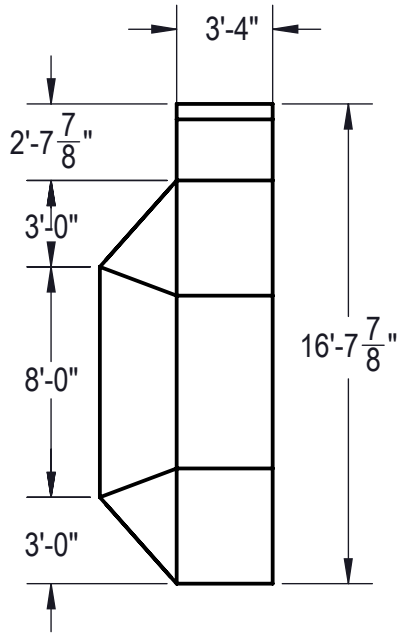
- ROUGH EXCAVATION SHOULD BE 2" DEEPER IN EACH INSTANCE.
- SOIL TO HAVE MINIMUM BEARING CAPACITY OF 1500 PSF.
- LOCATE TOP OF POOL AT LEAST 6" ABOVE THE SURROUNDING LAND ELEVATION.
- SEE "OVER DIG DETAIL" FOR EXCAVATION AROUND POOL.
- FILL VOIDS UNDER BASE OF PANELS AND TAMP WELL.
- BACK FILL WITH NON-EXPANSIVE MATERIAL.
- FOLLOW ALL CURRENT ANSI / APSP / ICC GUIDELINES FOR RESIDENTIAL POOLS

**IMPORTANT NOTES:**

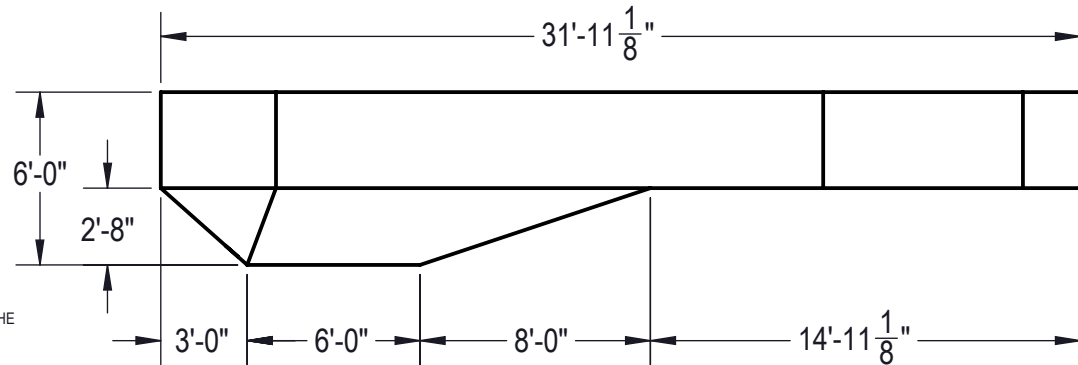
THIS DOCUMENT IS FOR ILLUSTRATIVE PURPOSES ONLY. THE DEALER OR CONTRACTOR WHO SELLS OR INSTALLS YOUR POOL IS AN INDEPENDENT CONTRACTOR AND IS NOT AN AGENT OF THE MANUFACTURER. THE CONSTRUCTION METHODS ILLUSTRATED HERE ARE SUGGESTIONS AND APPLY ONLY TO NORMAL GROUND CONDITIONS. THERE MAY BE ADDITIONAL PRECAUTIONS AND/OR METHODS OF CONSTRUCTION. PROPER INSTALLATION IS THE RESPONSIBILITY OF THE DEALER/BUILDER/CONTRACTOR.

ITEM	FILE NAME	DESCRIPTION	CUSTOMER DRAWING #	VENDOR PART #	QTY.
1	BOLT, PACK	BOLT, FLANGE, 3/8-16 X 1", PACK (50)	HPS1916	HPS1916	4
2	SBRACE	BRACE, FOLD OVER WITH TURNBUCKLE, STEEL, HPSFOB	HPSFOB	HPSFOB	17
3	PANEL, ANGLE	PANEL, ANGLE, 6" X 6" X 152", 600 SERIES	HPSDLL	00001675	1
4	PANEL, ANGLE	PANEL, ANGLE, 6" X 6" X 210", 600 SERIES	HPSDLLR	00001675	1
5	PANEL, STRAIGHT	PANEL, 0'-6" LONG, 600 SERIES	HPSD6P	00001405	1
6	PANEL, STRAIGHT	PANEL, 3'-9" LONG, 600 SERIES	HPSD39P	00001348	2
7	PANEL, RADIUS	PANEL, 4' RADIUS, 6'-3 3/8" LONG, 600 SERIES	HPSD4R	00000289	4
8	PANEL, STRAIGHT	PANEL, 4'-6" LONG, 600 SERIES	HPSD1046P	00000644	1
9	PANEL, STRAIGHT	PANEL, 5' LONG, INLET, 600 SERIES	HPSCS5	00006520	1
10	PANEL, STRAIGHT	PANEL, 6' LONG, INLET, 600 SERIES	HPSD106I	00000221	2
11	PANEL, STRAIGHT	PANEL, 6' LONG, LIGHT, 600 SERIES	HPSD106L	00000679	1
12	PANEL, STRAIGHT	PANEL, 7' LONG, 1084, 600 SERIES	HPS10784	00001783	1
13	PANEL, STRAIGHT	PANEL, 8' LONG, 1084, 600 SERIES	HPSD10884	00002006	1
14	HS104N	STEP, 6' THREE TREAD, STRAIGHT	HS104N	HS104N	1

ENGINEERING DRAWING NUMBER: <b>00017435</b>	WEIGHT: 126733.1 lbs	<b>UNLESS OTHERWISE SPECIFIED</b> DIMENSIONS ARE IN INCHES TOLERANCES DECIMALS: X ± .1 XX ± .01 XXX ± .001 XXXX ± .0005  ANGULAR: X ± 0.5 THIRD ANGLE PROJECTION	DESIGNED BY: JBOSSERDET	CREATION DATE: 3/15/2013	<b>HYDRA POOLS</b>	
	VOLUME: Inch <sup>3</sup>		DETAILED BY: RSANVICENTE	DETAILED DATE: 1/29/2017		
	COLOR:		LAST REVISED BY: hyeng	LAST REVISED DATE: 1/29/2018		
	HEAT TREAT:		MATERIAL:	TITLE: LAYOUT, 14' X 32' LAZY L, RIGHT, 4' RADIUS, 6' DEEP, HS104N, LIGHT, 3- INLET, 2- 1084, 600 SERIES		
FINISH:				PART NUMBER: <b>00017435</b>	SCALE: 1:60	SIZE: <b>A</b>
TEXTURE:					SHEET: 1 OF 3	



**Area: 423.77ft ^2**  
**Perimeter: 83.63ft**  
**Volume = 13154 US gallons**



**NOTES:**

1. THESE ARE FINISHED DIMENSIONS READY FOR THE LINER.
2. DIMENSIONS ARE FROM INSIDE POOL PANELS.
3. ROPE AND FLOAT ASSEMBLY SHOULD BE INSTALLED IN ACCORDANCE WITH CURRENT ANSI/ASPS/ICC REGULATIONS
4. HYDRA LINER TRACK FOR STEPS IS INSTALLED WITH THE BARB FACING THE RISER WALL ON THE STEP.

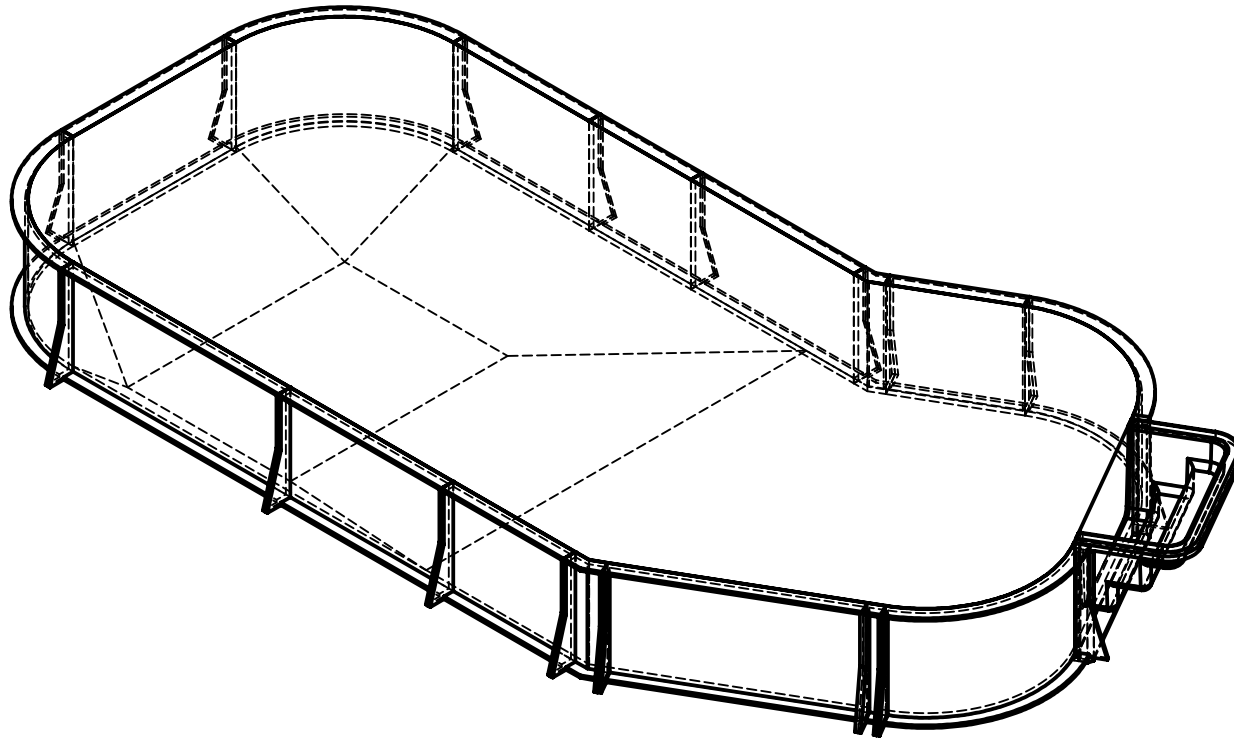
**EXCAVATION NOTES:**


5. ROUGH EXCAVATION SHOULD BE 2" DEEPER IN EACH INSTANCE.
6. SOIL TO HAVE MINIMUM BEARING CAPACITY OF 1500 PSF.
7. LOCATE TOP OF POOL AT LEAST 6" ABOVE THE SURROUNDING LAND ELEVATION.
8. SEE "OVER DIG DETAIL" FOR EXCAVATION AROUND POOL.
9. FILL VOIDS UNDER BASE OF PANELS AND TAMP WELL.
10. BACK FILL WITH NON-EXPANSIVE MATERIAL.
11. FOLLOW ALL CURRENT ANSI / APS / ICC GUIDELINES FOR RESIDENTIAL POOLS

**IMPORTANT NOTES:**

THIS DOCUMENT IS FOR ILLUSTRATIVE PURPOSES ONLY. THE DEALER OR CONTRACTOR WHO SELLS OR INSTALLS YOUR POOL IS AN INDEPENDENT CONTRACTOR AND IS NOT AN AGENT OF THE MANUFACTURER. THE CONSTRUCTION METHODS ILLUSTRATED HERE ARE SUGGESTIONS AND APPLY ONLY TO NORMAL GROUND CONDITIONS. THERE MAY BE ADDITIONAL PRECAUTIONS AND/OR METHODS OF CONSTRUCTION. PROPER INSTALLATION IS THE RESPONSIBILITY OF THE DEALER/BUILDER/CONTRACTOR.

ENGINEERING DRAWING NUMBER: <b>00017435</b>	WEIGHT:	<b>UNLESS OTHERWISE SPECIFIED</b> DIMENSIONS ARE IN INCHES TOLERANCES DECIMALS: X ± .1 XX ± .01 XXX ± .001 XXXX ± .0005  ANGULAR: X ± 0.5 THIRD ANGLE PROJECTION	DESIGNED BY:	CREATION DATE:	<b>HYDRA POOLS</b>	
	lbs		BUMPHREY	3/15/2013		
	VOLUME:			DETAILED BY:	DETAILED DATE:	TITLE: LAYOUT, 14' X 32' LAZY L, RIGHT, 4' RADIUS, 6" DEEP, HS104N, LIGHT, 3- INLET, 2- 1084, 600 SERIES
	Inch <sup>3</sup>			RSANVICENTE	1/29/2017	
COLOR:		LAST REVISED BY:	LAST REVISED DATE:	PART NUMBER: <b>00017435</b>		
NA		hyeng	1/29/2018			
HEAT TREAT:		MATERIAL:		SCALE: 1:84	SIZE: A	
FINISH:				SHEET: 2 OF 3		
TEXTURE:						



ENGINEERING DRAWING NUMBER: <b>00017435</b>	WEIGHT: 126733.1 lbs	<b>UNLESS OTHERWISE SPECIFIED</b> DIMENSIONS ARE IN INCHES TOLERANCES DECIMALS: X ± .1 XX ± .01 XXX ± .001 XXXX ± .0005  ANGULAR: X ± 0.5 THIRD ANGLE PROJECTION 	DESIGNED BY: JBOSSEDET	CREATION DATE: 3/15/2013	<b>HYDRA POOLS</b>	
	VOLUME: Inch <sup>3</sup>		DETAILED BY: RSANVICENTE	DETAILED DATE: 1/29/2017		
	COLOR:		LAST REVISED BY: hyeng	LAST REVISED DATE: 1/29/2018		
	HEAT TREAT:		MATERIAL:		TITLE: LAYOUT, 14' X 32' LAZY L, RIGHT, 4' RADIUS, 6" DEEP, HS104N, LIGHT, 3- INLET, 2- 1084, 600 SERIES	
	FINISH:				PART NUMBER: <b>00017435</b>	
	TEXTURE:				SCALE: 1:60	SIZE: <b>A</b>
				SHEET: 3 OF 3		