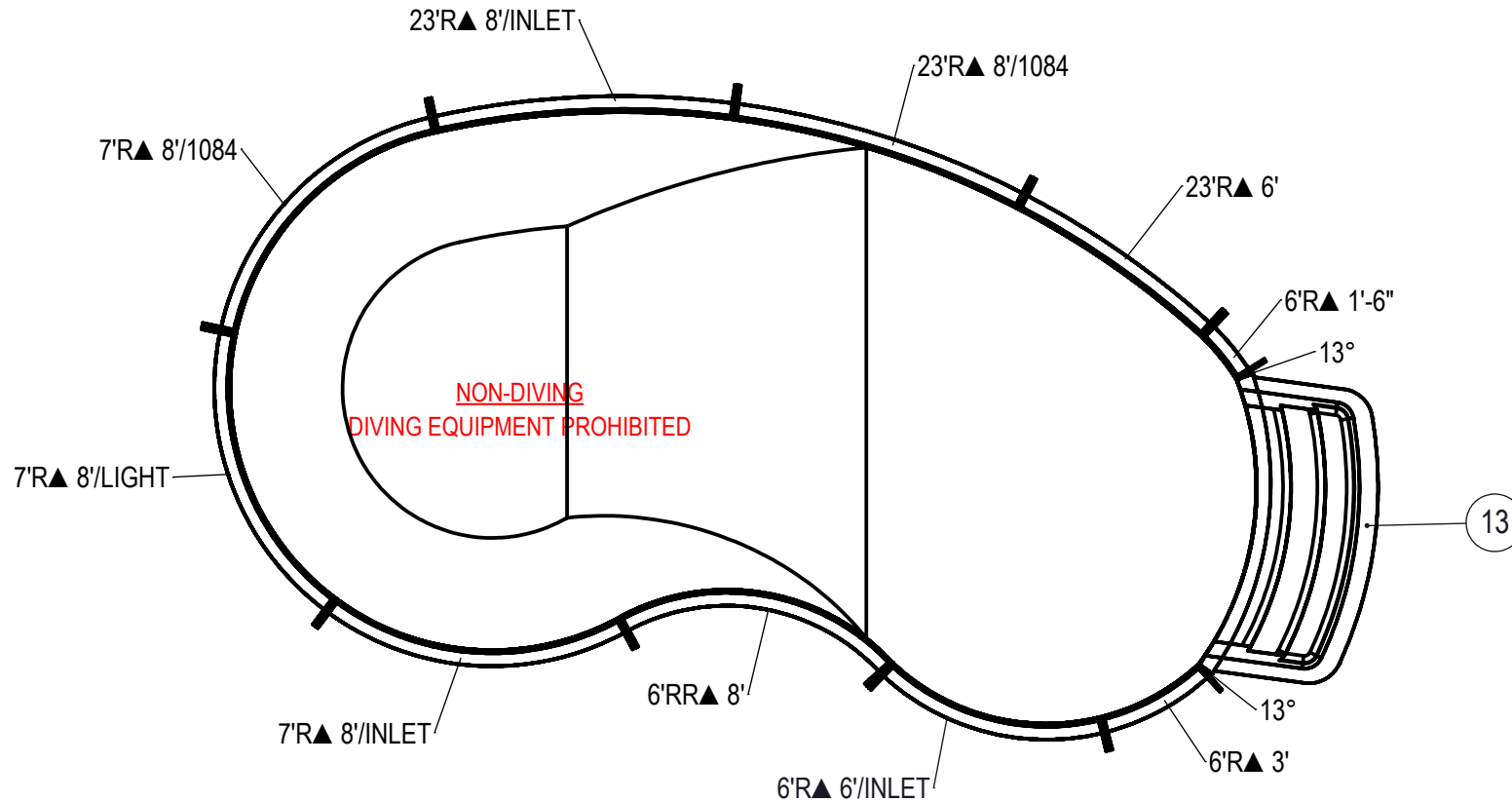


REVISION HISTORY				
REV.	DESCRIPTION	DATE	ECO	BY



NOTES:

1. THESE ARE FINISHED DIMENSIONS READY FOR THE LINER.
2. DIMENSIONS ARE FROM INSIDE POOL PANELS.
3. ROPE AND FLOAT ASSEMBLY SHOULD BE INSTALLED IN ACCORDANCE WITH CURRENT ANSI/ASPS/ICC REGULATIONS
4. HYDRA LINER TRACK FOR STEPS IS INSTALLED WITH THE BARB FACING THE RISER WALL ON THE STEP.

EXCAVATION NOTES:

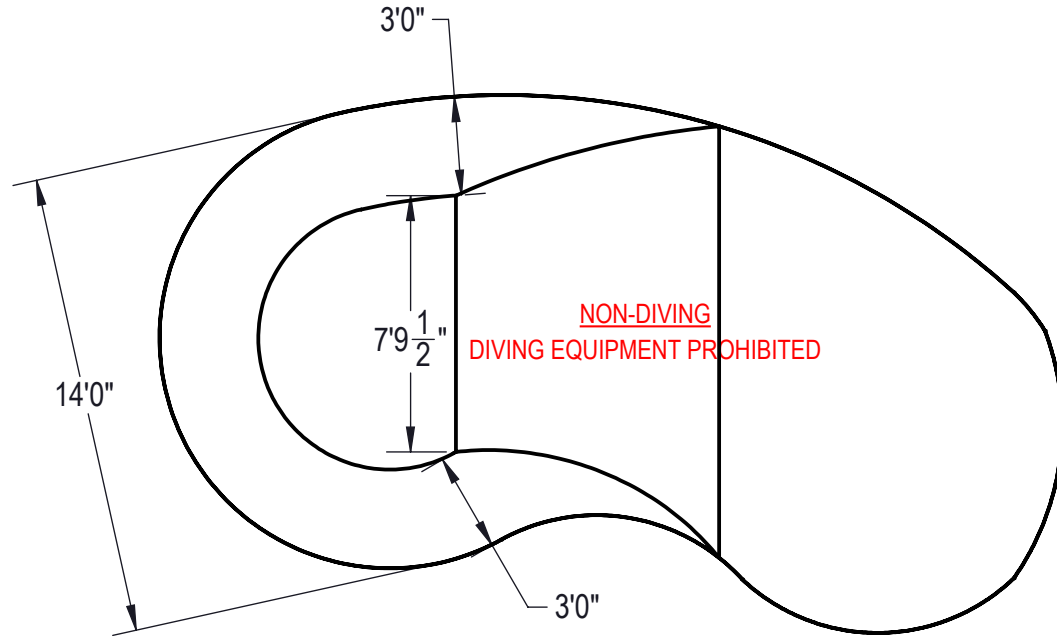
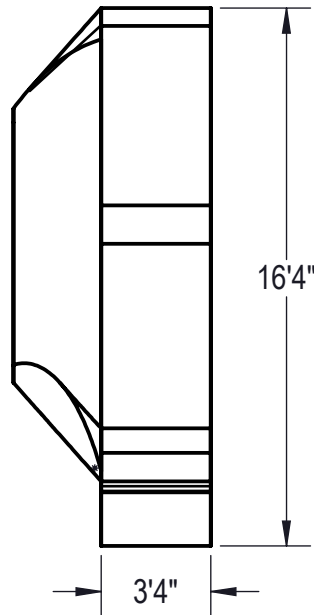
5. ROUGH EXCAVATION SHOULD BE 2" DEEPER IN EACH INSTANCE.
6. SOIL TO HAVE MINIMUM BEARING CAPACITY OF 1500 PSF.
7. LOCATE TOP OF POOL AT LEAST 6" ABOVE THE SURROUNDING LAND ELEVATION.
8. SEE "OVER DIG DETAIL" FOR EXCAVATION AROUND POOL.
9. FILL VOIDS UNDER BASE OF PANELS AND TAMP WELL.
10. BACK FILL WITH NON-EXPANSIVE MATERIAL.
11. FOLLOW ALL CURRENT ANSI / APSP / ICC GUIDELINES FOR RESIDENTIAL POOLS

IMPORTANT NOTES:

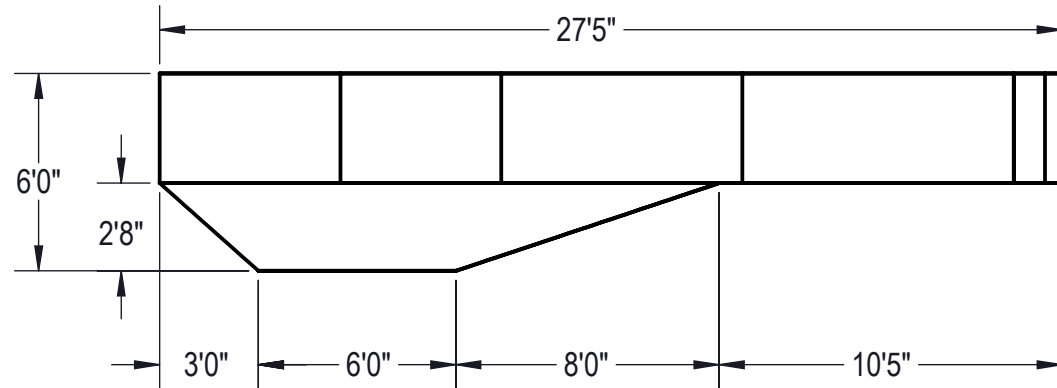
THIS DOCUMENT IS FOR ILLUSTRATIVE PURPOSES ONLY. THE DEALER OR CONTRACTOR WHO SELLS OR INSTALLS YOUR POOL IS AN INDEPENDENT CONTRACTOR AND IS NOT AN AGENT OF THE MANUFACTURER. THE CONSTRUCTION METHODS ILLUSTRATED HERE ARE SUGGESTIONS AND APPLY ONLY TO NORMAL GROUND CONDITIONS. THERE MAY BE ADDITIONAL PRECAUTIONS AND/OR METHODS OF CONSTRUCTION. PROPER INSTALLATION IS THE RESPONSIBILITY OF THE DEALER/BUILDER/CONTRACTOR.

ITEM	FILE NAME	DESCRIPTION	CUSTOMER DRAWING #	VENDOR PART #	QTY
1	BOLT, PACK	BOLT, FLANGE, 3/8-16 X 1", PACK (50)	HPS1916	HPS1916	3
2	SBRACE	BRACE, FOLD OVER WITH TURNBUCKLE, STEEL, HPSFOB	HPSFOB	HPSFOB	11
3	PANEL, RADIUS	PANEL, 23' RADIUS, 6' LONG, 600 SERIES	HPSD23R6	00001322	1
4	PANEL, RADIUS	PANEL, 23' RADIUS, 8' LONG, 1084, 600 SERIES	HPSD23R884	00004398	1
5	PANEL, RADIUS	PANEL, 23' RADIUS, 8' LONG, INLET, 600 SERIES	HPSCR8	00006872	1
6	PANEL, RADIUS	PANEL, 6' RADIUS, 1'-6" LONG, 600 SERIES	HPSD6R16	00001407	1
7	PANEL, RADIUS	PANEL, 6' RADIUS, 3' LONG, 600 SERIES	HPSD6R3	00001409	1
8	PANEL, RADIUS	PANEL, 6' RADIUS, 6' LONG, INLET, 600 SERIES	HPSD6R6I	00000242	1
9	PANEL, RR	PANEL, 6' REVERSE RADIUS, 8' LONG, 600 SERIES	HPSD6RR8	00000327	1
10	PANEL, RADIUS	PANEL, 7' RADIUS, 8' LONG, 1084, 600 SERIES	HPS7R884	00002362	1
11	PANEL, RADIUS	PANEL, 7' RADIUS, 8' LONG, INLET, 600 SERIES	HPS7R8I	00000270	1
12	PANEL, RADIUS	PANEL, 7' RADIUS, 8' LONG, LIGHT, 600 SERIES	HPSD7R8L	00001434	1
13	HS106N	STEP, 8' RADIUS, 3 TREAD	HS106N	HS106N	1
14	PANEL, WEDGE	WEDGE, 42" X 2 1/2" X 2 1/2" X 13°	HPSD13W	00004886	2

ENGINEERING DRAWING NUMBER: 00017481	WEIGHT: lbs	UNLESS OTHERWISE SPECIFIED DIMENSIONS ARE IN INCHES TOLERANCES DECIMALS: X ± .1 XX ± .01 XXX ± .001 XXXX ± .0005 ANGULAR: X ± 0.5 THIRD ANGLE PROJECTION	DESIGNED BY: BUMPHREY	CREATION DATE: 8/8/2013	HYDRA POOLS LAYOUT, 14' X 28', KIDNEY, 3-1084, 6-DEEP, HS106N, LIGHT, 2-1084, 3-INLET, 600 SERIES TITLE: LAYOUT, 14' X 28', KIDNEY, LEFT, 6' DEEP, HS106N, LIGHT, 2-1084, 3-INLET, 600 SERIES
	VOLUME: Inch ³		DETAILED BY: LAYOUT, 14' X 28', KIDNEY, 3-1084, 6-DEEP, HS106N, LIGHT, 2-1084, 3-INLET, 600 SERIES	DETAILED DATE:	
	COLOR:		LAST REVISED BY: bumphrey	LAST REVISED DATE: 1/31/2018	
	HEAT TREAT: NA		MATERIAL:		
FINISH: NA	PART NUMBER: 00017481		SCALE: 1:96	SIZE: A	
TEXTURE: NA			SHEET: 1 OF 4		



Area: 331.58ft ^2
Perimeter: 72.49ft
Volume = 10569 US gallons



NOTES:

1. THESE ARE FINISHED DIMENSIONS READY FOR THE LINER.
2. DIMENSIONS ARE FROM INSIDE POOL PANELS.
3. ROPE AND FLOAT ASSEMBLY SHOULD BE INSTALLED IN ACCORDANCE WITH CURRENT ANSI/ASPS/ICC REGULATIONS
4. HYDRA LINER TRACK FOR STEPS IS INSTALLED WITH THE BARB FACING THE RISER WALL ON THE STEP.

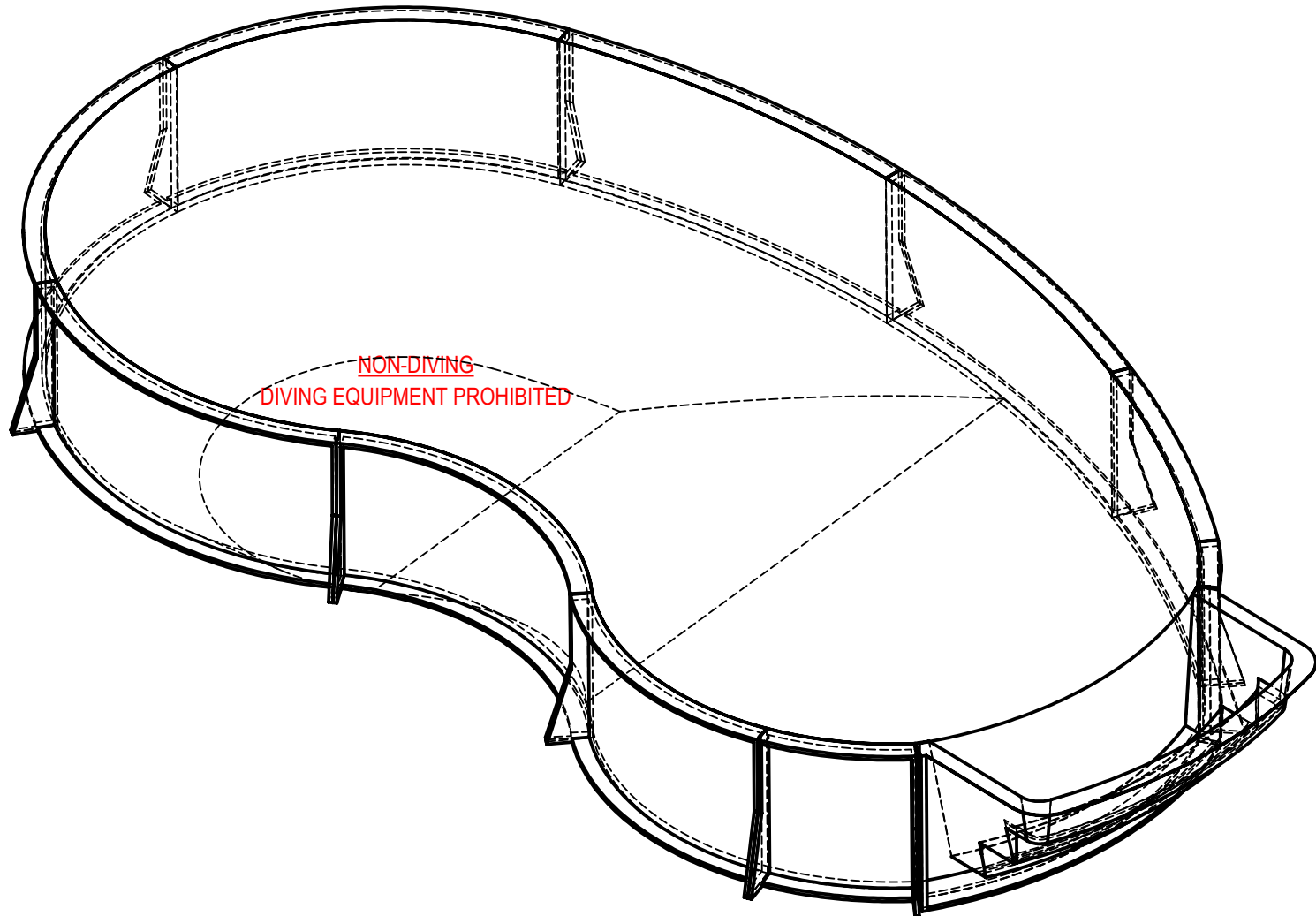
EXCAVATION NOTES:

5. ROUGH EXCAVATION SHOULD BE 2" DEEPER IN EACH INSTANCE.
6. SOIL TO HAVE MINIMUM BEARING CAPACITY OF 1500 PSF.
7. LOCATE TOP OF POOL AT LEAST 6" ABOVE THE SURROUNDING LAND ELEVATION.
8. SEE "OVER DIG DETAIL" FOR EXCAVATION AROUND POOL.
9. FILL VOIDS UNDER BASE OF PANELS AND TAMP WELL.
10. BACK FILL WITH NON-EXPANSIVE MATERIAL.
11. FOLLOW ALL CURRENT ANSI / APSP / ICC GUIDELINES FOR RESIDENTIAL POOLS

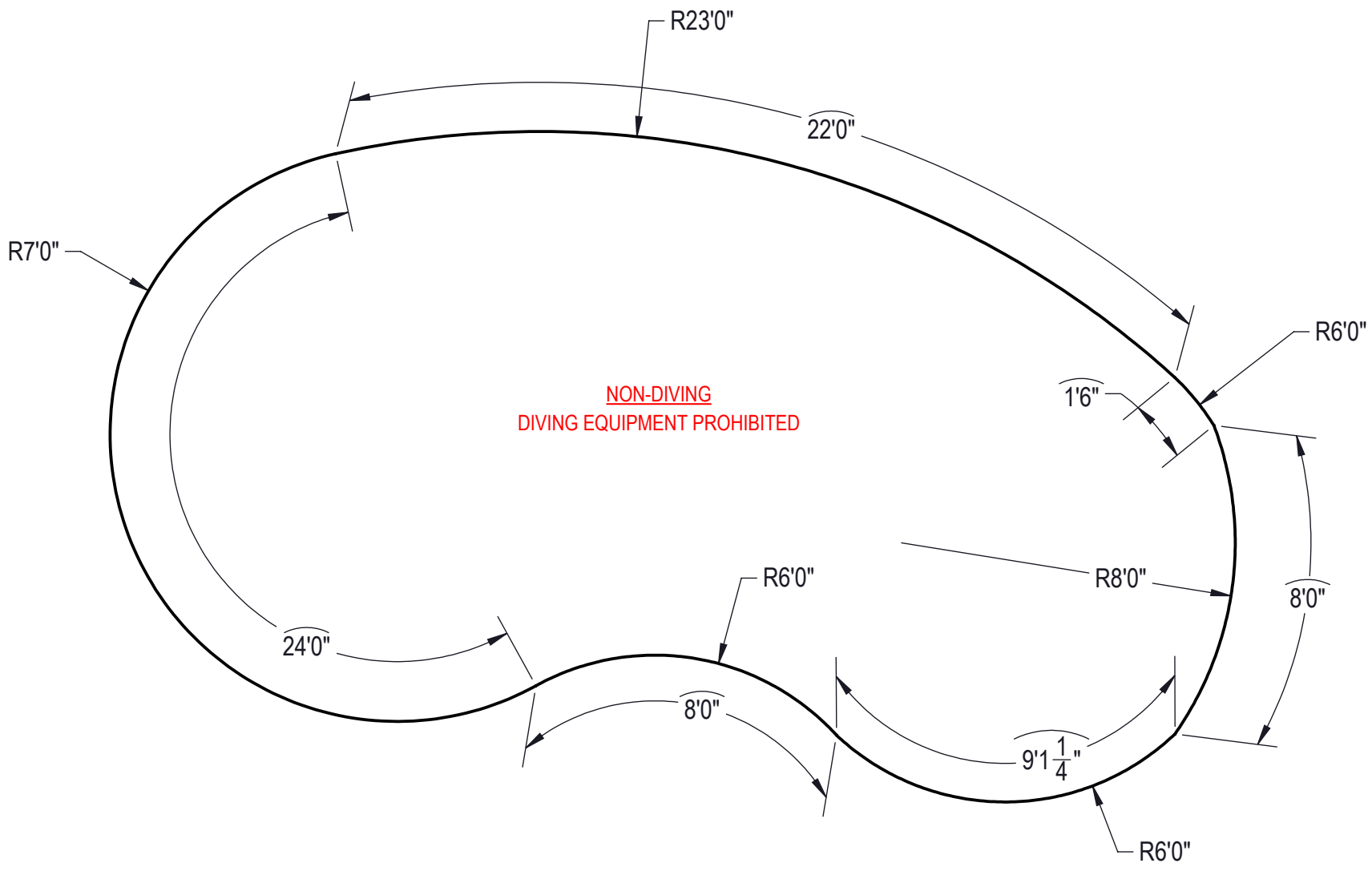
IMPORTANT NOTES:

THIS DOCUMENT IS FOR ILLUSTRATIVE PURPOSES ONLY. THE DEALER OR CONTRACTOR WHO SELLS OR INSTALLS YOUR POOL IS AN INDEPENDENT CONTRACTOR AND IS NOT AN AGENT OF THE MANUFACTURER. THE CONSTRUCTION METHODS ILLUSTRATED HERE ARE SUGGESTIONS AND APPLY ONLY TO NORMAL GROUND CONDITIONS. THERE MAY BE ADDITIONAL PRECAUTIONS AND/OR METHODS OF CONSTRUCTION. PROPER INSTALLATION IS THE RESPONSIBILITY OF THE DEALER/BUILDER/CONTRACTOR.

ENGINEERING DRAWING NUMBER: 00017481	WEIGHT: 40006800.74	UNLESS OTHERWISE SPECIFIED DIMENSIONS ARE IN INCHES TOLERANCES DECIMALS: X ± .1 XX ± .01 XXX ± .001 XXXX ± .0005 ANGULAR: X ± 0.5 THIRD ANGLE PROJECTION	DESIGNED BY: BUMPHREY	CREATION DATE: 9/13/2012	HYDRA POOLS
	lbs VOLUME: 40006800743.6		DETAILED BY: LAYOUT, 14' X 28', KIDNEY 3 INLET, 6' DEEP, HS106N, LIGHT, 2-1084, 3-INLET, 600 SERIES	DETAILED DATE:	
	COLOR: NA		LAST REVISED BY: bumphrey	LAST REVISED DATE: 1/31/2018	
	HEAT TREAT: NA		MATERIAL: Material <not specified>		
FINISH: NA			PART NUMBER: 00017481		SCALE: 1:96
TEXTURE: NA					SHEET: 2 OF 4
					SIZE: A



ENGINEERING DRAWING NUMBER: 00017481	WEIGHT:	UNLESS OTHERWISE SPECIFIED DIMENSIONS ARE IN INCHES TOLERANCES DECIMALS: X ± .1 XX ± .01 XXX ± .001 XXXX ± .0005 ANGULAR: X ± 0.5 THIRD ANGLE PROJECTION 	DESIGNED BY:	CREATION DATE:	HYDRA POOLS HS106N, LIGHT, 2-1084, 3-INLET, 600 SERIES TITLE: LAYOUT, 14' X 28'; KIDNEY, LEFT, 6' DEEP, HS106N, LIGHT, 2-1084, 3-INLET, 600 SERIES
	VOLUME:		DETAILED BY:	DETAILED DATE:	
	Inch ³		LAYOUT, 14' X 28', KIDNEY, LEFT, 6' DEEP	1/31/2018	
	COLOR:		LAST REVISED BY:	LAST REVISED DATE:	
	NA		bumphrey	1/31/2018	
	HEAT TREAT:		MATERIAL:		
NA			PART NUMBER:	SCALE:	SIZE:
FINISH:			00017481	1:96	A
TEXTURE:				3 OF 4	
NA					



ENGINEERING DRAWING NUMBER: 00017481	WEIGHT:	40006800.74	UNLESS OTHERWISE SPECIFIED DIMENSIONS ARE IN INCHES TOLERANCES DECIMALS: X ± .1 XX ± .01 XXX ± .001 XXXX ± .0005 ANGULAR: X ± 0.5 THIRD ANGLE PROJECTION 	DESIGNED BY:	BUMPHREY	CREATION DATE:	9/13/2012	HYDRA POOLS HS106N, LIGHT, 2-1084, 3-INLET, 600 SERIES TITLE: LAYOUT, 14' X 28', KIDNEY, LEFT, 6' DEEP, HS106N, LIGHT, 2-1084, 3-INLET, 600 SERIES	
	lbs VOLUME:	40006800743.6		DETAILED BY:	LAYOUT, 14' X 28', KIDNEY, LEFT, 6' DEEP	DETAILED DATE:	1/31/2018		
	inch COLOR:	NA		LAST REVISED BY:	bumphrey	LAST REVISED DATE:	1/31/2018		
	HEAT TREAT:	NA		MATERIAL:	Material <not specified>	PART NUMBER:			00017481
	FINISH:	NA				SCALE:	1:96		SIZE:
TEXTURE:	NA					SHEET:	4 OF 4		