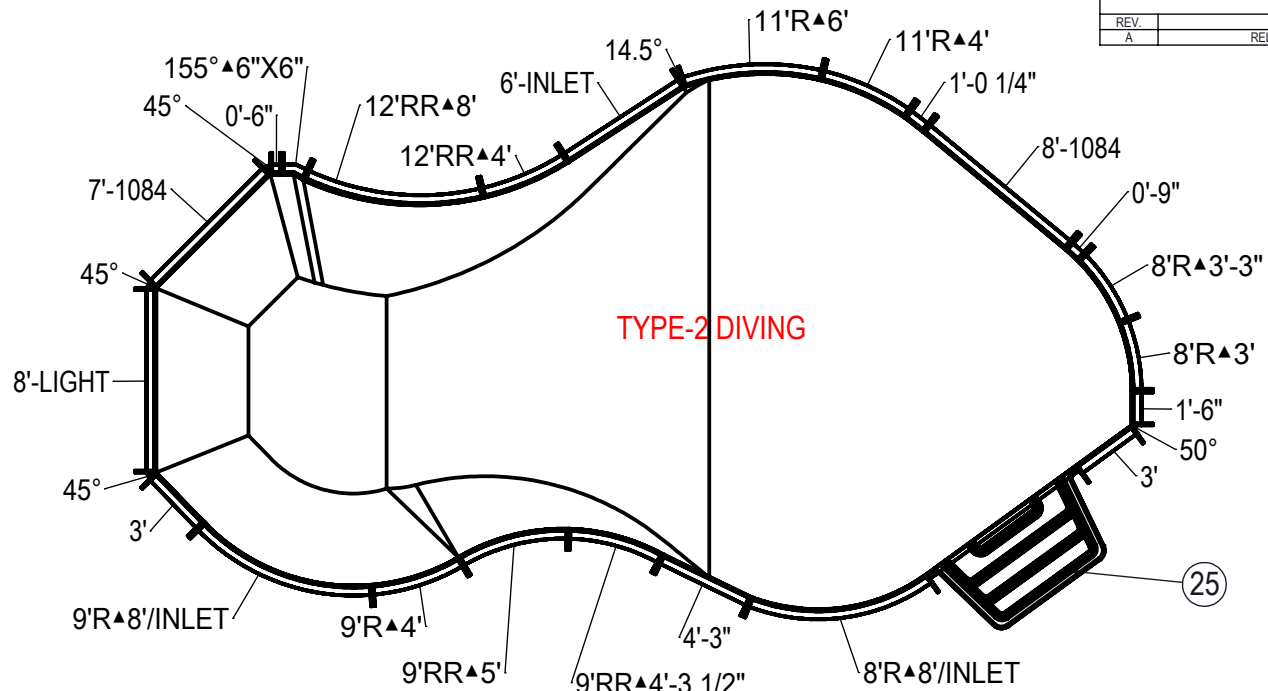


MIRROR NUMBER: 00010837 CHECK IN DATE/TIME: Thursday, January 18, 2018 11:56:12 AM

REVISION HISTORY				
REV.	DESCRIPTION	DATE	ECO	BY
A	RELEASED FOR QUOTE	1/18/2018		RSANVICENTE



ITEM	FILE NAME	DESCRIPTION	CUSTOMER DRAWING #	VENDOR PART #	QTY.
1	BOLT, PACK	BOLT, FLANGE, 3/8-16 X 1", PACK (50)	HPS1916	HPS1916	29
2	SBRACE	BRACE, FOLD OVER WITH TURNBUCKLE, STEEL, HPSFOB	HPSFOB	HPSFOB	7
3	PANEL, ANGLE	PANEL, ANGLE, 6" X 6" X 155°, 600 SERIES	HPSC2E	00009656	1
4	PANEL, STRAIGHT	PANEL, 0'-6" LONG, 600 SERIES	HPSD6P	00001405	1
5	PANEL, STRAIGHT	PANEL, 0'-9" LONG, 600 SERIES	HPSD9P	00001694	1
6	PANEL, STRAIGHT	PANEL, 1'-0 1/4" LONG, 600 SERIES	HPSCS2	00002555	1
7	PANEL, STRAIGHT	PANEL, 1'-6" LONG, 600 SERIES	HPSD16P	00001252	1
8	PANEL, RADIUS	PANEL, 11' RADIUS, 4' LONG, 600 SERIES	HPSD11R4	00001136	1
9	PANEL, RADIUS	PANEL, 11' RADIUS, 6' LONG, 600 SERIES	HPSD11R6	00001161	1
10	PANEL, RR	PANEL, 12' REVERSE RADIUS, 4' LONG, 600 SERIES	HPSCRR5	00005922	1
11	PANEL, RR	PANEL, 12' REVERSE RADIUS, 8' LONG, 600 SERIES	HPSCRR8	00002026	1
12	PANEL, STRAIGHT	PANEL, 3' LONG, 600 SERIES	HPSD103P	00000643	2
13	PANEL, STRAIGHT	PANEL, 4'-3" LONG, 600 SERIES	HPSD43	00002557	1
14	PANEL, STRAIGHT	PANEL, 6' LONG, INLET, 600 SERIES	HPSD106I	00000221	1
15	PANEL, STRAIGHT	PANEL, 7' LONG, 1084, 600 SERIES	HPS10784	00001783	1
16	PANEL, STRAIGHT	PANEL, 8' LONG, 1084, 600 SERIES	HPSD10884	00002006	1
17	PANEL, STRAIGHT	PANEL, 8' LONG, LIGHT, 600 SERIES	HPSD108L	00000701	1
18	PANEL, RADIUS	PANEL, 8' RADIUS, 3' LONG, 600 SERIES	HPSD8R3	00000375	1
19	PANEL, RADIUS	PANEL, 8' RADIUS, 3'-3" LONG, 600 SERIES	HPSCR4	00006750	1
20	PANEL, RADIUS	PANEL, 8' RADIUS, 8' LONG, INLET, 600 SERIES	HPS8R8I	00000758	1
21	PANEL, RADIUS	PANEL, 9' RADIUS, 4' LONG, 600 SERIES	HPSD9R4	00000353	1
22	PANEL, RADIUS	PANEL, 9' RADIUS, 8', INLET OR LED, 600 SERIES	HPS9R8I	00000275	1
23	PANEL, RR	PANEL, 9' REVERSE RADIUS, 4'-3 1/2" LONG, 600 SERIES	HPSCRR5	00008971	1
24	PANEL, RR	PANEL, 9' REVERSE RADIUS, 5' LONG, 600 SERIES	HPSD9RR5	00000168	1
25	HS110N	STEP, 8', TWIN SEAT, 4 TREAD	HS110N	HS110N	1
26	PANEL, WEDGE	WEDGE, 2 1/2" X 2 1/2" X 14.5°	HPSCW1	00002480	1
27	PANEL, WEDGE	WEDGE, 42" X 2 1/2" X 2 1/2" X 45°	HPSD45W	00000418	3
28	PANEL, WEDGE	WEDGE, 42" X 2 1/2" X 2 1/2" X 50°	HPSD50W	00004889	1

**NOTES:**

- THESE ARE FINISHED DIMENSIONS READY FOR THE LINER.
- DIMENSIONS ARE FROM INSIDE POOL PANELS.
- ROPE AND FLOAT ASSEMBLY SHOULD BE INSTALLED IN ACCORDANCE WITH CURRENT ANSI/ASPS/ICC REGULATIONS
- HYDRA LINER TRACK FOR STEPS IS INSTALLED WITH THE BARB FACING THE RISER WALL ON THE STEP.

**EXCAVATION NOTES:**

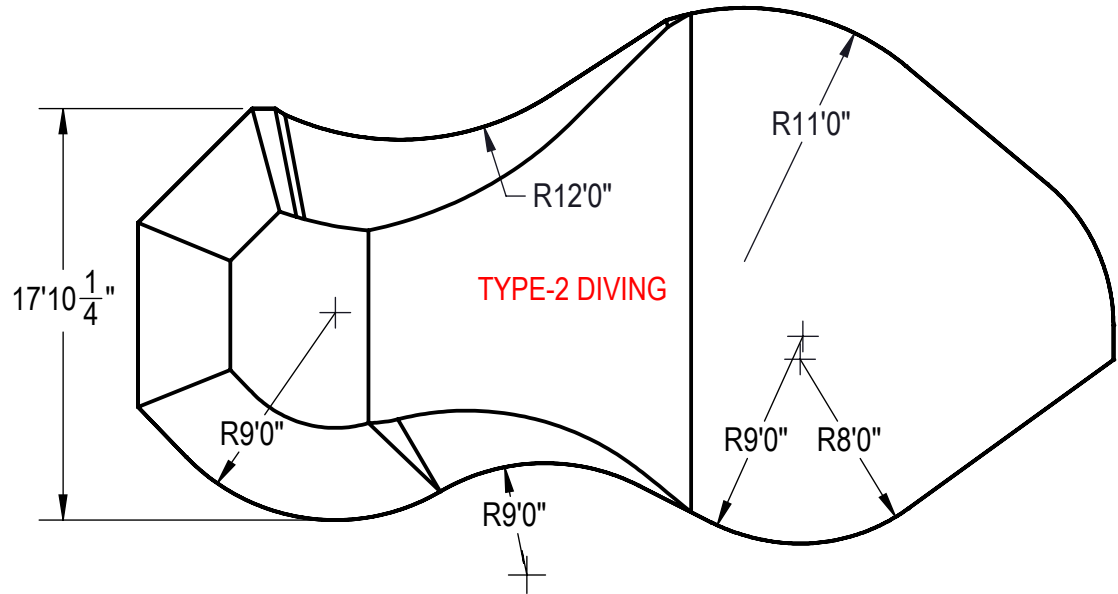
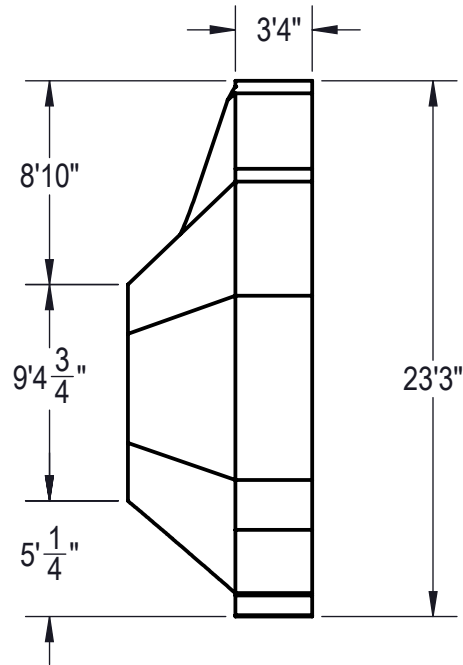
- ROUGH EXCAVATION SHOULD BE 2" DEEPER IN EACH INSTANCE.
- SOIL TO HAVE MINIMUM BEARING CAPACITY OF 1500 PSF.
- LOCATE TOP OF POOL AT LEAST 6" ABOVE THE SURROUNDING LAND ELEVATION.
- SEE "OVER DIG DETAIL" FOR EXCAVATION AROUND POOL.
- FILL VOIDS UNDER BASE OF PANELS AND TAMP WELL.
- BACK FILL WITH NON-EXPANSIVE MATERIAL.
- FOLLOW ALL CURRENT ANSI / AСПS / ICC GUIDELINES FOR RESIDENTIAL POOLS

**IMPORTANT NOTES:**

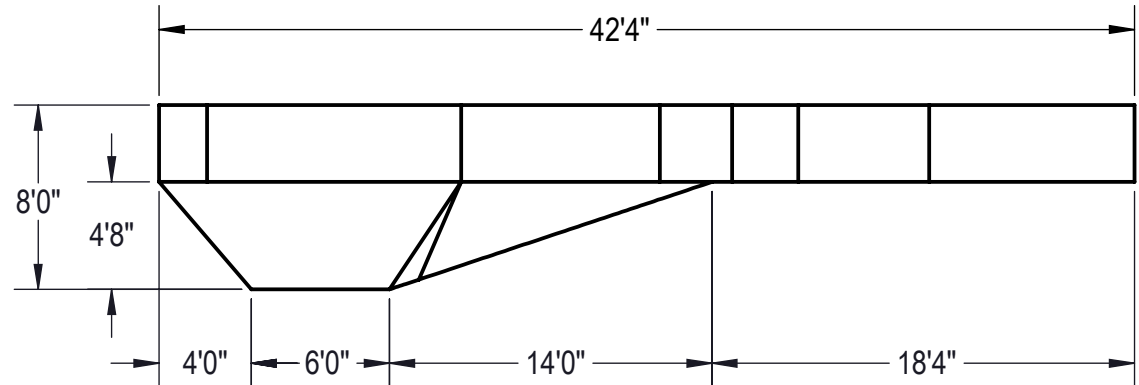
THIS DOCUMENT IS FOR ILLUSTRATIVE PURPOSES ONLY. THE DEALER OR CONTRACTOR WHO SELLS OR INSTALLS YOUR POOL IS AN INDEPENDENT CONTRACTOR AND IS NOT AN AGENT OF THE MANUFACTURER. THE CONSTRUCTION METHODS ILLUSTRATED HERE ARE SUGGESTIONS AND APPLY ONLY TO NORMAL GROUND CONDITIONS. THERE MAY BE ADDITIONAL PRECAUTIONS AND/OR METHODS OF CONSTRUCTION. PROPER INSTALLATION IS THE RESPONSIBILITY OF THE DEALER/BUILDER/CONTRACTOR.

ENGINEERING DRAWING NUMBER: <b>00017254</b>	WEIGHT:	<b>UNLESS OTHERWISE SPECIFIED</b> DIMENSIONS ARE IN INCHES TOLERANCES DECIMALS: X ± .1 XX ± .01 XXX ± .001 XXXX ± .0005  ANGULAR: X ± 0.5 THIRD ANGLE PROJECTION	DESIGNED BY:	CREATION DATE:
	lbs		RCOLBOCH	6/19/2013
	VOLUME:		DETAILED BY:	DETAILED DATE:
	Inch <sup>3</sup>		RSANVICENTE	1/16/2018
	COLOR:		LAST REVISED BY:	LAST REVISED DATE:
	NA		hyeng	1/18/2018
HEAT TREAT:	MATERIAL:			
NA				
FINISH:				
NA				
TEXTURE:				

<b>HYDRA POOLS</b>	
TITLE: LAYOUT, 23'-3" X 42'-4", OASIS, 8' DEEP, HS110N, LIGHT, 3'-INLET, 2- 1084, 600 SERIES	
PART NUMBER:	SCALE: 1:192
<b>00017254</b>	SHEET: 1 OF 4
	<b>A</b>



**Area: 701.59ft ^2**  
**Perimeter: 109.60ft**  
**Volume = 24021 US gallons**



**NOTES:**

1. THESE ARE FINISHED DIMENSIONS READY FOR THE LINER.
2. DIMENSIONS ARE FROM INSIDE POOL PANELS.
3. ROPE AND FLOAT ASSEMBLY SHOULD BE INSTALLED IN ACCORDANCE WITH CURRENT ANSI/ASPS/ICC REGULATIONS
4. HYDRA LINER TRACK FOR STEPS IS INSTALLED WITH THE BARB FACING THE RISER WALL ON THE STEP.

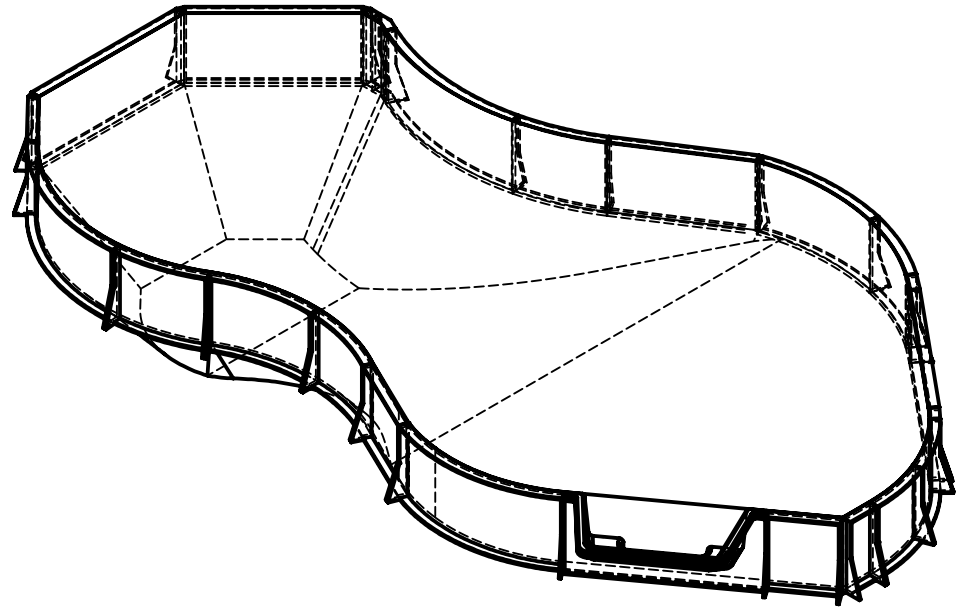
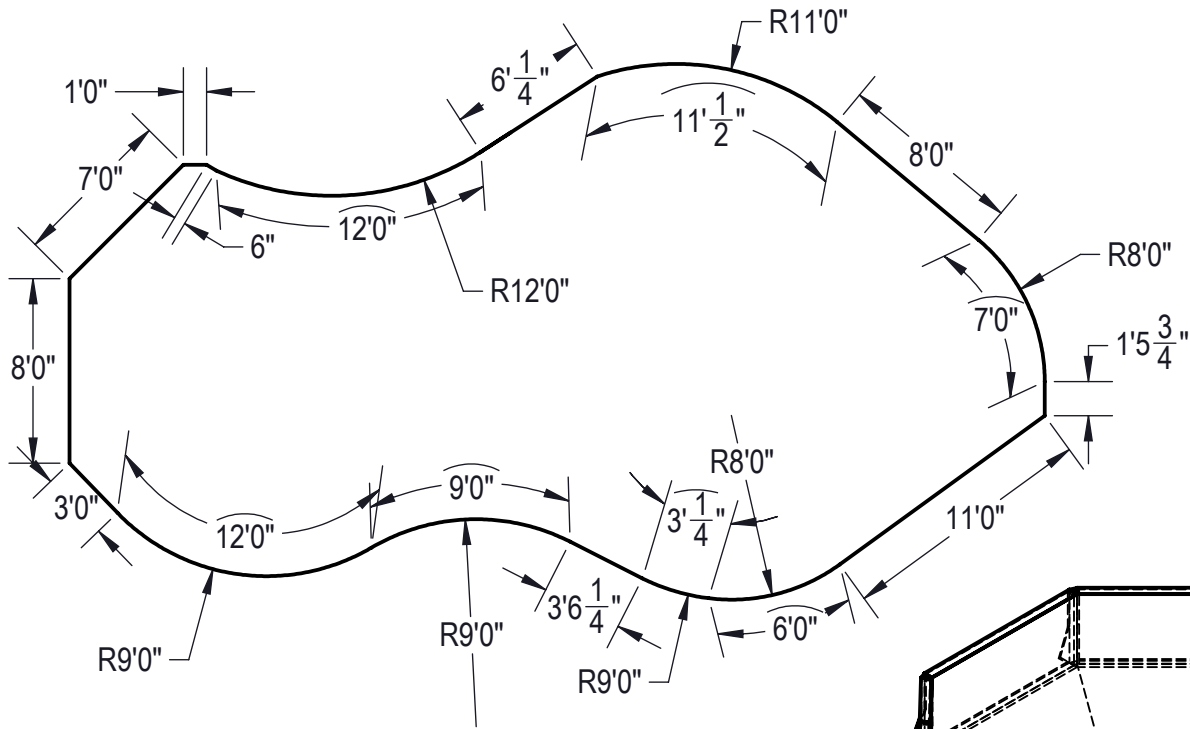
**EXCAVATION NOTES:**

5. ROUGH EXCAVATION SHOULD BE 2" DEEPER IN EACH INSTANCE.
6. SOIL TO HAVE MINIMUM BEARING CAPACITY OF 1500 PSF.
7. LOCATE TOP OF POOL AT LEAST 6" ABOVE THE SURROUNDING LAND ELEVATION.
8. SEE "OVER DIG DETAIL" FOR EXCAVATION AROUND POOL.
9. FILL VOIDS UNDER BASE OF PANELS AND TAMP WELL.
10. BACK FILL WITH NON-EXPANSIVE MATERIAL.
11. FOLLOW ALL CURRENT ANSI / APSP / ICC GUIDELINES FOR RESIDENTIAL POOLS

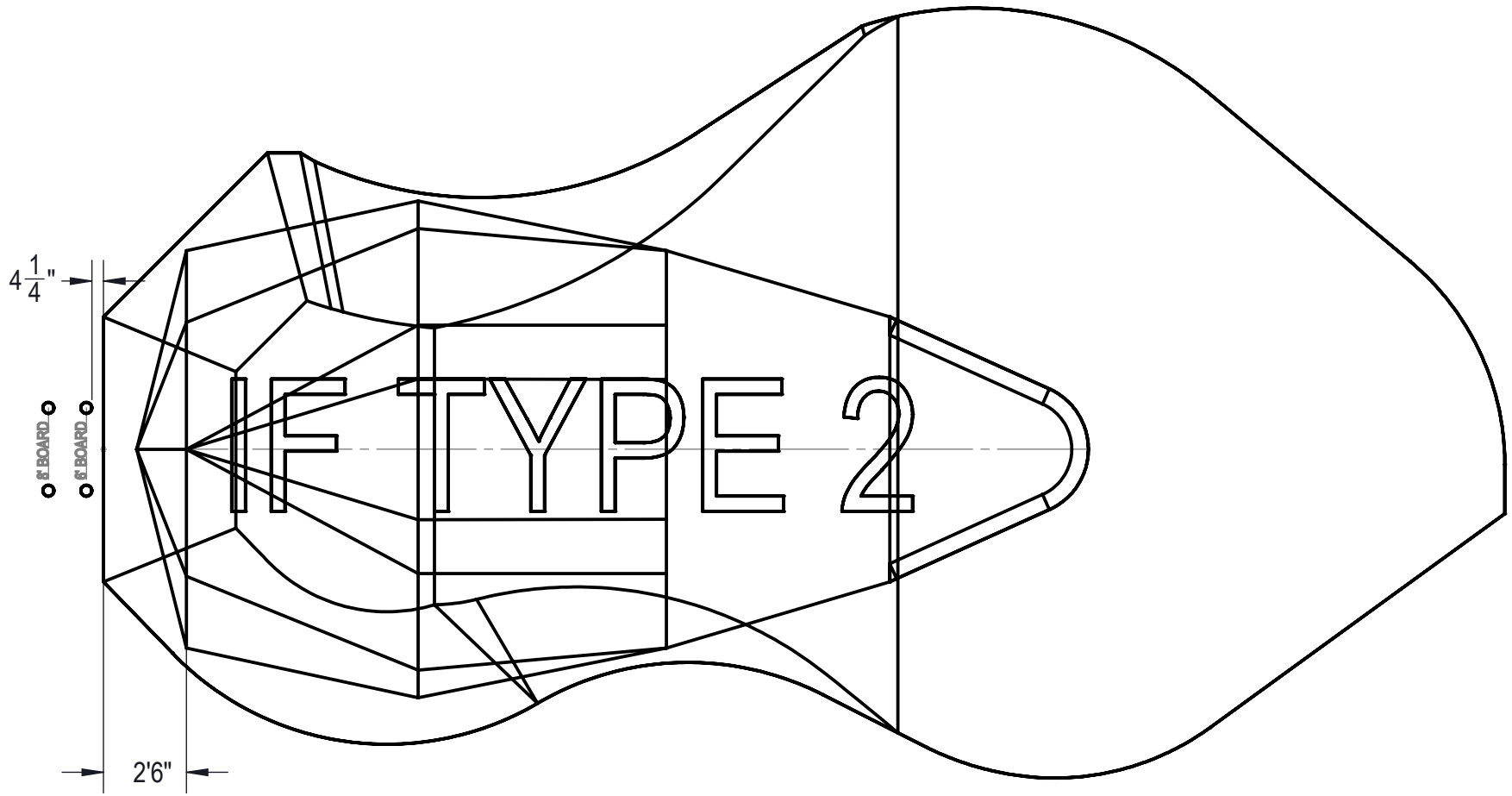
**IMPORTANT NOTES:**


THIS DOCUMENT IS FOR ILLUSTRATIVE PURPOSES ONLY. THE DEALER OR CONTRACTOR WHO SELLS OR INSTALLS YOUR POOL IS AN INDEPENDENT CONTRACTOR AND IS NOT AN AGENT OF THE MANUFACTURER. THE CONSTRUCTION METHODS ILLUSTRATED HERE ARE SUGGESTIONS AND APPLY ONLY TO NORMAL GROUND CONDITIONS. THERE MAY BE ADDITIONAL PRECAUTIONS AND/OR METHODS OF CONSTRUCTION. PROPER INSTALLATION IS THE RESPONSIBILITY OF THE DEALER/BUILDER/CONTRACTOR.

ENGINEERING DRAWING NUMBER: <b>00017254</b>	WEIGHT: lbs	<b>UNLESS OTHERWISE SPECIFIED</b> DIMENSIONS ARE IN INCHES TOLERANCES DECIMALS: X ± .1 XX ± .01 XXX ± .001 XXXX ± .0005  ANGULAR: X ± 0.5 THIRD ANGLE PROJECTION	DESIGNED BY: RCOLBOCH	CREATION DATE: 6/19/2013	<b>HYDRA POOLS</b>	
	VOLUME: Inch <sup>3</sup>		DETAILED BY: RSANVICENTE	DETAILED DATE: 1/16/2018		
	COLOR:		LAST REVISED BY: hyeng	LAST REVISED DATE: 1/18/2018	TITLE: LAYOUT, 23'-3" X 42'-4", OASIS, 8' DEEP, HS110N, LIGHT, 3-INLET, 2- 1084, 600 SERIES	
	HEAT TREAT:		MATERIAL:			
FINISH:	PART NUMBER: <b>00017254</b>		SCALE: 1:192	SIZE: <b>A</b>		
TEXTURE:			SHEET: 2 OF 4			



ENGINEERING DRAWING NUMBER: <b>00017254</b>	WEIGHT:	<b>UNLESS OTHERWISE SPECIFIED</b> DIMENSIONS ARE IN INCHES TOLERANCES DECIMALS: X ± .1 XX ± .01 XXX ± .001 XXXX ± .0005  ANGULAR: X ± 0.5 THIRD ANGLE PROJECTION 	DESIGNED BY:	CREATION DATE:	<b>HYDRA POOLS</b>  TITLE: LAYOUT, 23'-3" X 42'-4", OASIS, 8' DEEP, HS110N, LIGHT, 3-INLET, 2- 1084, 600 SERIES
	lbs		RCOLBOCH	6/19/2013	
	VOLUME:		DETAILED BY:	DETAILED DATE:	
	Inch <sup>3</sup>		RSANVICENTE	1/16/2018	
	COLOR:		LAST REVISED BY:	LAST REVISED DATE:	
	NA		hyeng	1/18/2018	
HEAT TREAT:	MATERIAL:	PART NUMBER:	SCALE:	SIZE:	
NA		<b>00017254</b>	1:192	<b>A</b>	
FINISH:			SHEET:		
NA			3 OF 4		
TEXTURE:					
NA					



ENGINEERING DRAWING NUMBER: <b>00017254</b>	WEIGHT:	<b>UNLESS OTHERWISE SPECIFIED</b> DIMENSIONS ARE IN INCHES TOLERANCES DECIMALS: X ± .1 XX ± .01 XXX ± .001 XXXX ± .0005 ANGULAR: X ± 0.5 THIRD ANGLE PROJECTION 	DESIGNED BY:	CREATION DATE:	<b>HYDRA POOLS</b>  TITLE: LAYOUT, 23'-3" X 42'-4", OASIS, 8' DEEP, HS110N, LIGHT, 3- INLET, 2- 1084, 600 SERIES  PART NUMBER: <span style="font-size: 2em; font-weight: bold;">00017254</span>
	lbs		RCOLBOCH	6/19/2013	
	VOLUME:		DETAILED BY:	DETAILED DATE:	
	Inch <sup>3</sup>		RSANVICENTE	1/16/2018	
	COLOR:		LAST REVISED BY:	LAST REVISED DATE:	
	NA		hyeng	1/18/2018	
HEAT TREAT:	MATERIAL:				
NA					
FINISH:				SCALE:	SIZE:
NA				1:192	A
TEXTURE:				SHEET:	
				4 OF 4	