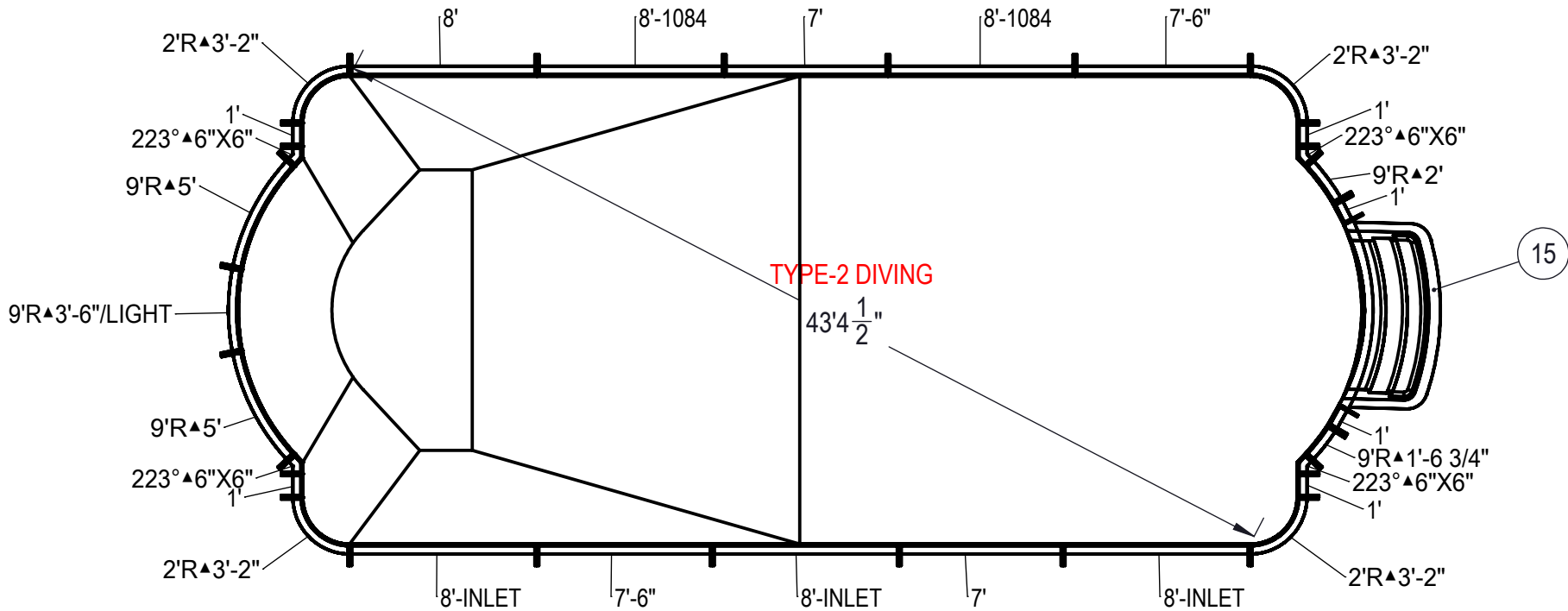


REVISION HISTORY				
REV.	DESCRIPTION	DATE	ECO	BY

MIRROR NUMBER: 00017306 CHECK IN DATE/TIME: Monday, January 22, 2018 11:23:07 AM



NOTES:

- THESE ARE FINISHED DIMENSIONS READY FOR THE LINER.
- DIMENSIONS ARE FROM INSIDE POOL PANELS.
- ROPE AND FLOAT ASSEMBLY SHOULD BE INSTALLED IN ACCORDANCE WITH CURRENT ANSI/ASPS/ICC REGULATIONS
- HYDRA LINER TRACK FOR STEPS IS INSTALLED WITH THE BARB FACING THE RISER WALL ON THE STEP.

EXCAVATION NOTES:

- ROUGH EXCAVATION SHOULD BE 2" DEEPER IN EACH INSTANCE.
- SOIL TO HAVE MINIMUM BEARING CAPACITY OF 1500 PSF.
- LOCATE TOP OF POOL AT LEAST 6" ABOVE THE SURROUNDING LAND ELEVATION.
- SEE "OVER DIG DETAIL" FOR EXCAVATION AROUND POOL.
- FILL VOIDS UNDER BASE OF PANELS AND TAMP WELL.
- BACK FILL WITH NON-EXPANSIVE MATERIAL.
- FOLLOW ALL CURRENT ANSI / ASP / ICC GUIDELINES FOR RESIDENTIAL POOLS

IMPORTANT NOTES:

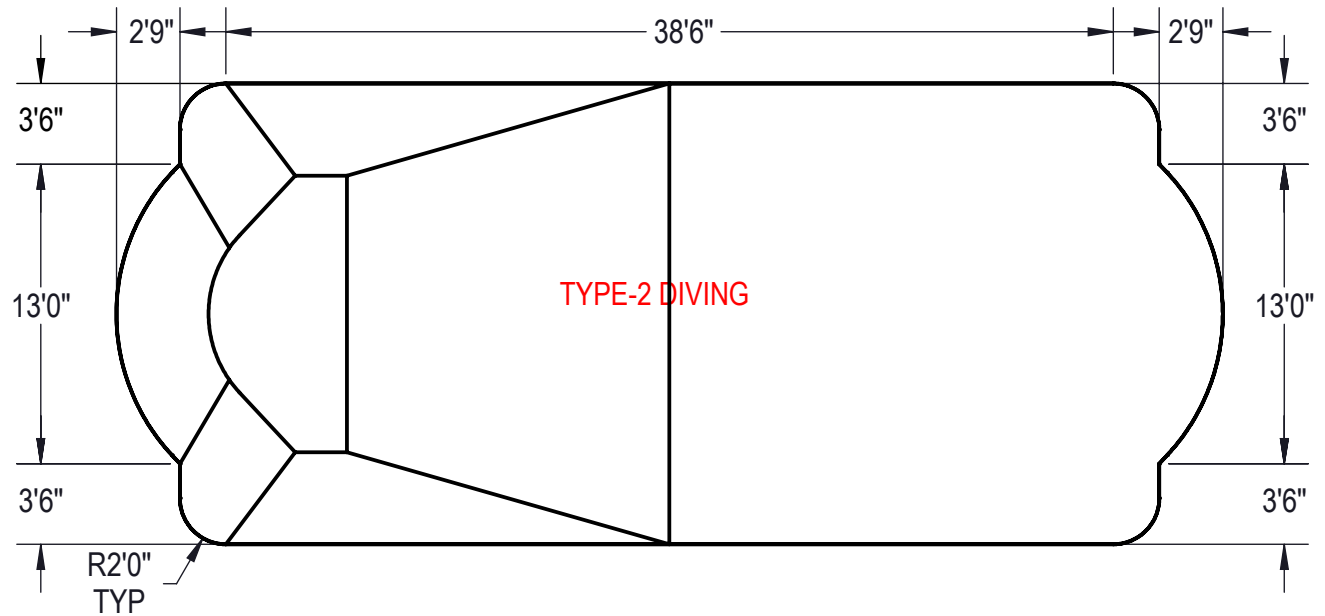
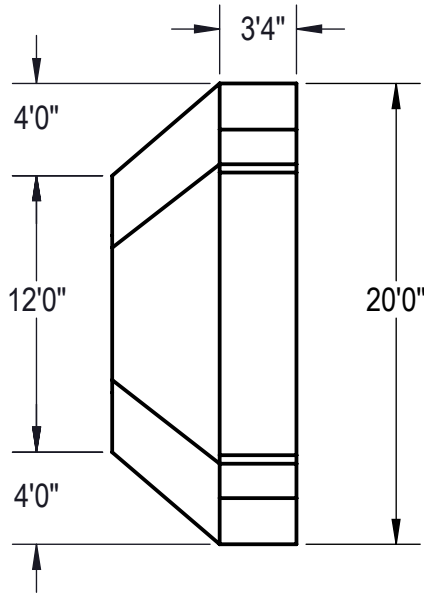
THIS DOCUMENT IS FOR ILLUSTRATIVE PURPOSES ONLY. THE DEALER OR CONTRACTOR WHO SELLS OR INSTALLS YOUR POOL IS AN INDEPENDENT CONTRACTOR AND IS NOT AN AGENT OF THE MANUFACTURER. THE CONSTRUCTION METHODS ILLUSTRATED HERE ARE SUGGESTIONS AND APPLY ONLY TO NORMAL GROUND CONDITIONS. THERE MAY BE ADDITIONAL PRECAUTIONS AND/OR METHODS OF CONSTRUCTION. PROPER INSTALLATION IS THE RESPONSIBILITY OF THE DEALER/BUILDER/CONTRACTOR.

ITEM	FILE NAME	DESCRIPTION	CUSTOMER DRAWING #	VENDOR PART #	QTY.
1	BOLT, PACK	BOLT, FLANGE, 3/8-16 X 1", PACK (50)	HPS1916	HPS1916	7
2	SBRACE	BRACE, FOLD OVER WITH TURNBUCKLE, STEEL, HPSFOB	HPSFOB	HPSFOB	28
3	PANEL, ANGLE	PANEL, ANGLE, 6" X 6" X 223°, 600 SERIES	HPSD6X6223	00001418	4
4	PANEL, STRAIGHT	PANEL, 1' LONG, 600 SERIES	HPSD101P	00000621	6
5	PANEL, RADIUS	PANEL, 2' RADIUS, 3-2" LONG, 600 SERIES	HPSD2R	00000287	4
6	PANEL, STRAIGHT	PANEL, 7' LONG, 600 SERIES	HPSC58	0010126	2
7	PANEL, STRAIGHT	PANEL, 7'-6" LONG, 600 SERIES	HPSD1076P	00000682	2
8	PANEL, STRAIGHT	PANEL, 8' LONG, 1084, 600 SERIES	HPSD10884	00002006	2
9	PANEL, STRAIGHT	PANEL, 8' LONG, 600 SERIES	HPSD108P	00000687	1
10	PANEL, STRAIGHT	PANEL, 8' LONG, INLET, 600 SERIES	HPSD108I	00000699	3
11	PANEL, RADIUS	PANEL, 9' RADIUS, 1'-6 3/4" LONG, 600 SERIES	HPSCR2	00003036	1
12	PANEL, RADIUS	PANEL, 9' RADIUS, 2' LONG, 600 SERIES	HPSD9R2	00000349	1
13	PANEL, RADIUS	PANEL, 9' RADIUS, 3'-6" LONG, LIGHT, 600 SERIES	HPSD9R36L	00001645	1
14	PANEL, RADIUS	PANEL, 9' RADIUS, 5' LONG, 600 SERIES	HPSD9R5	00000354	2
15	HS106N	STEP, 8' RADIUS, 3 TREAD	HS106N	HS106N	1

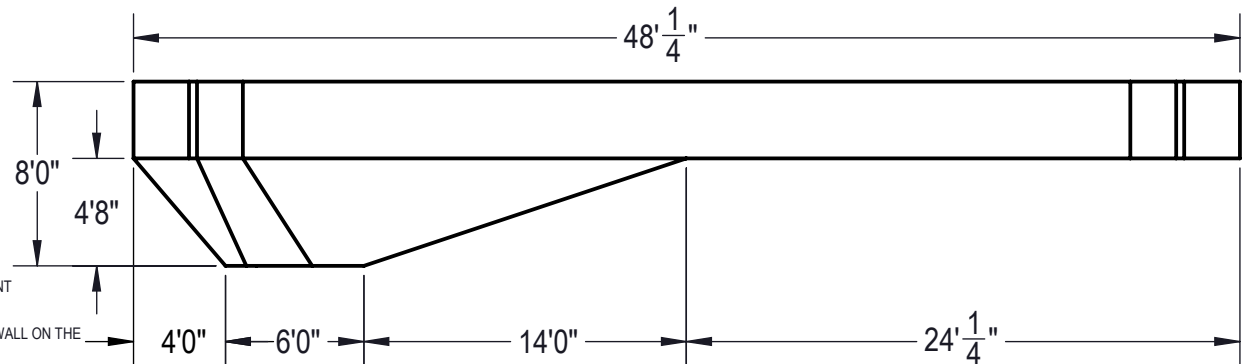
ENGINEERING DRAWING NUMBER: 00017306	WEIGHT:	UNLESS OTHERWISE SPECIFIED DIMENSIONS ARE IN INCHES TOLERANCES DECIMALS: X ± .1 XX ± .01 XXX ± .001 XXXX ± .0005
	lbs	
	VOLUME:	
	Inch ³	
	COLOR:	
	HEAT TREAT:	ANGULAR: X ± 0.5
	FINISH:	THIRD ANGLE PROJECTION
TEXTURE:		

DESIGNED BY: RCOLBOCH	CREATION DATE: 5/7/2013
DETAILED BY: RSANVICENTE	DETAILED DATE: 1/22/2018
LAST REVISED BY: hyeng	LAST REVISED DATE: 1/22/2018
MATERIAL:	

HYDRA POOLS	
TITLE: LAYOUT, 20' X 48', ROMAN DOUBLE, 2' RADIUS, 8' DEEP, HS106N, LIGHT, 3- INLET, 2- 1084, 600 SERIES	
PART NUMBER: 00017306	SCALE: 1:128 SHEET: 1 OF 4
	SIZE: A



Area: 896.08ft ^2
Perimeter: 124.58ft
Volume = 30335 US gallons



NOTES:

1. THESE ARE FINISHED DIMENSIONS READY FOR THE LINER.
2. DIMENSIONS ARE FROM INSIDE POOL PANELS.
3. ROPE AND FLOAT ASSEMBLY SHOULD BE INSTALLED IN ACCORDANCE WITH CURRENT ANSI/ASPS/ICC REGULATIONS
4. HYDRA LINER TRACK FOR STEPS IS INSTALLED WITH THE BARB FACING THE RISER WALL ON THE STEP.

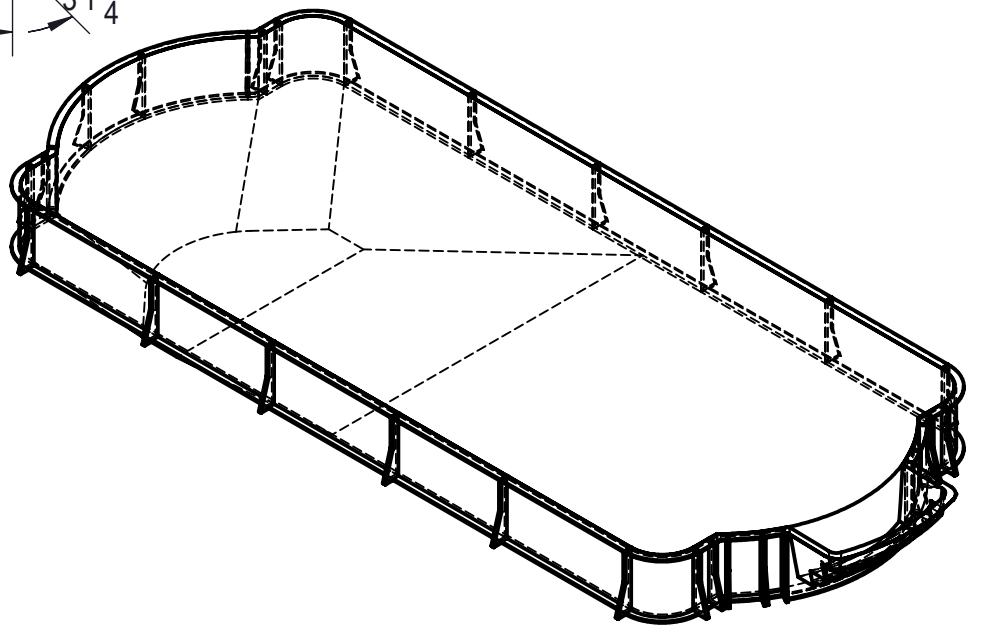
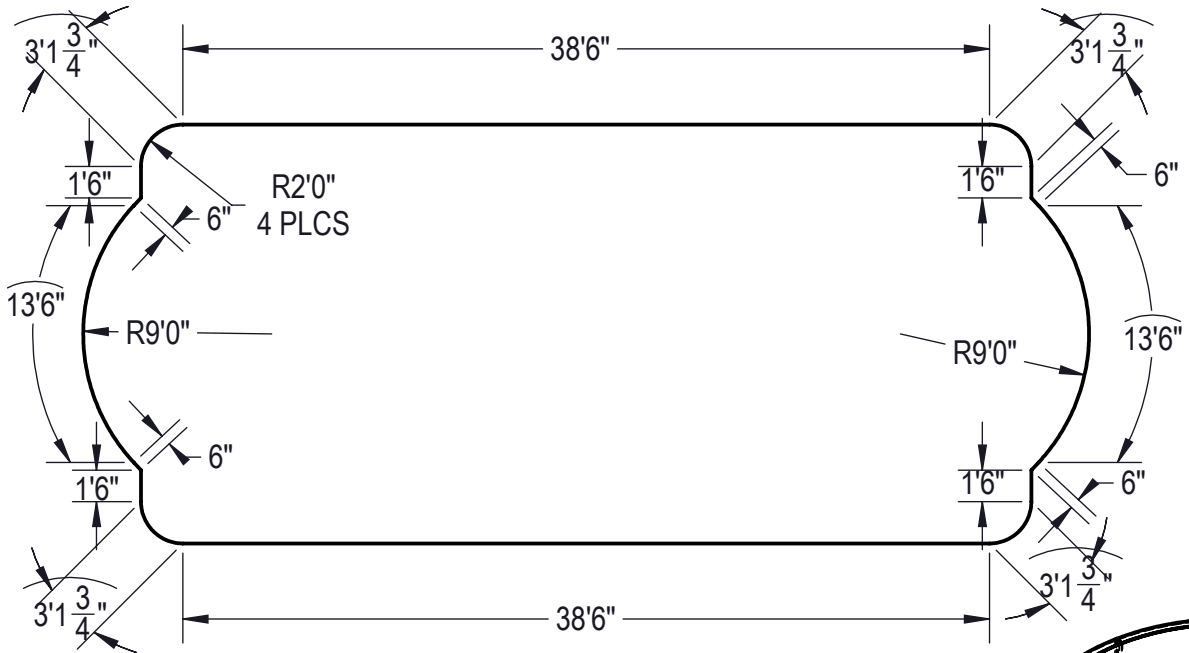
EXCAVATION NOTES:

5. ROUGH EXCAVATION SHOULD BE 2" DEEPER IN EACH INSTANCE.
6. SOIL TO HAVE MINIMUM BEARING CAPACITY OF 1500 PSF.
7. LOCATE TOP OF POOL AT LEAST 6" ABOVE THE SURROUNDING LAND ELEVATION.
8. SEE "OVER DIG DETAIL" FOR EXCAVATION AROUND POOL.
9. FILL VOIDS UNDER BASE OF PANELS AND TAMP WELL.
10. BACK FILL WITH NON-EXPANSIVE MATERIAL.
11. FOLLOW ALL CURRENT ANSI / ASP / ICC GUIDELINES FOR RESIDENTIAL POOLS

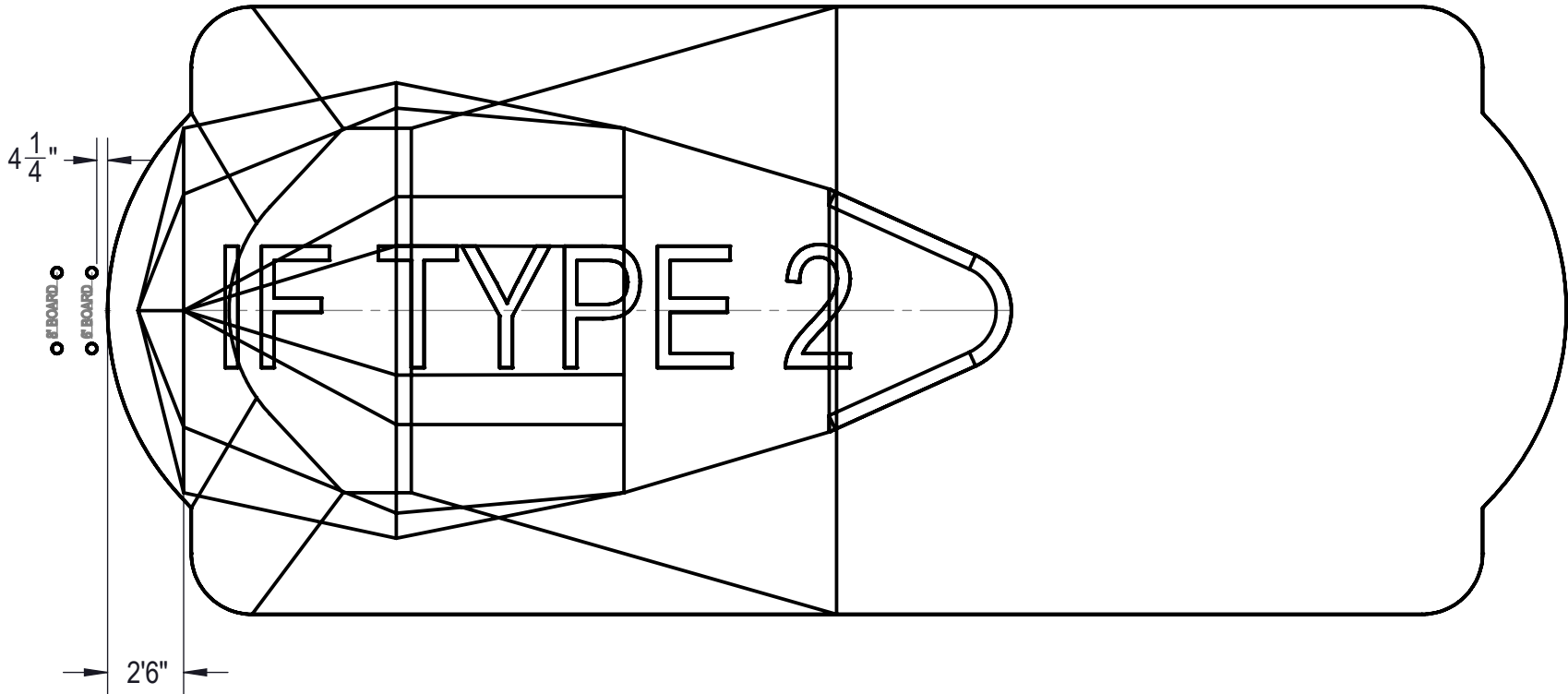
IMPORTANT NOTES:


THIS DOCUMENT IS FOR ILLUSTRATIVE PURPOSES ONLY. THE DEALER OR CONTRACTOR WHO SELLS OR INSTALLS YOUR POOL IS AN INDEPENDENT CONTRACTOR AND IS NOT AN AGENT OF THE MANUFACTURER. THE CONSTRUCTION METHODS ILLUSTRATED HERE ARE SUGGESTIONS AND APPLY ONLY TO NORMAL GROUND CONDITIONS. THERE MAY BE ADDITIONAL PRECAUTIONS AND/OR METHODS OF CONSTRUCTION. PROPER INSTALLATION IS THE RESPONSIBILITY OF THE DEALER/BUILDER/CONTRACTOR.

ENGINEERING DRAWING NUMBER: 00017306	WEIGHT:	UNLESS OTHERWISE SPECIFIED DIMENSIONS ARE IN INCHES TOLERANCES DECIMALS: X ± .1 XX ± .01 XXX ± .001 XXXX ± .0005 ANGULAR: X ± 0.5 THIRD ANGLE PROJECTION	DESIGNED BY:	CREATION DATE:	HYDRA POOLS
	lbs		RCOLBOCH	5/7/2013	
	VOLUME:			DETAILED BY:	DETAILED DATE:
	Inch ³			RSANVICENTE	1/22/2018
COLOR:		LAST REVISED BY:	LAST REVISED DATE:	TITLE: LAYOUT, 20' X 48', ROMAN DOUBLE, 2' RADIUS, 8" DEEP, HS106N, LIGHT, 3- INLET, 2- 1084, 600 SERIES	
NA		hyeng	1/22/2018		
HEAT TREAT:		MATERIAL:		PART NUMBER:	SCALE:
NA				00017306	1:128
FINISH:					SHEET:
NA					2 OF 4
TEXTURE:					SIZE:
NA					A



ENGINEERING DRAWING NUMBER: 00017306	WEIGHT:	UNLESS OTHERWISE SPECIFIED DIMENSIONS ARE IN INCHES TOLERANCES DECIMALS: X ± .1 XX ± .01 XXX ± .001 XXXX ± .0005 ANGULAR: X ± 0.5 THIRD ANGLE PROJECTION 	DESIGNED BY:	CREATION DATE:	HYDRA POOLS	
	lbs		RCOLBOCH	5/7/2013		
	VOLUME:		DESIGNED BY:	DETAILED DATE:	TITLE: LAYOUT, 20' X 48', ROMAN DOUBLE, 2' RADIUS, 8" DEEP, HS106N, LIGHT, 3- INLET, 2- 1084, 600 SERIES	
	Inch ³		RSANVICENTE	1/22/2018		
	COLOR:		LAST REVISED BY:	LAST REVISED DATE:		
	NA		hyeng	1/22/2018		
HEAT TREAT:	MATERIAL:	PART NUMBER:	SCALE:	SIZE:		
NA		00017306	1:128	A		
FINISH:			SHEET:			
NA			3 OF 4			
TEXTURE:						
NA						



ENGINEERING DRAWING NUMBER: 00017306	WEIGHT:	UNLESS OTHERWISE SPECIFIED DIMENSIONS ARE IN INCHES TOLERANCES DECIMALS: X ± .1 XX ± .01 XXX ± .001 XXXX ± .0005 ANGULAR: X ± 0.5 THIRD ANGLE PROJECTION 	DESIGNED BY:	CREATION DATE:	HYDRA POOLS
	lbs		RCOLBOCH	5/7/2013	
	VOLUME:		DETAILED BY:	DETAILED DATE:	
	Inch ³		RSANVICENTE	1/22/2018	
	COLOR:		LAST REVISED BY:	LAST REVISED DATE:	TITLE: LAYOUT, 20' X 48', ROMAN DOUBLE, 2' RADIUS, 8' DEEP, HS106N, LIGHT, 3- INLET, 2- 1084, 600 SERIES
	NA		hyeng	1/22/2018	
HEAT TREAT:	MATERIAL:	PART NUMBER:		SCALE:	SIZE:
NA		00017306		1:128	A
FINISH:				SHEET:	
NA		4 OF 4			
TEXTURE:					
NA					