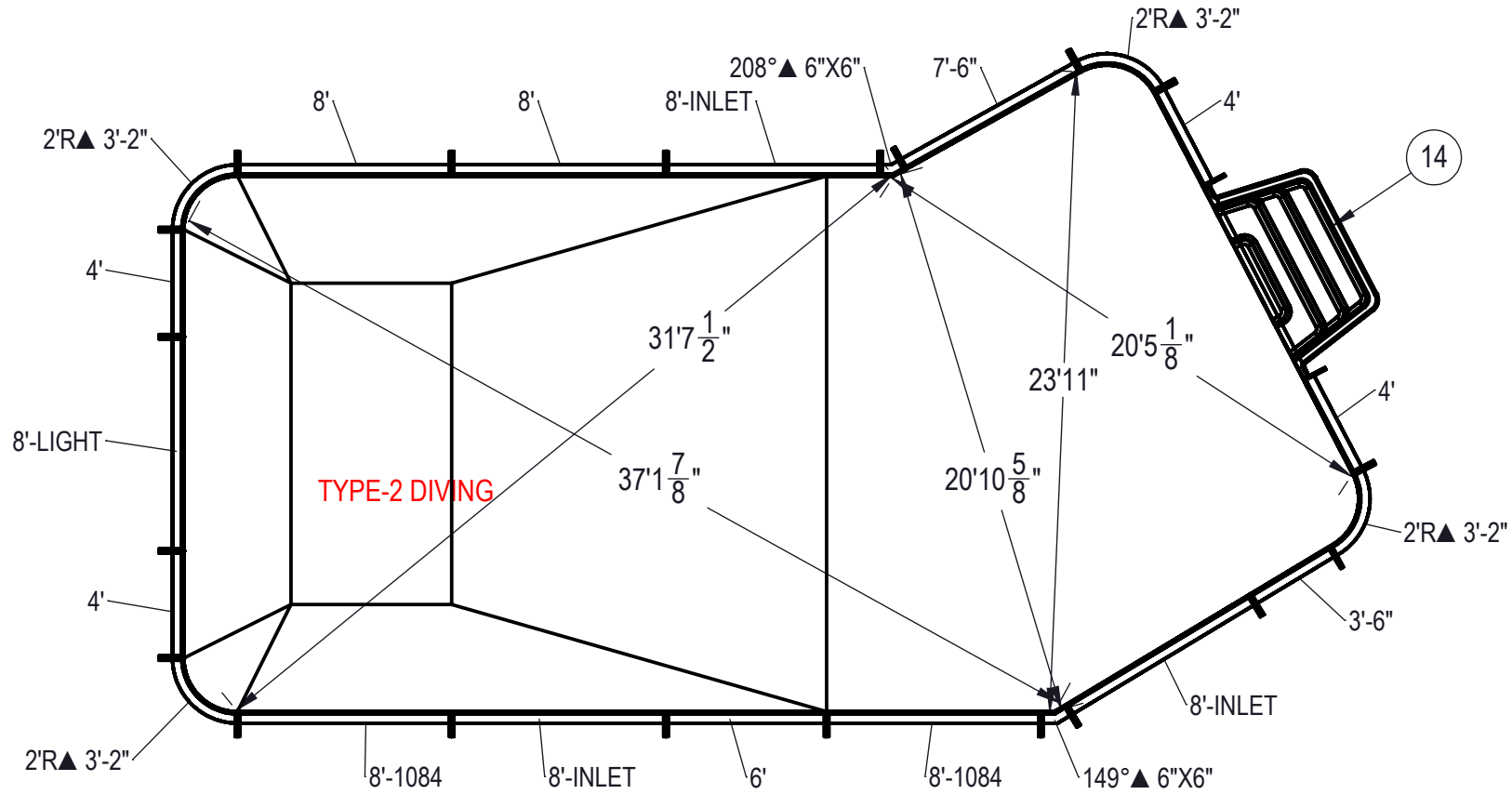


REVISION HISTORY				
REV.	DESCRIPTION	DATE	ECO	BY



**NOTES:**

- THESE ARE FINISHED DIMENSIONS READY FOR THE LINER.
- DIMENSIONS ARE FROM INSIDE POOL PANELS.
- ROPE AND FLOAT ASSEMBLY SHOULD BE INSTALLED IN ACCORDANCE WITH CURRENT ANSI/ASPS/ICC REGULATIONS
- HYDRA LINER TRACK FOR STEPS IS INSTALLED WITH THE BARB FACING THE RISER WALL ON THE STEP.

**EXCAVATION NOTES:**

- ROUGH EXCAVATION SHOULD BE 2" DEEPER IN EACH INSTANCE.
- SOIL TO HAVE MINIMUM BEARING CAPACITY OF 1500 PSF.
- LOCATE TOP OF POOL AT LEAST 6" ABOVE THE SURROUNDING LAND ELEVATION.
- SEE "OVER DIG DETAIL" FOR EXCAVATION AROUND POOL.
- FILL VOIDS UNDER BASE OF PANELS AND TAMP WELL.
- BACK FILL WITH NON-EXPANSIVE MATERIAL.
- FOLLOW ALL CURRENT ANSI / APSP / ICC GUIDELINES FOR RESIDENTIAL POOLS

**IMPORTANT NOTES:**

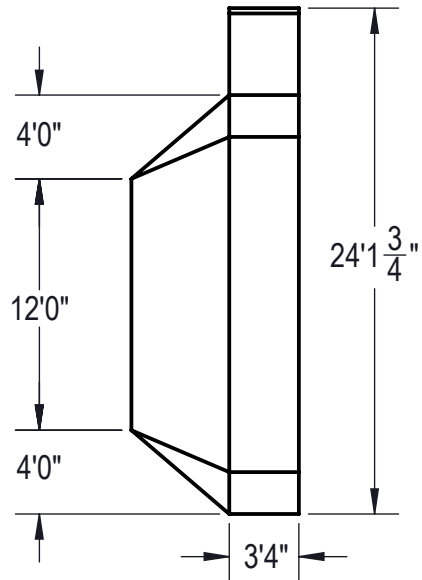
THIS DOCUMENT IS FOR ILLUSTRATIVE PURPOSES ONLY. THE DEALER OR CONTRACTOR WHO SELLS OR INSTALLS YOUR POOL IS AN INDEPENDENT CONTRACTOR AND IS NOT AN AGENT OF THE MANUFACTURER. THE CONSTRUCTION METHODS ILLUSTRATED HERE ARE SUGGESTIONS AND APPLY ONLY TO NORMAL GROUND CONDITIONS. THERE MAY BE ADDITIONAL PRECAUTIONS AND/OR METHODS OF CONSTRUCTION. PROPER INSTALLATION IS THE RESPONSIBILITY OF THE DEALER/BUILDER/CONTRACTOR.

ITEM	FILE NAME	DESCRIPTION	CUSTOMER DRAWING #	VENDOR PART #	QTY
1	BOLT, PACK	BOLT, FLANGE, 3/8-16 X 1", PACK (50)	HPS1916	HPS1916	5
2	SBRACE	BRACE, FOLD OVER WITH TURNBUCKLE, STEEL, HPSFOB	HPSFOB	HPSFOB	22
3	PANEL, ANGLE	PANEL, ANGLE, 6" X 6" X 149°, 600 SERIES	HPSD6X6149	00001388	1
4	PANEL, ANGLE	PANEL, ANGLE, 6" X 6" X 208°, 600 SERIES	HPSDLLR	00001673	1
5	PANEL, RADIUS	PANEL, 2' RADIUS, 3-2" LONG, 600 SERIES	HPSD2R	00000287	4
6	PANEL, STRAIGHT	PANEL, 3-6" LONG, 600 SERIES	HPSD1036P	00002022	1
7	PANEL, STRAIGHT	PANEL, 4' LONG, 600 SERIES	HPSD104P	00000274	4
8	PANEL, STRAIGHT	PANEL, 6' LONG, 600 SERIES	HPSD106P	00000676	1
9	PANEL, STRAIGHT	PANEL, 7-6" LONG, 600 SERIES	HPSD1076P	00000682	1
10	PANEL, STRAIGHT	PANEL, 8' LONG, 1084, 600 SERIES	HPSD10884	00002006	2
11	PANEL, STRAIGHT	PANEL, 8' LONG, 600 SERIES	HPSD108P	00000687	2
12	PANEL, STRAIGHT	PANEL, 8' LONG, INLET, 600 SERIES	HPSD108I	00000699	3
13	PANEL, STRAIGHT	PANEL, 8' LONG, LIGHT, 600 SERIES	HPSD108L	00000701	1
14	HS110N	STEP, 8', TWIN SEAT, 4 TREAD	HS110N	HS110N	1

ENGINEERING DRAWING NUMBER: <b>00017116</b>	WEIGHT: 360529.1 lbs	<b>UNLESS OTHERWISE SPECIFIED</b> DIMENSIONS ARE IN INCHES TOLERANCES DECIMALS: X ± .1 XX ± .01 XXX ± .001 XXXX ± .0005  ANGULAR: X ± 0.5 THIRD ANGLE PROJECTION
	VOLUME: Inch³	
	COLOR:	
	HEAT TREAT:	
	FINISH:	
	TEXTURE:	

DESIGNED BY: <b>BUMPHREY</b>	CREATION DATE: 3/15/2013
DETAILED BY: <b>BUMPHREY</b>	DETAILED DATE: 1/5/2018
LAST REVISED BY: <b>bumphrey</b>	LAST REVISED DATE: 1/5/2018
MATERIAL:	

<b>HYDRA POOLS</b>	
TITLE: LAYOUT, 20' X 43'11", LAZY L, RIGHT, 2' RADIUS, 8' DEEP, HS110N, LIGHT, 2-1084, 3-INLET, 600 SERIES	
PART NUMBER: <b>00017116</b>	SCALE: 1:192 SHEET: 1 OF 4 SIZE: <b>A</b>



**Area: 828.54ft ^2**  
**Perimeter: 119.63ft**  
**Volume = 29437 US gallons**

**NOTES:**

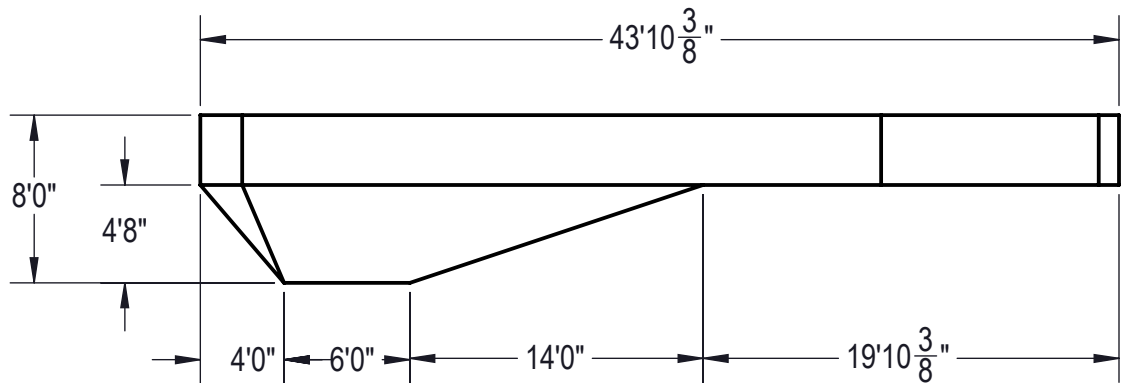
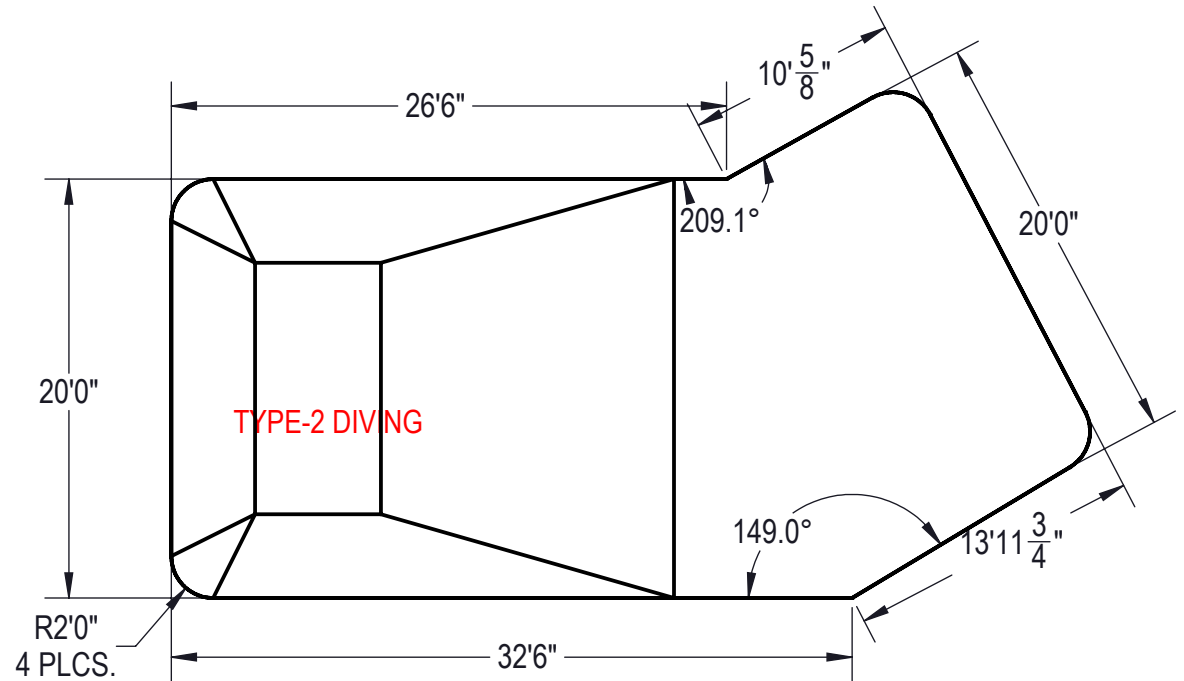
1. THESE ARE FINISHED DIMENSIONS READY FOR THE LINER.
2. DIMENSIONS ARE FROM INSIDE POOL PANELS.
3. ROPE AND FLOAT ASSEMBLY SHOULD BE INSTALLED IN ACCORDANCE WITH CURRENT ANSI/APSP/ICC REGULATIONS
4. HYDRA LINER TRACK FOR STEPS IS INSTALLED WITH THE BARB FACING THE RISER WALL ON THE STEP.

**EXCAVATION NOTES:**

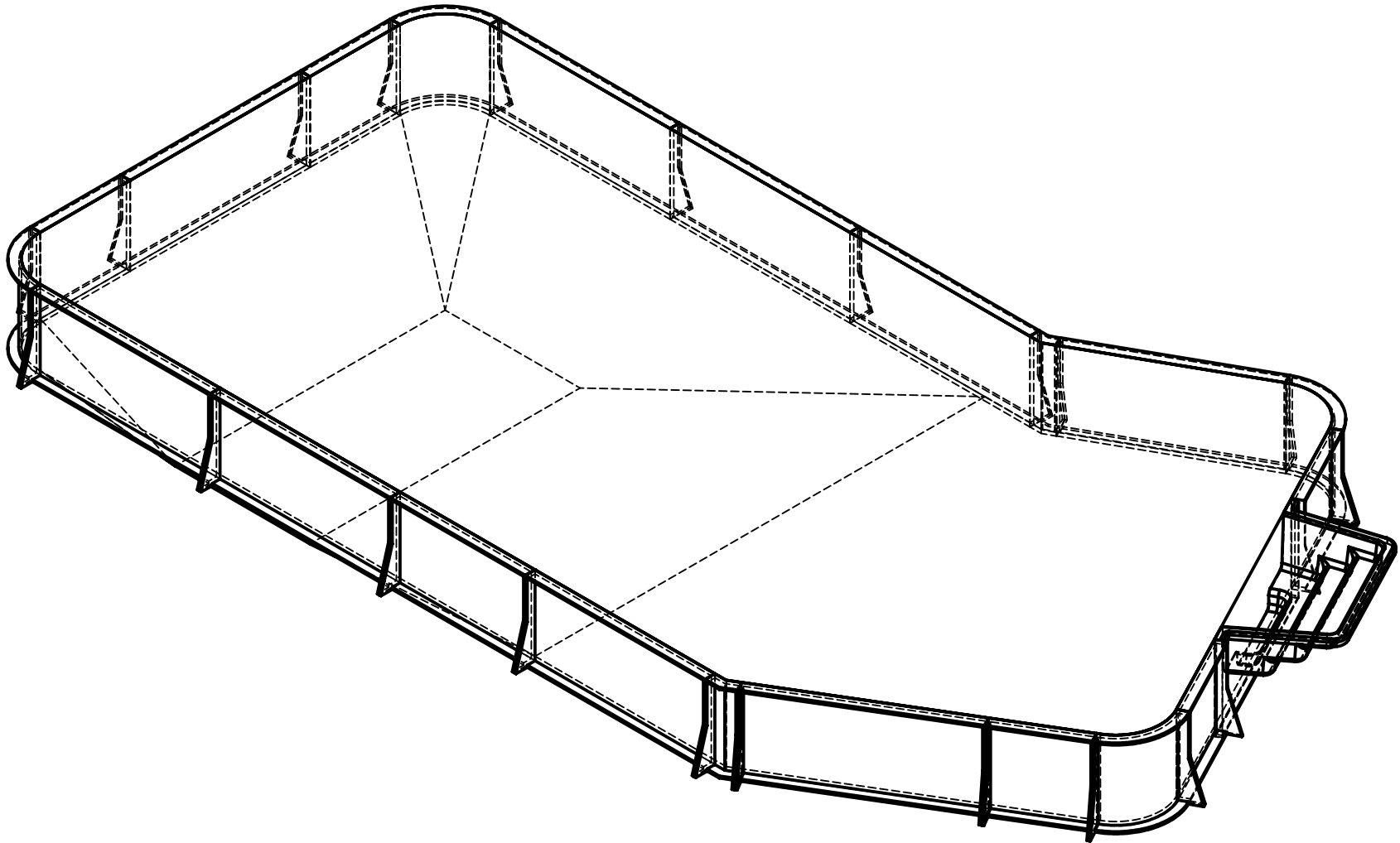
5. ROUGH EXCAVATION SHOULD BE 2" DEEPER IN EACH INSTANCE.
6. SOIL TO HAVE MINIMUM BEARING CAPACITY OF 1500 PSF.
7. LOCATE TOP OF POOL AT LEAST 6" ABOVE THE SURROUNDING LAND ELEVATION.
8. SEE "OVER DIG DETAIL" FOR EXCAVATION AROUND POOL.
9. FILL VOIDS UNDER BASE OF PANELS AND TAMP WELL.
10. BACK FILL WITH NON-EXPANSIVE MATERIAL.
11. FOLLOW ALL CURRENT ANSI / APSP / ICC GUIDELINES FOR RESIDENTIAL POOLS


**IMPORTANT NOTES:**

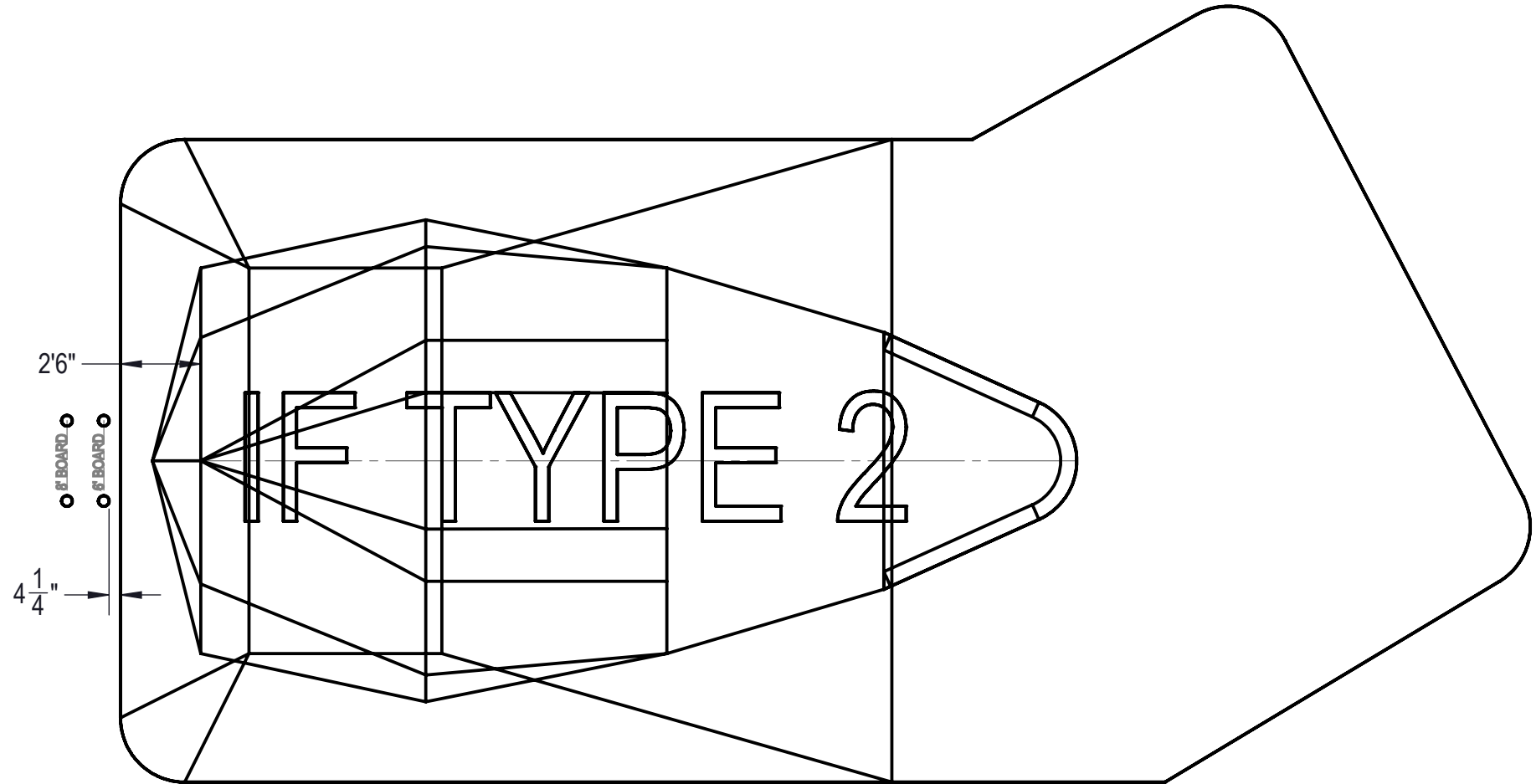
THIS DOCUMENT IS FOR ILLUSTRATIVE PURPOSES ONLY. THE DEALER OR CONTRACTOR WHO SELLS OR INSTALLS YOUR POOL IS AN INDEPENDENT CONTRACTOR AND IS NOT AN AGENT OF THE MANUFACTURER. THE CONSTRUCTION METHODS ILLUSTRATED HERE ARE SUGGESTIONS AND APPLY ONLY TO NORMAL GROUND CONDITIONS. THERE MAY BE ADDITIONAL PRECAUTIONS AND/OR METHODS OF CONSTRUCTION. PROPER INSTALLATION IS THE RESPONSIBILITY OF THE DEALER/BUILDER/CONTRACTOR.




ENGINEERING DRAWING NUMBER: <b>00017116</b>	WEIGHT: 245661.746 lbs	<b>UNLESS OTHERWISE SPECIFIED</b> DIMENSIONS ARE IN INCHES TOLERANCES DECIMALS: X ± .1 XX ± .01 XXX ± .001 XXXX ± .0005  ANGULAR: X ± 0.5 THIRD ANGLE PROJECTION	DESIGNED BY: <b>BUMPHREY</b>	CREATION DATE: 3/15/2013	<b>HYDRA POOLS</b>	
	VOLUME: 6799895.630 Inch <sup>3</sup>		DETAILED BY: <b>BUMPHREY</b>	DETAILED DATE: 1/5/2018		
	COLOR: NA		LAST REVISED BY: <b>bumphrey</b>	LAST REVISED DATE: 1/5/2018	TITLE: LAYOUT, 20' X 43'11", LAZY L, RIGHT, 2' RADIUS, 8" DEEP, HS110N, LIGHT, 2-1084, 3-INLET, 600 SERIES	
	HEAT TREAT: NA		MATERIAL: Material <not specified>			
FINISH: NA			PART NUMBER: <b>00017116</b>	SCALE: 1:128	SIZE: <b>A</b>	
TEXTURE: NA				SHEET: 2 OF 4		



ENGINEERING DRAWING NUMBER: <b>00017116</b>	WEIGHT: 360529.1 lbs	<b>UNLESS OTHERWISE SPECIFIED</b> DIMENSIONS ARE IN INCHES TOLERANCES DECIMALS: X ± .1 XX ± .01 XXX ± .001 XXXX ± .0005  ANGULAR: X ± 0.5 THIRD ANGLE PROJECTION 	DESIGNED BY: BUMPHREY	CREATION DATE: 3/15/2013	<b>HYDRA POOLS</b>	
	VOLUME: Inch <sup>3</sup>		DETAILED BY: BUMPHREY	DETAILED DATE: 1/5/2018		
	COLOR:		LAST REVISED BY: bumphrey	LAST REVISED DATE: 1/5/2018		
	HEAT TREAT:		MATERIAL:		TITLE: LAYOUT, 20' X 43'11", LAZY L, RIGHT, 2' RADIUS, 8" DEEP, HS110N, LIGHT, 2-1084, 3-INLET, 600 SERIES	
	FINISH:				PART NUMBER:	
TEXTURE:			<b>00017116</b>		SCALE: 1:128 SHEET: 3 OF 4	SIZE: <b>A</b>



ENGINEERING DRAWING NUMBER: <b>00017116</b>	WEIGHT: 360529.1 lbs	<b>UNLESS OTHERWISE SPECIFIED</b> DIMENSIONS ARE IN INCHES TOLERANCES DECIMALS: X ± .1 XX ± .01 XXX ± .001 XXXX ± .0005  ANGULAR: X ± 0.5 THIRD ANGLE PROJECTION 	DESIGNED BY: BUMPHREY	CREATION DATE: 3/15/2013	HYDRA POOLS
	VOLUME: Inch <sup>3</sup>		DETAILED BY: BUMPHREY	DETAILED DATE: 1/5/2018	
	COLOR:		LAST REVISED BY: bumphrey	LAST REVISED DATE: 1/5/2018	TITLE: LAYOUT, 20' X 43'11", LAZY L, RIGHT, 2' RADIUS, 8" DEEP, HS110N, LIGHT, 2-1084, 3-INLET, 600 SERIES
	HEAT TREAT:		MATERIAL:		
	FINISH:		PART NUMBER:		
TEXTURE:	00017116		SCALE: 1:128 SHEET: 4 OF 4	A	