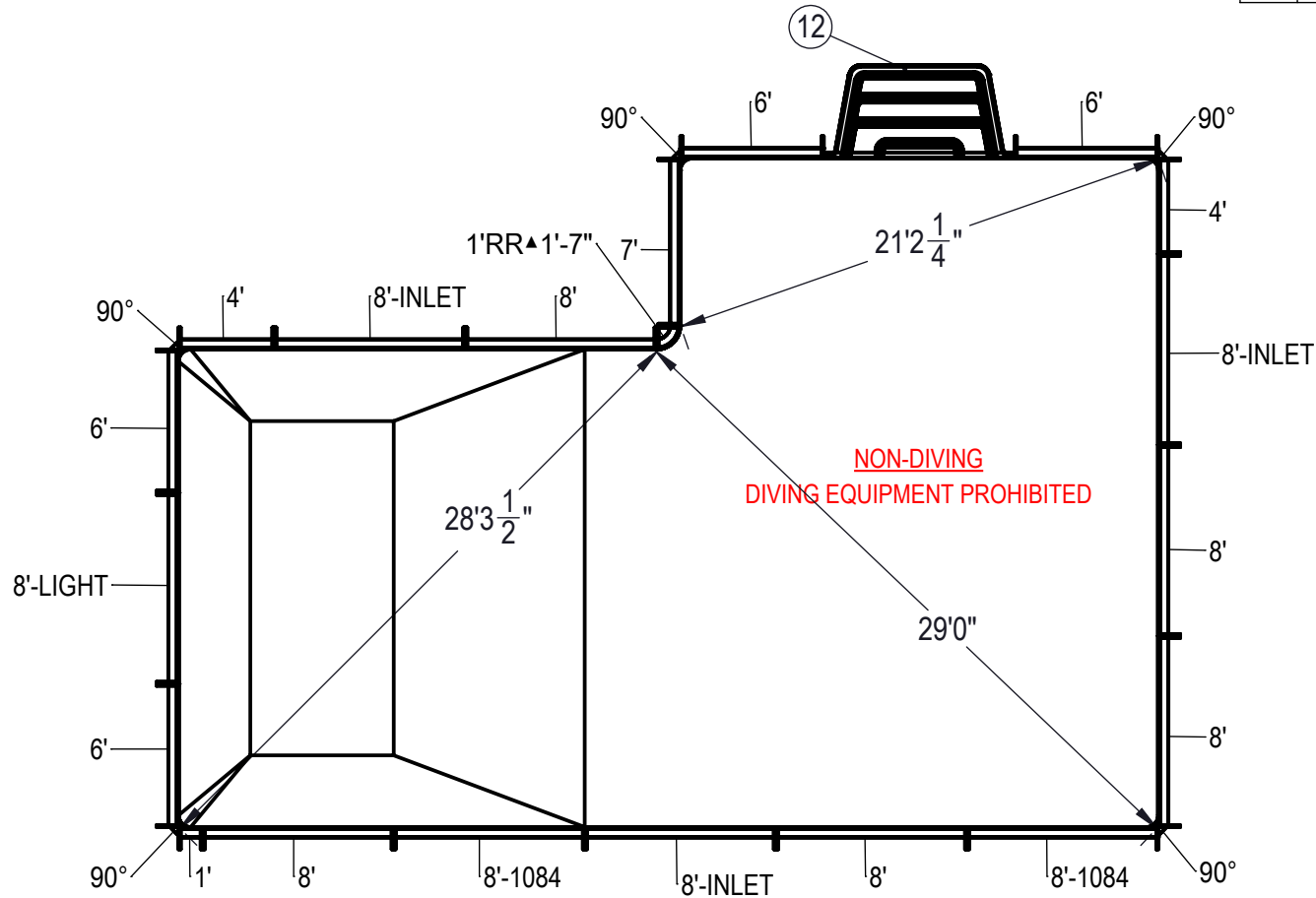


REVISION HISTORY				
REV.	DESCRIPTION	DATE	ECO	BY



**NON-DIVING
DIVING EQUIPMENT PROHIBITED**

NOTES:

- THESE ARE FINISHED DIMENSIONS READY FOR THE LINER.
- DIMENSIONS ARE FROM INSIDE POOL PANELS.
- ROPE AND FLOAT ASSEMBLY SHOULD BE INSTALLED IN ACCORDANCE WITH CURRENT ANSI/ASPS/ICC REGULATIONS
- HYDRA LINER TRACK FOR STEPS IS INSTALLED WITH THE BARB FACING THE RISER WALL ON THE STEP.

EXCAVATION NOTES:

- ROUGH EXCAVATION SHOULD BE 2" DEEPER IN EACH INSTANCE.
- SOIL TO HAVE MINIMUM BEARING CAPACITY OF 1500 PSF.
- LOCATE TOP OF POOL AT LEAST 6" ABOVE THE SURROUNDING LAND ELEVATION.
- SEE "OVER DIG DETAIL" FOR EXCAVATION AROUND POOL.
- FILL VOIDS UNDER BASE OF PANELS AND TAMP WELL.
- BACK FILL WITH NON-EXPANSIVE MATERIAL.
- FOLLOW ALL CURRENT ANSI / APSP / ICC GUIDELINES FOR RESIDENTIAL POOLS

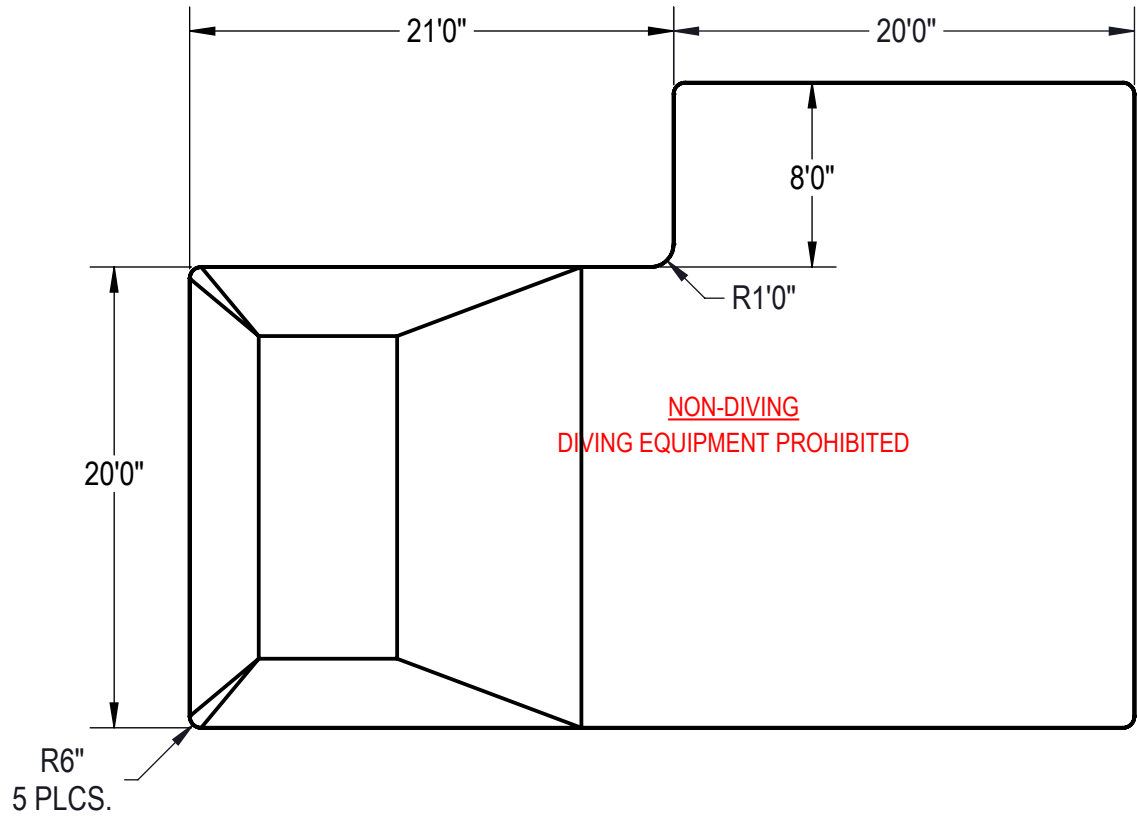
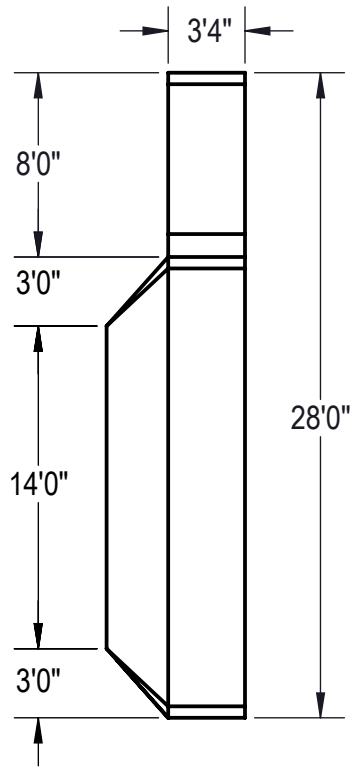
IMPORTANT NOTES:

THIS DOCUMENT IS FOR ILLUSTRATIVE PURPOSES ONLY. THE DEALER OR CONTRACTOR WHO SELLS OR INSTALLS YOUR POOL IS AN INDEPENDENT CONTRACTOR AND IS NOT AN AGENT OF THE MANUFACTURER. THE CONSTRUCTION METHODS ILLUSTRATED HERE ARE SUGGESTIONS AND APPLY ONLY TO NORMAL GROUND CONDITIONS. THERE MAY BE ADDITIONAL PRECAUTIONS AND/OR METHODS OF CONSTRUCTION. PROPER INSTALLATION IS THE RESPONSIBILITY OF THE DEALER/BUILDER/CONTRACTOR.

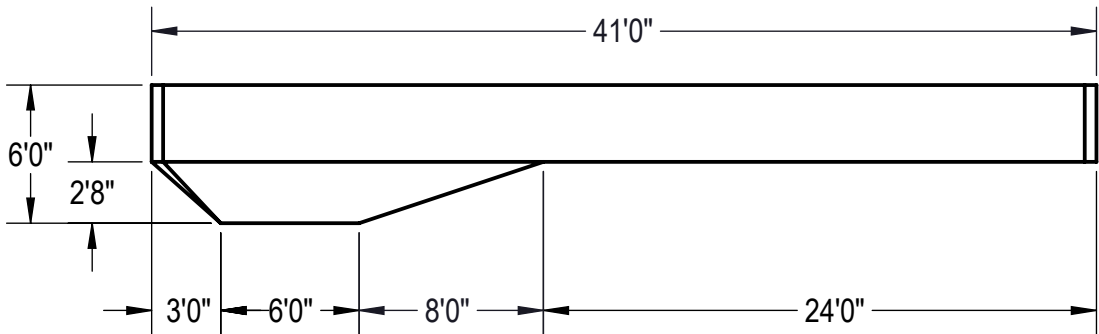
ITEM	FILE NAME	DESCRIPTION	CUSTOMER DRAWING #	VENDOR PART #	QTY.
1	BOLT, PACK	BOLT, FLANGE, 3/8-16 X 1", PACK (50)	HPS1916	HPS1916	6
2	SBRACE	BRACE, FOLD OVER WITH TURNBUCKLE, STEEL, HPSFOB	HPSFOB	HPSFOB	26
3	PANEL, STRAIGHT	PANEL, 1' LONG, 600 SERIES	HPSPD101P	00000621	1
4	PANEL, RR	PANEL, 1' REVERSE RADIUS, 90° ANGLE, 1'-7" LONG, 600 SERIES	HPSCRR2	00002221	1
5	PANEL, STRAIGHT	PANEL, 4' LONG, 600 SERIES	HPSPD104P	00000274	2
6	PANEL, STRAIGHT	PANEL, 6' LONG, 600 SERIES	HPSPD106P	00000676	4
7	PANEL, STRAIGHT	PANEL, 7' LONG, 600 SERIES	HPSCS8	0010126	1
8	PANEL, STRAIGHT	PANEL, 8' LONG, 1084, 600 SERIES	HPSPD10884	00002006	2
9	PANEL, STRAIGHT	PANEL, 8' LONG, 600 SERIES	HPSPD108P	00000687	5
10	PANEL, STRAIGHT	PANEL, 8' LONG, INLET, 600 SERIES	HPSPD108I	00000699	3
11	PANEL, STRAIGHT	PANEL, 8' LONG, LIGHT, 600 SERIES	HPSPD108L	00000701	1
12	HS110N	STEP, 8", TWIN SEAT, 4 TREAD	HS110N	HS110N	1
13	PANEL, WEDGE	WEDGE, 2 1/2" X 2 1/2" X 90°-600-ASSEMBLY	HPSPD6CA	00005721	5

ENGINEERING DRAWING NUMBER: 00017365	WEIGHT:	UNLESS OTHERWISE SPECIFIED DIMENSIONS ARE IN INCHES TOLERANCES DECIMALS: X ± .1 XX ± .01 XXX ± .001 XXXX ± .0005 ANGULAR: X ± 0.5 THIRD ANGLE PROJECTION	DESIGNED BY:	BUMPHREY	CREATION DATE:	6/27/2013
	lbs		DETAILED BY:	RSANVICENTE	DETAILED DATE:	1/24/2018
	VOLUME:		LAST REVISED BY:	hyeng	LAST REVISED DATE:	1/24/2018
	Inch³		MATERIAL:			
	COLOR:					
	NA					
	HEAT TREAT:					
	NA					
	FINISH:					
	NA					
TEXTURE:						
NA						

HYDRA POOLS	
TITLE: LAYOUT, 20' X 41' X 28', TRUE L, RIGHT, 6" RADIUS, 6" DEEP, HS110N, LIGHT, 3- INLET, 2- 1084, 600 SERIES	
PART NUMBER:	00017365
SCALE:	1:192
SHEET:	1 OF 3
SIZE:	A



Area: 979.95ft ^2
Perimeter: 136.50ft
Volume = 28444 US gallons



NOTES:

1. THESE ARE FINISHED DIMENSIONS READY FOR THE LINER.
2. DIMENSIONS ARE FROM INSIDE POOL PANELS.
3. ROPE AND FLOAT ASSEMBLY SHOULD BE INSTALLED IN ACCORDANCE WITH CURRENT ANSI/ASPS/ICC REGULATIONS
4. HYDRA LINER TRACK FOR STEPS IS INSTALLED WITH THE BARB FACING THE RISER WALL ON THE STEP.

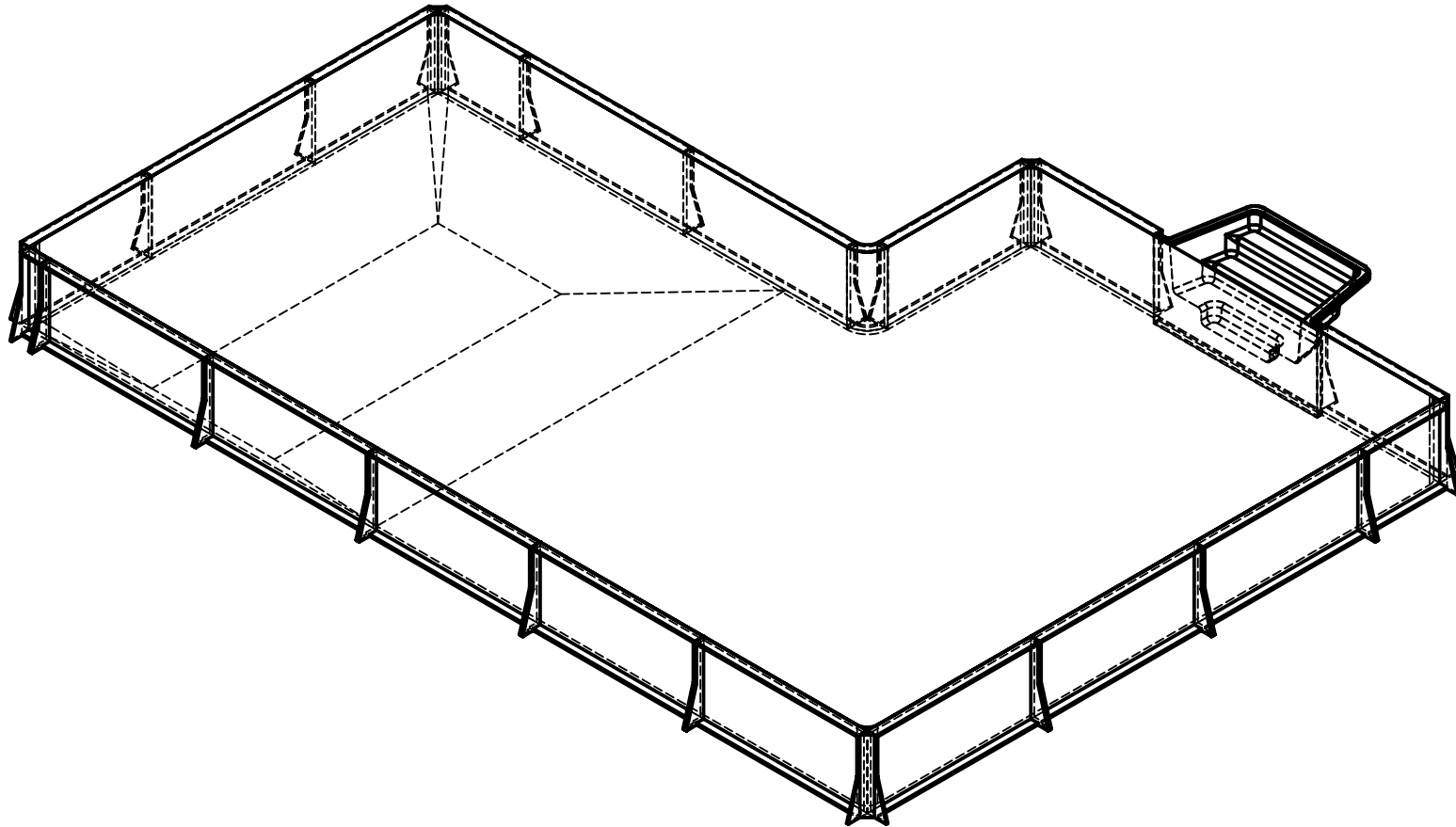
EXCAVATION NOTES:


5. ROUGH EXCAVATION SHOULD BE 2" DEEPER IN EACH INSTANCE.
6. SOIL TO HAVE MINIMUM BEARING CAPACITY OF 1500 PSF.
7. LOCATE TOP OF POOL AT LEAST 6" ABOVE THE SURROUNDING LAND ELEVATION.
8. SEE "OVER DIG DETAIL" FOR EXCAVATION AROUND POOL.
9. FILL VOIDS UNDER BASE OF PANELS AND TAMP WELL.
10. BACK FILL WITH NON-EXPANSIVE MATERIAL.
11. FOLLOW ALL CURRENT ANSI / APSP / ICC GUIDELINES FOR RESIDENTIAL POOLS

IMPORTANT NOTES:

THIS DOCUMENT IS FOR ILLUSTRATIVE PURPOSES ONLY. THE DEALER OR CONTRACTOR WHO SELLS OR INSTALLS YOUR POOL IS AN INDEPENDENT CONTRACTOR AND IS NOT AN AGENT OF THE MANUFACTURER. THE CONSTRUCTION METHODS ILLUSTRATED HERE ARE SUGGESTIONS AND APPLY ONLY TO NORMAL GROUND CONDITIONS. THERE MAY BE ADDITIONAL PRECAUTIONS AND/OR METHODS OF CONSTRUCTION. PROPER INSTALLATION IS THE RESPONSIBILITY OF THE DEALER/BUILDER/CONTRACTOR.

ENGINEERING DRAWING NUMBER: 00017365	WEIGHT:	UNLESS OTHERWISE SPECIFIED DIMENSIONS ARE IN INCHES TOLERANCES DECIMALS: X ± .1 XX ± .01 XXX ± .001 XXXX ± .0005 ANGULAR: X ± 0.5 THIRD ANGLE PROJECTION	DESIGNED BY:	CREATION DATE:	HYDRA POOLS TITLE: LAYOUT, 20' X 41' X 28', TRUE L, RIGHT, 6" RADIUS, 6" DEEP, HS110N, LIGHT, 3- INLET, 2- 1084, 600 SERIES
	VOLUME: Inch ³		BUMPHREY	6/27/2013	
	COLOR:		DETAILED BY:	1/24/2018	
	HEAT TREAT:		LAST REVISED BY:	1/24/2018	
	FINISH:		MATERIAL:		
TEXTURE:					PART NUMBER: 00017365
					SCALE: 1:192 SHEET: 2 OF 3
					SIZE: A



ENGINEERING DRAWING NUMBER: 00017365	WEIGHT:	UNLESS OTHERWISE SPECIFIED DIMENSIONS ARE IN INCHES TOLERANCES DECIMALS: X ± .1 XX ± .01 XXX ± .001 XXXX ± .0005 ANGULAR: X ± 0.5 THIRD ANGLE PROJECTION 	DESIGNED BY:	CREATION DATE:	HYDRA POOLS TITLE: LAYOUT, 20' X 41' X 28', TRUE L, RIGHT, 6" RADIUS, 6" DEEP, HS110N, LIGHT, 3- INLET, 2- 1084, 600 SERIES
	lbs		BUMPHREY	6/27/2013	
	VOLUME:		DETAILED BY:	DETAILED DATE:	
	Inch ³		RSANVICENTE	1/24/2018	
	COLOR:		LAST REVISED BY:	LAST REVISED DATE:	
	NA		hyeng	1/24/2018	
HEAT TREAT:	MATERIAL:		PART NUMBER:	SCALE:	SIZE:
NA			00017365	1:192	A
FINISH:				SHEET:	
NA				3 OF 3	
TEXTURE:					
NA					