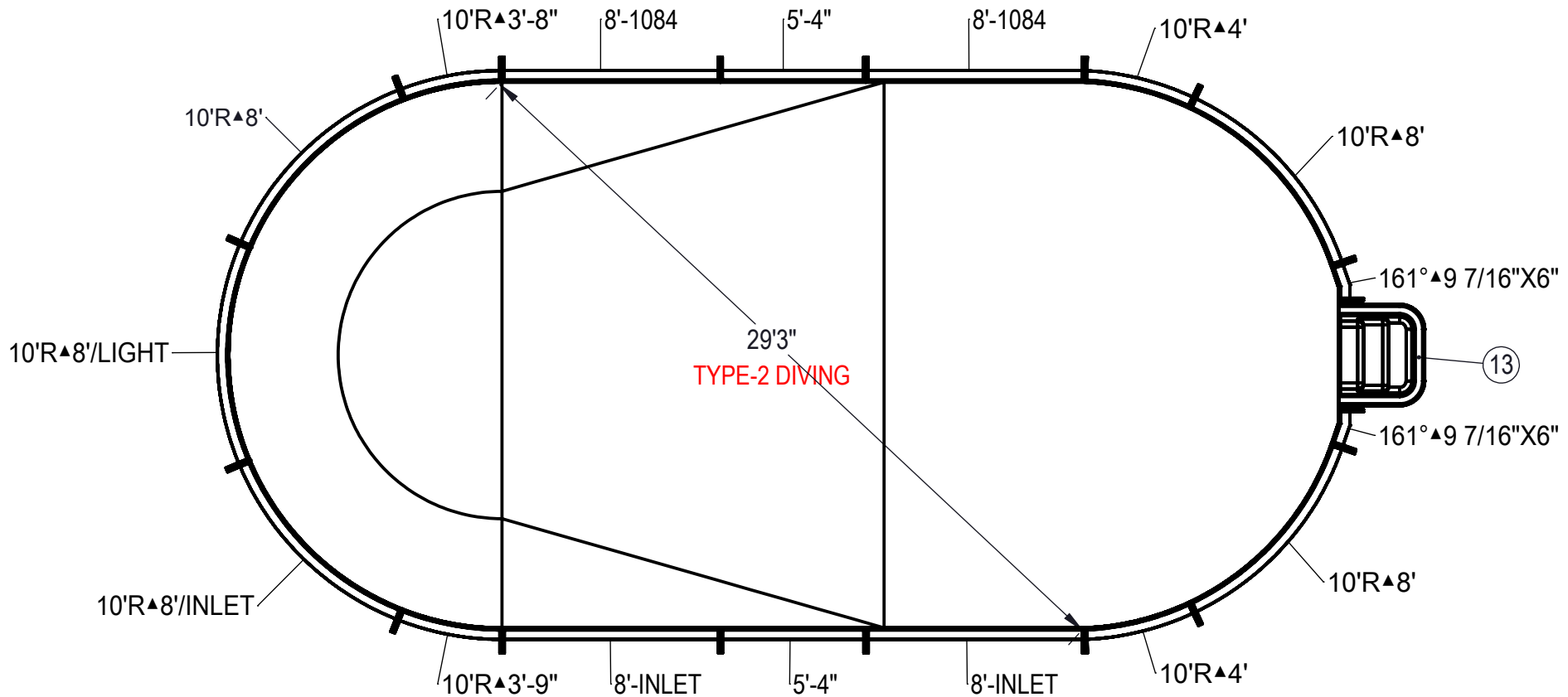


REVISION HISTORY				
REV.	DESCRIPTION	DATE	ECO	BY



**NOTES:**

- THESE ARE FINISHED DIMENSIONS READY FOR THE LINER.
- DIMENSIONS ARE FROM INSIDE POOL PANELS.
- ROPE AND FLOAT ASSEMBLY SHOULD BE INSTALLED IN ACCORDANCE WITH CURRENT ANSI/ASPS/ICC REGULATIONS
- HYDRA LINER TRACK FOR STEPS IS INSTALLED WITH THE BARB FACING THE RISER WALL ON THE STEP.

**EXCAVATION NOTES:**

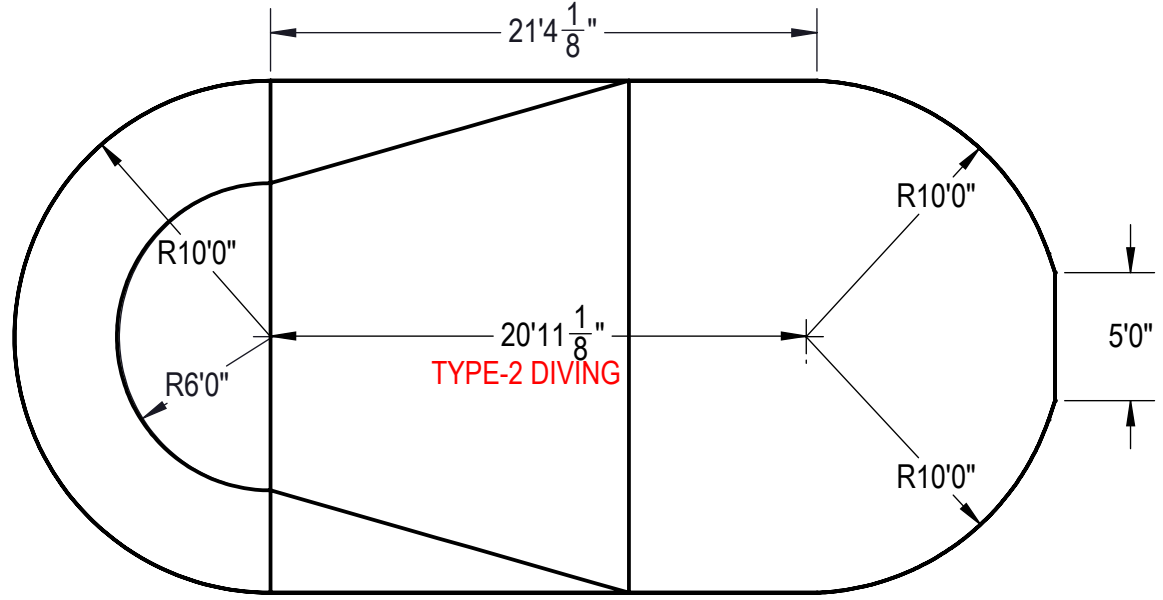
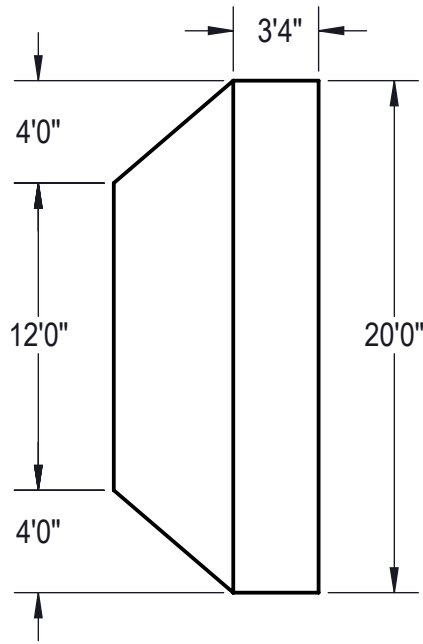
- ROUGH EXCAVATION SHOULD BE 2" DEEPER IN EACH INSTANCE.
- SOIL TO HAVE MINIMUM BEARING CAPACITY OF 1500 PSF.
- LOCATE TOP OF POOL AT LEAST 6" ABOVE THE SURROUNDING LAND ELEVATION.
- SEE "OVER DIG DETAIL" FOR EXCAVATION AROUND POOL.
- FILL VOIDS UNDER BASE OF PANELS AND TAMP WELL.
- BACK FILL WITH NON-EXPANSIVE MATERIAL.
- FOLLOW ALL CURRENT ANSI / APSP / ICC GUIDELINES FOR RESIDENTIAL POOLS

**IMPORTANT NOTES:**

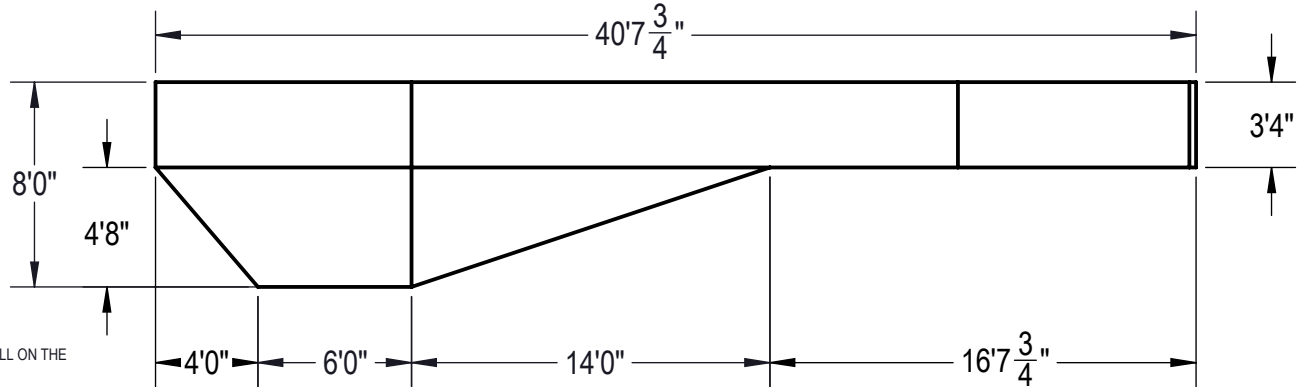
THIS DOCUMENT IS FOR ILLUSTRATIVE PURPOSES ONLY. THE DEALER OR CONTRACTOR WHO SELLS OR INSTALLS YOUR POOL IS AN INDEPENDENT CONTRACTOR AND IS NOT AN AGENT OF THE MANUFACTURER. THE CONSTRUCTION METHODS ILLUSTRATED HERE ARE SUGGESTIONS AND APPLY ONLY TO NORMAL GROUND CONDITIONS. THERE MAY BE ADDITIONAL PRECAUTIONS AND/OR METHODS OF CONSTRUCTION. PROPER INSTALLATION IS THE RESPONSIBILITY OF THE DEALER/BUILDER/CONTRACTOR.

ITEM	FILE NAME	DESCRIPTION	CUSTOMER DRAWING #	VENDOR PART #	QTY.
1	BOLT, PACK	BOLT, FLANGE, 3/8-16 X 1", PACK (50)	HPS1916	HPS1916	5
2	SBRACE	BRACE, ADJUSTABLE, DEAD MAN, STEEL, HPSTBBRCE	HPSTBBRCE	HPSTBBRCE	18
3	PANEL, ANGLE	PANEL, ANGLE, 9 7/16" X 6" X 161°, 600 SERIES	HPSC2	00007304	2
4	PANEL, RADIUS	PANEL, 10' RADIUS, 3'-8" LONG, 600 SERIES	HPSCR4	00008142	1
5	PANEL, RADIUS	PANEL, 10' RADIUS, 3'-9" LONG, 600 SERIES	HPSCR4	00011257	1
6	PANEL, RADIUS	PANEL, 10' RADIUS, 4' LONG, 600 SERIES	HPSD10R4	00000705	2
7	PANEL, RADIUS	PANEL, 10' RADIUS, 8' LONG, 600 SERIES	HPSD10R8	00000999	3
8	PANEL, RADIUS	PANEL, 10' RADIUS, 8' LONG, INLET, 600 SERIES	HPS10R8I	00002082	1
9	PANEL, RADIUS	PANEL, 10' RADIUS, 8' LONG, LIGHT, 600 SERIES	HPSD10R8L	00001014	1
10	PANEL, STRAIGHT	PANEL, 5'-4" LONG, 600 SERIES	HPSC36	00005638	2
11	PANEL, STRAIGHT	PANEL, 8' LONG, 1084, 600 SERIES	HPSD10884	00002006	2
12	PANEL, STRAIGHT	PANEL, 8' LONG, INLET, 600 SERIES	HPSD108I	00000699	2
13	HS102N	STEP, 4" STRAIGHT, 3 TREAD	HS102N	HS102N	1

ENGINEERING DRAWING NUMBER: <b>00017210</b>	WEIGHT: 329679.4 lbs	<b>UNLESS OTHERWISE SPECIFIED</b> DIMENSIONS ARE IN INCHES TOLERANCES DECIMALS: X ± .1 XX ± .01 XXX ± .001 XXXX ± .0005  ANGULAR: X ± 0.5 THIRD ANGLE PROJECTION	DESIGNED BY: RCOLBOCH	CREATION DATE: 7/15/2013	<b>HYDRA POOLS</b>	
	VOLUME: Inch <sup>3</sup>		DETAILED BY: RSANVICENTE	DETAILED DATE: 1/12/2018		
	COLOR:		LAST REVISED BY: hyeng	LAST REVISED DATE: 1/12/2018		
	HEAT TREAT:		MATERIAL:	TITLE: LAYOUT, 20' X 40'-7" OVAL, 8' DEEP, HS102N, 2- 1084, 3- INLET, 600 SERIES		
FINISH:				PART NUMBER: <b>00017210</b>	SCALE: 1:128	<b>A</b>
TEXTURE:				SHEET: 1 OF 4		



**Area: 732.03ft ^2**  
**Perimeter: 104.67ft**  
**Volume = 26071 US gallons**



**NOTES:**

1. THESE ARE FINISHED DIMENSIONS READY FOR THE LINER.
2. DIMENSIONS ARE FROM INSIDE POOL PANELS.
3. ROPE AND FLOAT ASSEMBLY SHOULD BE INSTALLED IN ACCORDANCE WITH CURRENT ANSI/ASPS/ICC REGULATIONS
4. HYDRA LINER TRACK FOR STEPS IS INSTALLED WITH THE BARB FACING THE RISER WALL ON THE STEP.

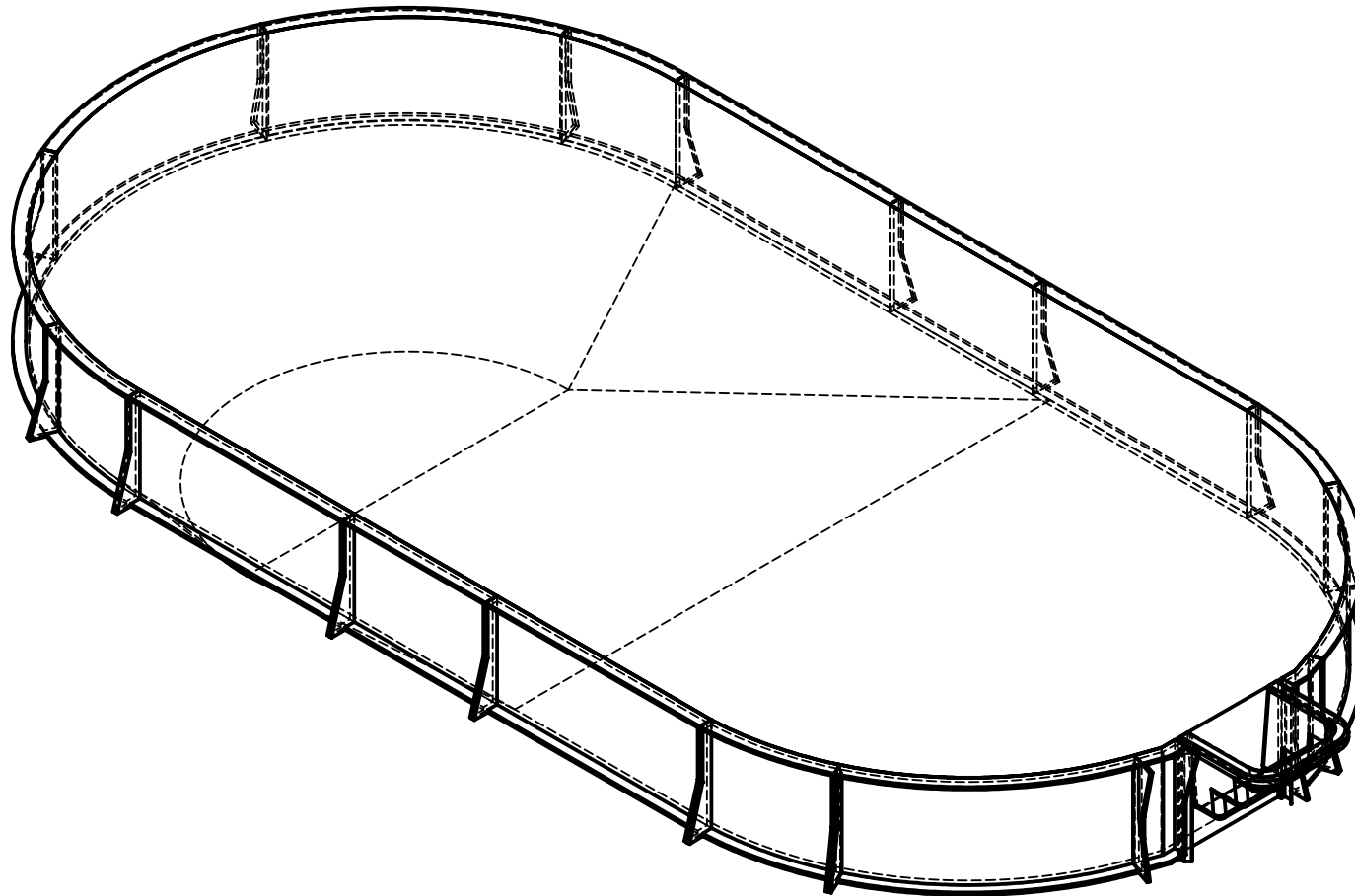
**EXCAVATION NOTES:**


5. ROUGH EXCAVATION SHOULD BE 2" DEEPER IN EACH INSTANCE.
6. SOIL TO HAVE MINIMUM BEARING CAPACITY OF 1500 PSF.
7. LOCATE TOP OF POOL AT LEAST 6" ABOVE THE SURROUNDING LAND ELEVATION.
8. SEE "OVER DIG DETAIL" FOR EXCAVATION AROUND POOL.
9. FILL VOIDS UNDER BASE OF PANELS AND TAMP WELL.
10. BACK FILL WITH NON-EXPANSIVE MATERIAL.
11. FOLLOW ALL CURRENT ANSI / APSP / ICC GUIDELINES FOR RESIDENTIAL POOLS

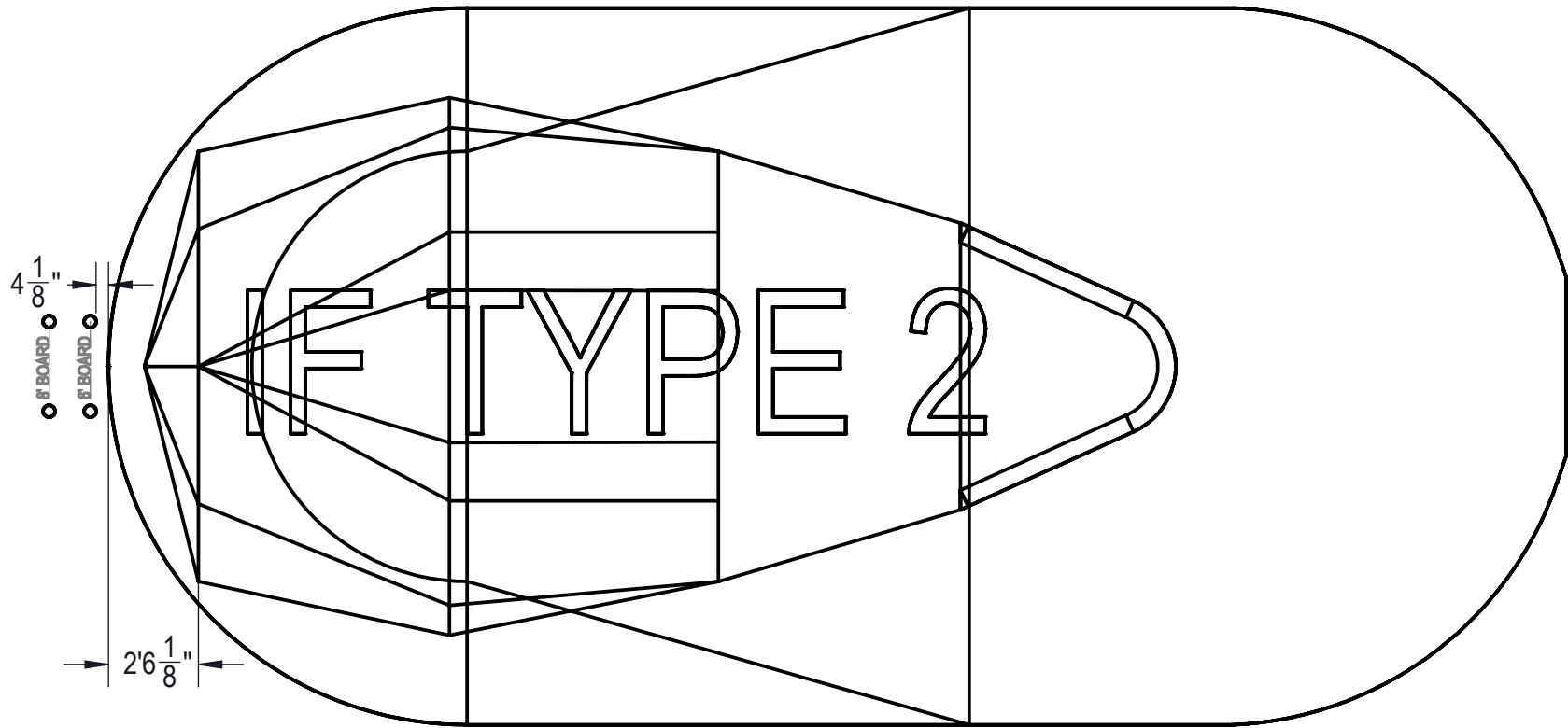
**IMPORTANT NOTES:**


THIS DOCUMENT IS FOR ILLUSTRATIVE PURPOSES ONLY. THE DEALER OR CONTRACTOR WHO SELLS OR INSTALLS YOUR POOL IS AN INDEPENDENT CONTRACTOR AND IS NOT AN AGENT OF THE MANUFACTURER. THE CONSTRUCTION METHODS ILLUSTRATED HERE ARE SUGGESTIONS AND APPLY ONLY TO NORMAL GROUND CONDITIONS. THERE MAY BE ADDITIONAL PRECAUTIONS AND/OR METHODS OF CONSTRUCTION. PROPER INSTALLATION IS THE RESPONSIBILITY OF THE DEALER/BUILDER/CONTRACTOR.

ENGINEERING DRAWING NUMBER: <b>00017210</b>	WEIGHT:	<b>UNLESS OTHERWISE SPECIFIED</b> DIMENSIONS ARE IN INCHES TOLERANCES DECIMALS: X ± .1 XX ± .01 XXX ± .001 XXXX ± .0005  ANGULAR: X ± 0.5 THIRD ANGLE PROJECTION	DESIGNED BY:	CREATION DATE:	<b>HYDRA POOLS</b>  TITLE: LAYOUT, 20' X 40'-7" OVAL, 8' DEEP, HS102N, 2- 1084, 3-INLET, 600 SERIES  PART NUMBER: <span style="font-size: 24pt; font-weight: bold;">00017210</span>
	lbs		RCOLBOCH	7/15/2013	
	VOLUME:		Detailed by:	DETAILED DATE:	
	Inch <sup>3</sup>		RSANVICENTE	1/12/2018	
	COLOR:		LAST REVISED BY:	LAST REVISED DATE:	
NA	hyeng	1/12/2018	SCALE:	SIZE:	
HEAT TREAT:	MATERIAL:		1:128	A	
NA			2 OF 4		
FINISH:					
NA					
TEXTURE:					
NA					



ENGINEERING DRAWING NUMBER: <b>00017210</b>	WEIGHT: 329679.4 lbs	<b>UNLESS OTHERWISE SPECIFIED</b> DIMENSIONS ARE IN INCHES TOLERANCES DECIMALS: X ± .1 XX ± .01 XXX ± .001 XXXX ± .0005  ANGULAR: X ± 0.5 THIRD ANGLE PROJECTION 	DESIGNED BY: RCOLBOCH	CREATION DATE: 7/15/2013	<b>HYDRA POOLS</b>  TITLE: LAYOUT, 20' X 40'-7" OVAL, 8' DEEP, HS102N, 2- 1084, 3- INLET, 600 SERIES  PART NUMBER: <div style="font-size: 2em; font-weight: bold; text-align: center;">00017210</div>
	VOLUME: Inch³		DETAILED BY: RSANVICENTE	DETAILED DATE: 1/12/2018	
	COLOR:		LAST REVISED BY: hyeng	LAST REVISED DATE: 1/12/2018	
	HEAT TREAT:		MATERIAL:		
	FINISH:				
	TEXTURE:				
			SCALE: 1:128	SIZE: A	
			SHEET: 3 OF 4		



ENGINEERING DRAWING NUMBER: <b>00017210</b>	WEIGHT: 329679.4 lbs	<b>UNLESS OTHERWISE SPECIFIED</b> DIMENSIONS ARE IN INCHES TOLERANCES DECIMALS: X ± .1 XX ± .01 XXX ± .001 XXXX ± .0005  ANGULAR: X ± 0.5 THIRD ANGLE PROJECTION 	DESIGNED BY: RCOLBOCH	CREATION DATE: 7/15/2013	HYDRA POOLS  TITLE: LAYOUT, 20' X 40'-7" OVAL, 8" DEEP, HS102N, 2- 1084, 3- INLET, 600 SERIES		
	VOLUME: Inch³		DETAILED BY: RSANVICENTE	DETAILED DATE: 1/12/2018			
	COLOR:		LAST REVISED BY: hyeng	LAST REVISED DATE: 1/12/2018			
	HEAT TREAT:		MATERIAL:		PART NUMBER:	SCALE: 1:128	SIZE: A
	FINISH:				<b>00017210</b>	SHEET: 4 OF 4	
	TEXTURE:						