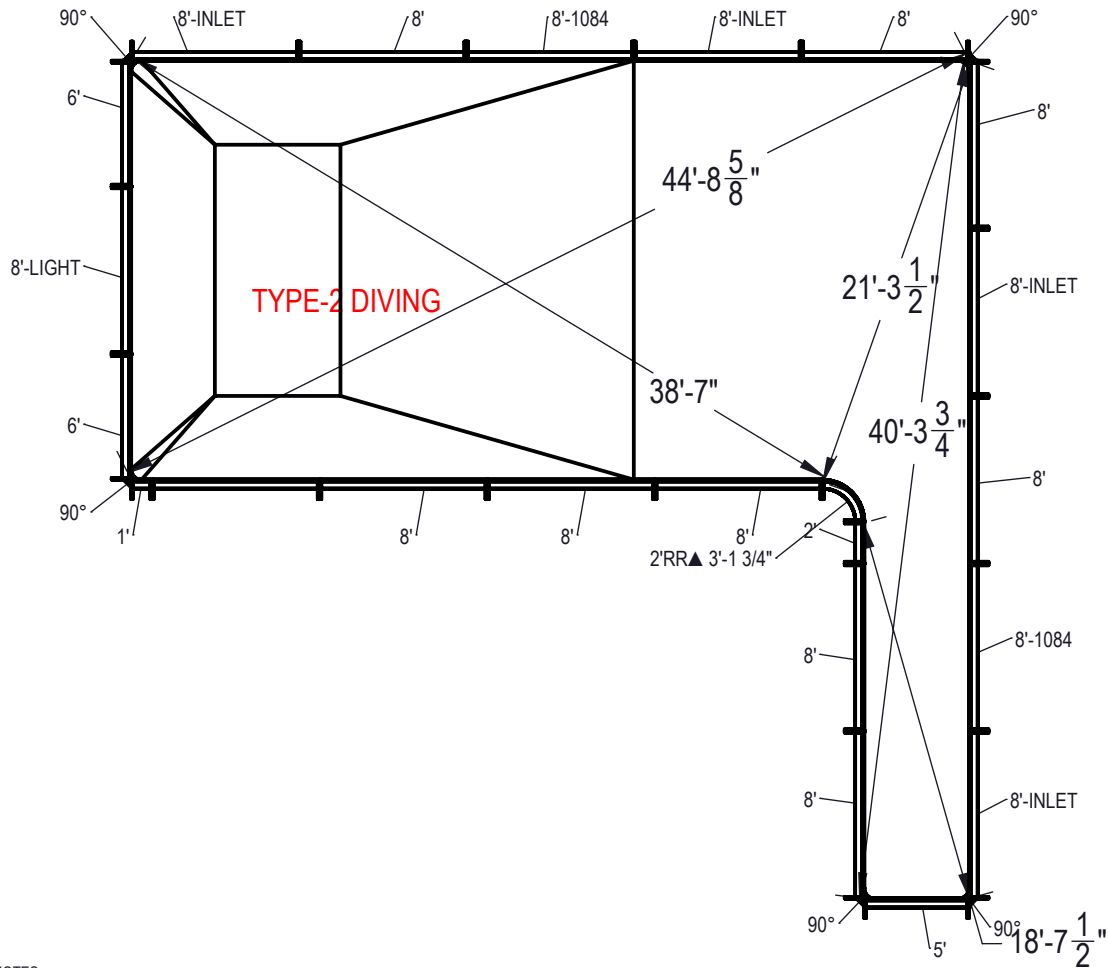


REVISION HISTORY				
REV.	DESCRIPTION	DATE	ECO	BY



NOTES:

- THESE ARE FINISHED DIMENSIONS READY FOR THE LINER.
- DIMENSIONS ARE FROM INSIDE POOL PANELS.
- ROPE AND FLOAT ASSEMBLY SHOULD BE INSTALLED IN ACCORDANCE WITH CURRENT ANSI/ASPS/ICC REGULATIONS
- HYDRA LINER TRACK FOR STEPS IS INSTALLED WITH THE BARB FACING THE RISER WALL ON THE STEP.

EXCAVATION NOTES:

- ROUGH EXCAVATION SHOULD BE 2" DEEPER IN EACH INSTANCE.
- SOIL TO HAVE MINIMUM BEARING CAPACITY OF 1500 PSF.
- LOCATE TOP OF POOL AT LEAST 6" ABOVE THE SURROUNDING LAND ELEVATION.
- SEE "OVER DIG DETAIL" FOR EXCAVATION AROUND POOL.
- FILL VOIDS UNDER BASE OF PANELS AND TAMP WELL.
- BACK FILL WITH NON-EXPANSIVE MATERIAL.
- FOLLOW ALL CURRENT ANSI / APSP / ICC GUIDELINES FOR RESIDENTIAL POOLS

IMPORTANT NOTES:

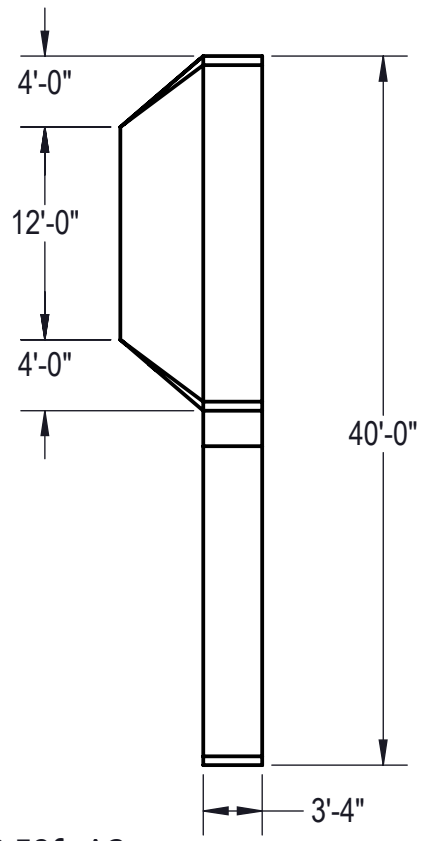
THIS DOCUMENT IS FOR ILLUSTRATIVE PURPOSES ONLY. THE DEALER OR CONTRACTOR WHO SELLS OR INSTALLS YOUR POOL IS AN INDEPENDENT CONTRACTOR AND IS NOT AN AGENT OF THE MANUFACTURER. THE CONSTRUCTION METHODS ILLUSTRATED HERE ARE SUGGESTIONS AND APPLY ONLY TO NORMAL GROUND CONDITIONS. THERE MAY BE ADDITIONAL PRECAUTIONS AND/OR METHODS OF CONSTRUCTION. PROPER INSTALLATION IS THE RESPONSIBILITY OF THE DEALER/BUILDER/CONTRACTOR.

ITEM	FILE NAME	DESCRIPTION	CUSTOMER DRAWING #	VENDOR PART #	QTY.
1	BOLT, PACK	BOLT, FLANGE, 3/8-16 X 1", PACK (50)	HPS1916	HPS1916	7
2	SBRACE	BRACE, FOLD OVER WITH TURNBUCKLE, STEEL, HPSFOB	HPSFOB	HPSFOB	28
3	PANEL, STRAIGHT	PANEL, 1' LONG, 700 SERIES	HPSE101P	00002469	1
4	PANEL, STRAIGHT	PANEL, 2' LONG, 700 SERIES	HPSE102P	00005483	1
5	PANEL, RR	PANEL, 2' REVERSE RADIUS, 3'-1 3/4" LONG, 700 SERIES	HPSE2RR	00005773	1
6	PANEL, STRAIGHT	PANEL, 5' LONG, 700 SERIES	HPSE105P	00002742	1
7	PANEL, STRAIGHT	PANEL, 6' LONG, 700 SERIES	HPSE106P	00002731	2
8	PANEL, STRAIGHT	PANEL, 8' LONG, 1084, 700 SERIES	HPSE10884	00004966	2
9	PANEL, STRAIGHT	PANEL, 8' LONG, 700 SERIES	HPSE108P	00004961	10
10	PANEL, STRAIGHT	PANEL, 8' LONG, INLET, 700 SERIES	HPSE108I	00004969	4
11	PANEL, STRAIGHT	PANEL, 8' LONG, LIGHT, 700 SERIES	HPSE108L	00004962	1
12	PANEL, WEDGE	WEDGE, 2 1/2" X 2 1/2" X 90°	HPSD6CA	00003541	5

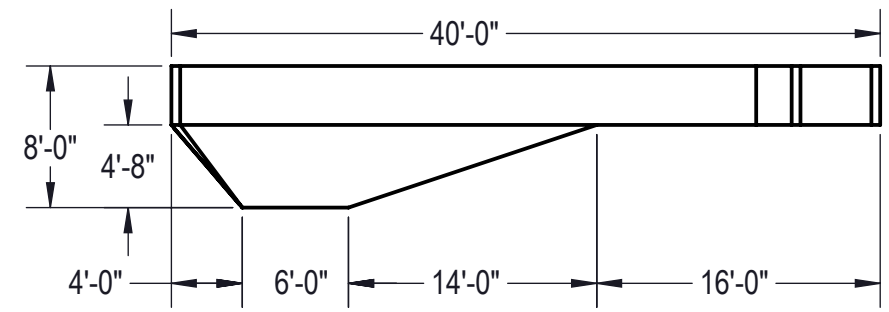
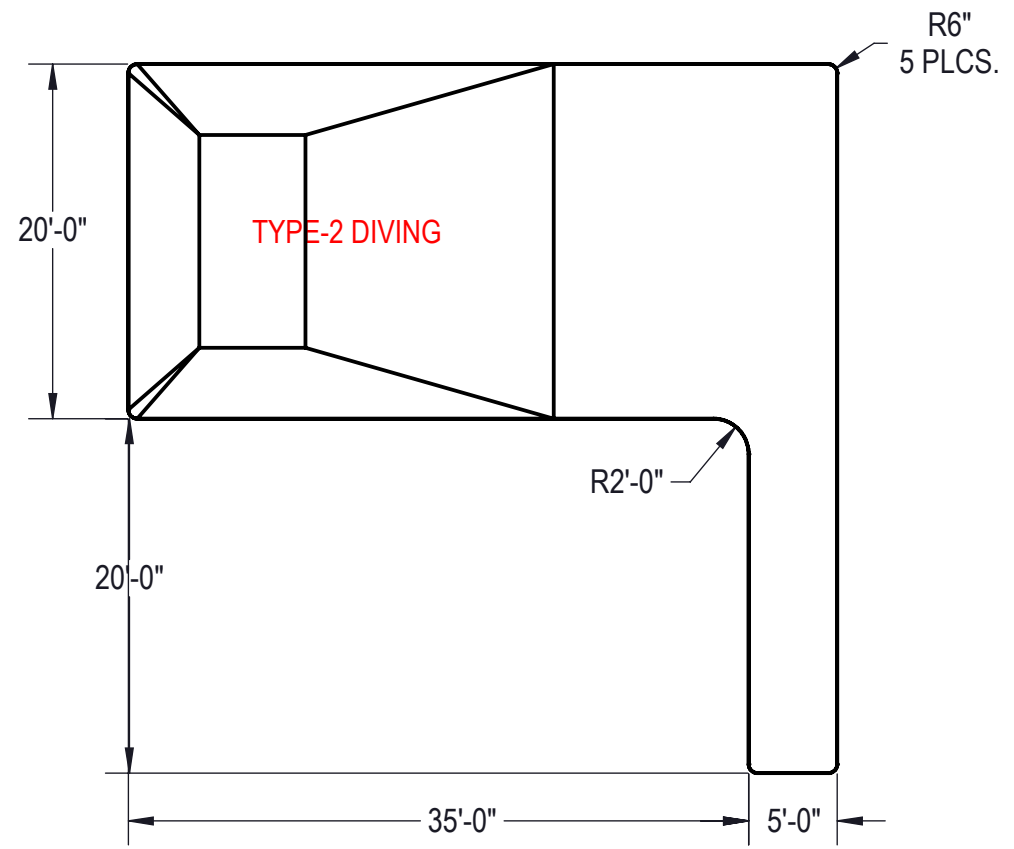
ENGINEERING DRAWING NUMBER: 00017405	WEIGHT: 384933.0 lbs	UNLESS OTHERWISE SPECIFIED DIMENSIONS ARE IN INCHES TOLERANCES DECIMALS: X ± .1 XX ± .01 XXX ± .001 XXXX ± .0005 ANGULAR: X ± 0.5 THIRD ANGLE PROJECTION
	VOLUME: Inch³	
	COLOR:	
	HEAT TREAT:	
	FINISH:	
	TEXTURE:	

DESIGNED BY: BUMPHREY	CREATION DATE: 5/6/2015
DETAILED BY: BUMPHREY	DETAILED DATE: 1/25/2018
LAST REVISED BY: bumphrey	LAST REVISED DATE: 1/25/2018
MATERIAL:	

HYDRA POOLS	
TITLE: LAYOUT, 20' X 40' X 40', TRUE L, LEFT, LAP, 6" RADIUS, 8' DEEP, HS110N, LIGHT, 2-1084, 4-INLET, 700 SERIES	
PART NUMBER: 00017405	SCALE: 1:60 SHEET: 1 OF 4 SIZE: A



Area: 900.59ft ^2
Perimeter: 158.07ft
Volume = 31252 US gallons

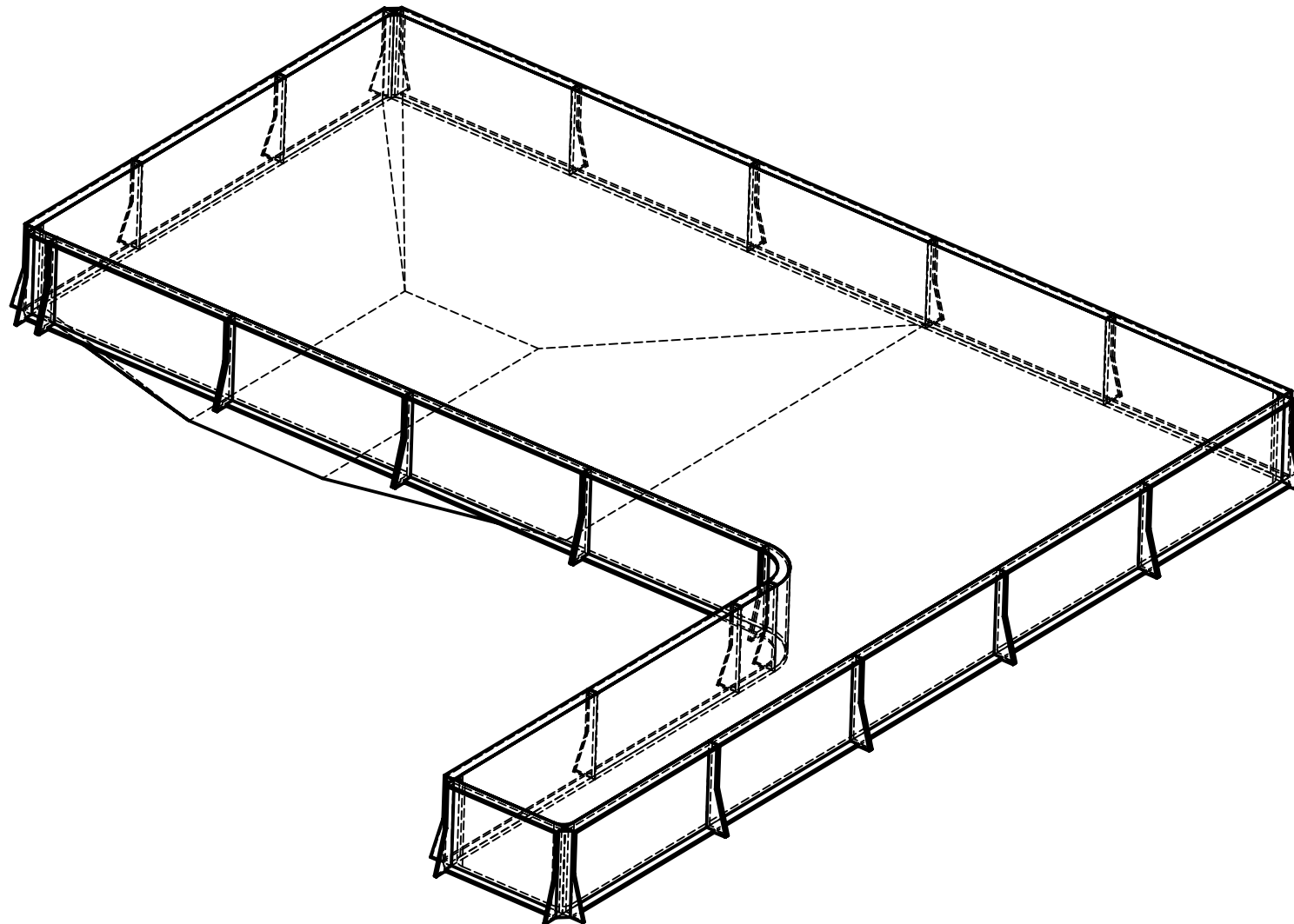



- NOTES:**
1. THESE ARE FINISHED DIMENSIONS READY FOR THE LINER.
 2. DIMENSIONS ARE FROM INSIDE POOL PANELS.
 3. ROPE AND FLOAT ASSEMBLY SHOULD BE INSTALLED IN ACCORDANCE WITH CURRENT ANSI/ASPS/ICC REGULATIONS
 4. HYDRA LINER TRACK FOR STEPS IS INSTALLED WITH THE BARB FACING THE RISER WALL ON THE STEP.

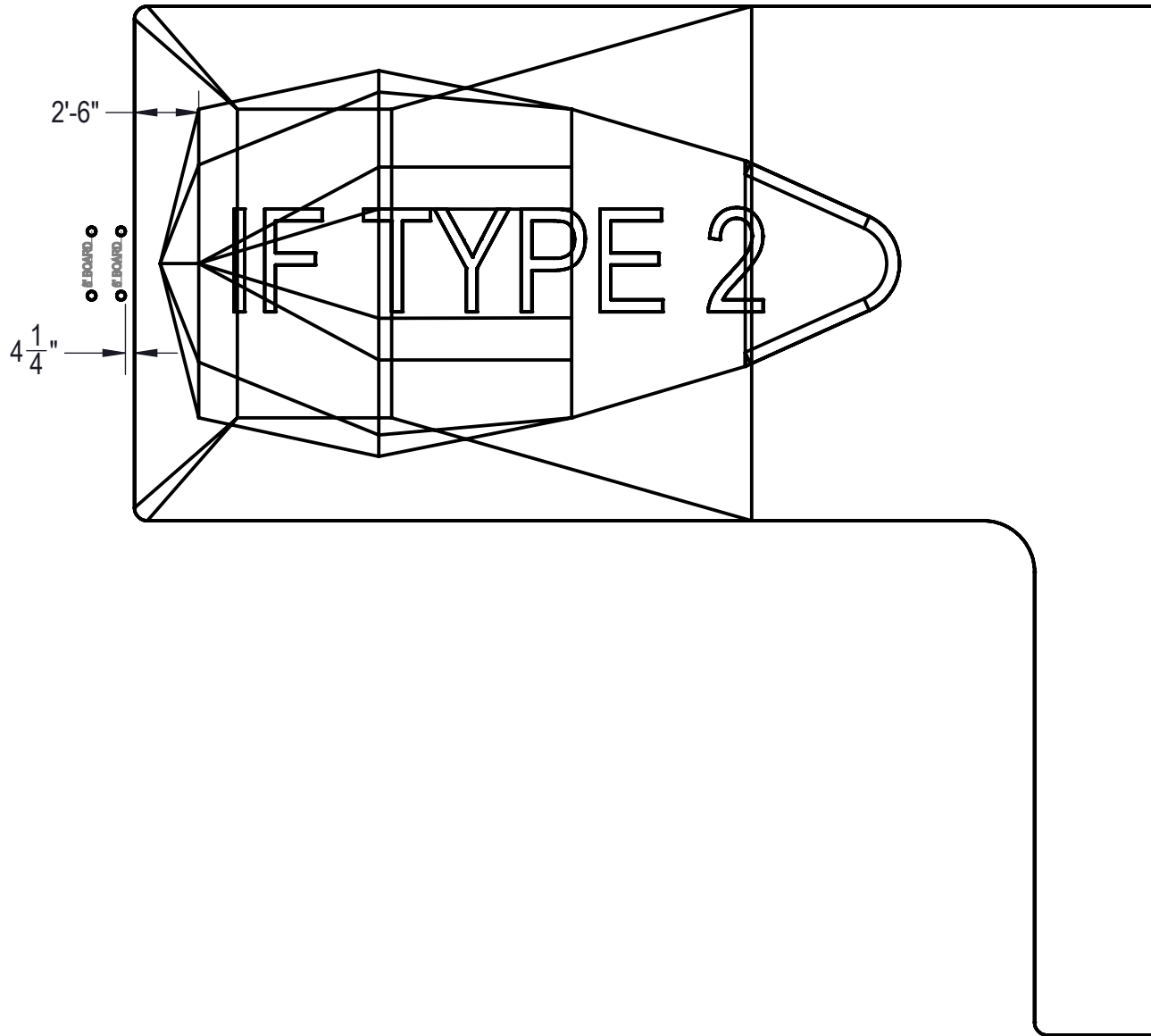
- EXCAVATION NOTES:**
5. ROUGH EXCAVATION SHOULD BE 2" DEEPER IN EACH INSTANCE.
 6. SOIL TO HAVE MINIMUM BEARING CAPACITY OF 1500 PSF.
 7. LOCATE TOP OF POOL AT LEAST 6" ABOVE THE SURROUNDING LAND ELEVATION.
 8. SEE "OVER DIG DETAIL" FOR EXCAVATION AROUND POOL.
 9. FILL VOIDS UNDER BASE OF PANELS AND TAMP WELL.
 10. BACK FILL WITH NON-EXPANSIVE MATERIAL.
 11. FOLLOW ALL CURRENT ANSI / APSP / ICC GUIDELINES FOR RESIDENTIAL POOLS

IMPORTANT NOTES:
 THIS DOCUMENT IS FOR ILLUSTRATIVE PURPOSES ONLY. THE DEALER OR CONTRACTOR WHO SELLS OR INSTALLS YOUR POOL IS AN INDEPENDENT CONTRACTOR AND IS NOT AN AGENT OF THE MANUFACTURER. THE CONSTRUCTION METHODS ILLUSTRATED HERE ARE SUGGESTIONS AND APPLY ONLY TO NORMAL GROUND CONDITIONS. THERE MAY BE ADDITIONAL PRECAUTIONS AND/OR METHODS OF CONSTRUCTION. PROPER INSTALLATION IS THE RESPONSIBILITY OF THE DEALER/BUILDER/CONTRACTOR.

ENGINEERING DRAWING NUMBER: 00017405	WEIGHT: 260811.483 lbs	UNLESS OTHERWISE SPECIFIED DIMENSIONS ARE IN INCHES TOLERANCES DECIMALS: X ± .1 XX ± .01 XXX ± .001 XXXX ± .0005 ANGULAR: X ± 0.5 THIRD ANGLE PROJECTION	DESIGNED BY: BUMPHREY	CREATION DATE: 5/5/2015	HYDRA POOLS	
	VOLUME: 7219239.030 Inch ³		DETAILED BY: BUMPHREY	DETAILED DATE: 1/25/2018		
	COLOR: NA		LAST REVISED BY: bumphrey	LAST REVISED DATE: 1/25/2018	TITLE: LAYOUT, 20' X 40' X 40', TRUE L, LEFT, LAP, 6" RADIUS, 8' DEEP, HS110N, LIGHT, 2-1084, 4-INLET, 700 SERIES	
	HEAT TREAT: NA		MATERIAL: Water	PART NUMBER: 00017405		
FINISH: NA					SHEET: 2 OF 4	
TEXTURE: NA						



ENGINEERING DRAWING NUMBER: 00017405	WEIGHT: 384933.0 lbs	UNLESS OTHERWISE SPECIFIED DIMENSIONS ARE IN INCHES TOLERANCES DECIMALS: X ± .1 XX ± .01 XXX ± .001 XXXX ± .0005 ANGULAR: X ± 0.5 THIRD ANGLE PROJECTION 	DESIGNED BY: BUMPHREY	CREATION DATE: 5/6/2015	HYDRA POOLS	
	VOLUME: Inch ³		DETAILED BY: BUMPHREY	DETAILED DATE: 1/25/2018		
	COLOR:		LAST REVISED BY: bumphrey	LAST REVISED DATE: 1/25/2018		
	HEAT TREAT:		MATERIAL:		TITLE: LAYOUT, 20' X 40' X 40', TRUE L, LEFT, LAP, 6" RADIUS, 8' DEEP, HS110N, LIGHT, 2-1084, 4-INLET, 700 SERIES	
	FINISH:				PART NUMBER: 00017405	
	TEXTURE:				SCALE: 1:60 SHEET: 3 OF 4 SIZE: A	



ENGINEERING DRAWING NUMBER: 00017405	WEIGHT:	384933.0 lbs	UNLESS OTHERWISE SPECIFIED DIMENSIONS ARE IN INCHES TOLERANCES DECIMALS: X ± .1 XX ± .01 XXX ± .001 XXXX ± .0005 ANGULAR: X ± 0.5 THIRD ANGLE PROJECTION 	DESIGNED BY:	BUMPHREY	CREATION DATE:	5/6/2015	HYDRA POOLS		
	VOLUME:	Inch ³		DETAILED BY:	BUMPHREY	DETAILED DATE:	1/25/2018			
	COLOR:			LAST REVISED BY:	bumphrey	LAST REVISED DATE:	1/25/2018		TITLE:	LAYOUT, 20' X 40' X 40', TRUE L, LEFT, LAP, 6" RADIUS, 8' DEEP, HS110N, LIGHT, 2-1084, 4-INLET, 700 SERIES
	HEAT TREAT:			MATERIAL:				PART NUMBER:	00017405	
	FINISH:							SCALE:	1:60	A
	TEXTURE:							SHEET:	4 OF 4	