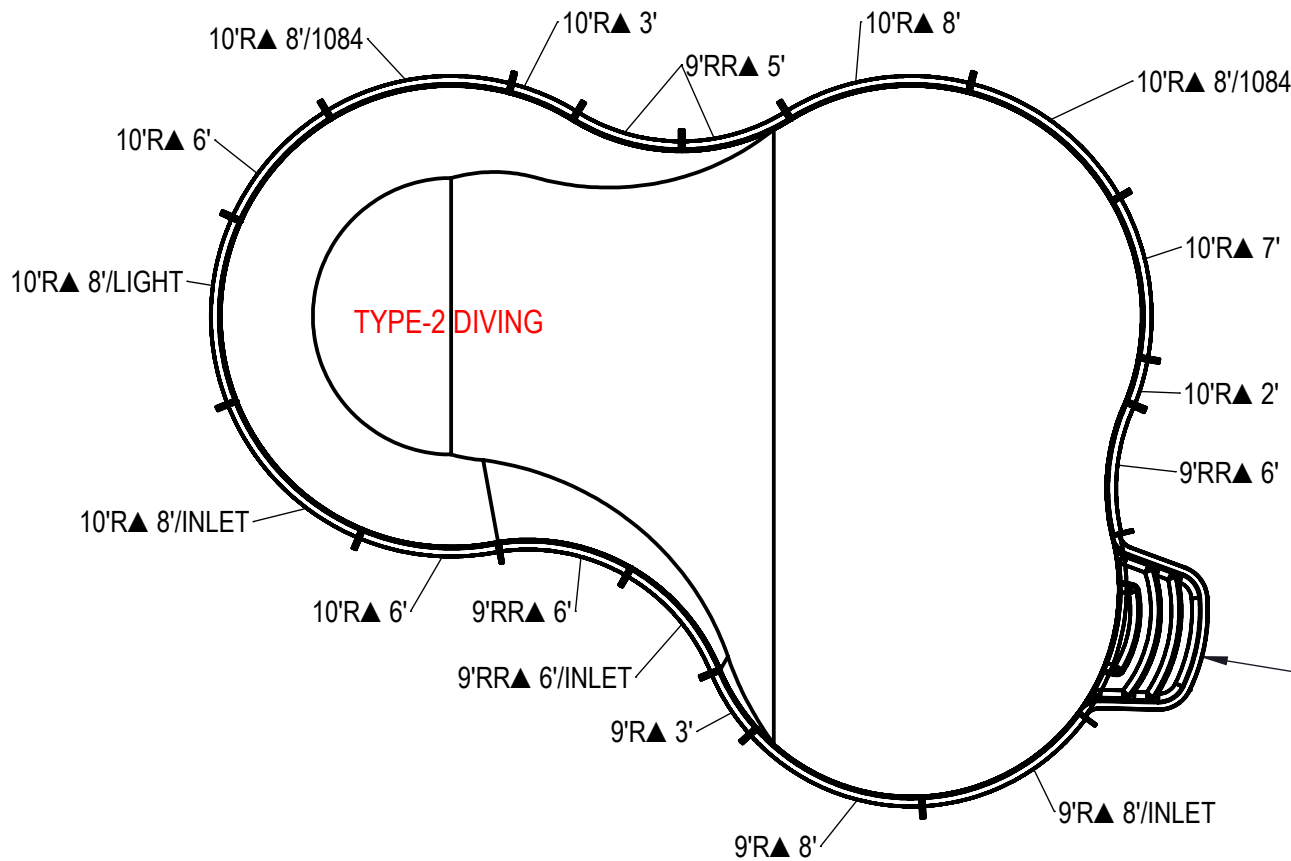


REVISION HISTORY			
REV.	DESCRIPTION	DATE	BY
A	RELEASED FOR QUOTE	1/18/2018	BUMPHREY



NOTES:

- THESE ARE FINISHED DIMENSIONS READY FOR THE LINER.
- DIMENSIONS ARE FROM INSIDE POOL PANELS.
- ROPE AND FLOAT ASSEMBLY SHOULD BE INSTALLED IN ACCORDANCE WITH CURRENT ANSI/ASPS/ICC REGULATIONS
- HYDRA LINER TRACK FOR STEPS IS INSTALLED WITH THE BARB FACING THE RISER WALL ON THE STEP.

EXCAVATION NOTES:

- ROUGH EXCAVATION SHOULD BE 2" DEEPER IN EACH INSTANCE.
- SOIL TO HAVE MINIMUM BEARING CAPACITY OF 1500 PSF.
- LOCATE TOP OF POOL AT LEAST 6" ABOVE THE SURROUNDING LAND ELEVATION.
- SEE "OVER DIG DETAIL" FOR EXCAVATION AROUND POOL.
- FILL VOIDS UNDER BASE OF PANELS AND TAMP WELL.
- BACK FILL WITH NON-EXPANSIVE MATERIAL.
- FOLLOW ALL CURRENT ANSI / APSP / ICC GUIDELINES FOR RESIDENTIAL POOLS

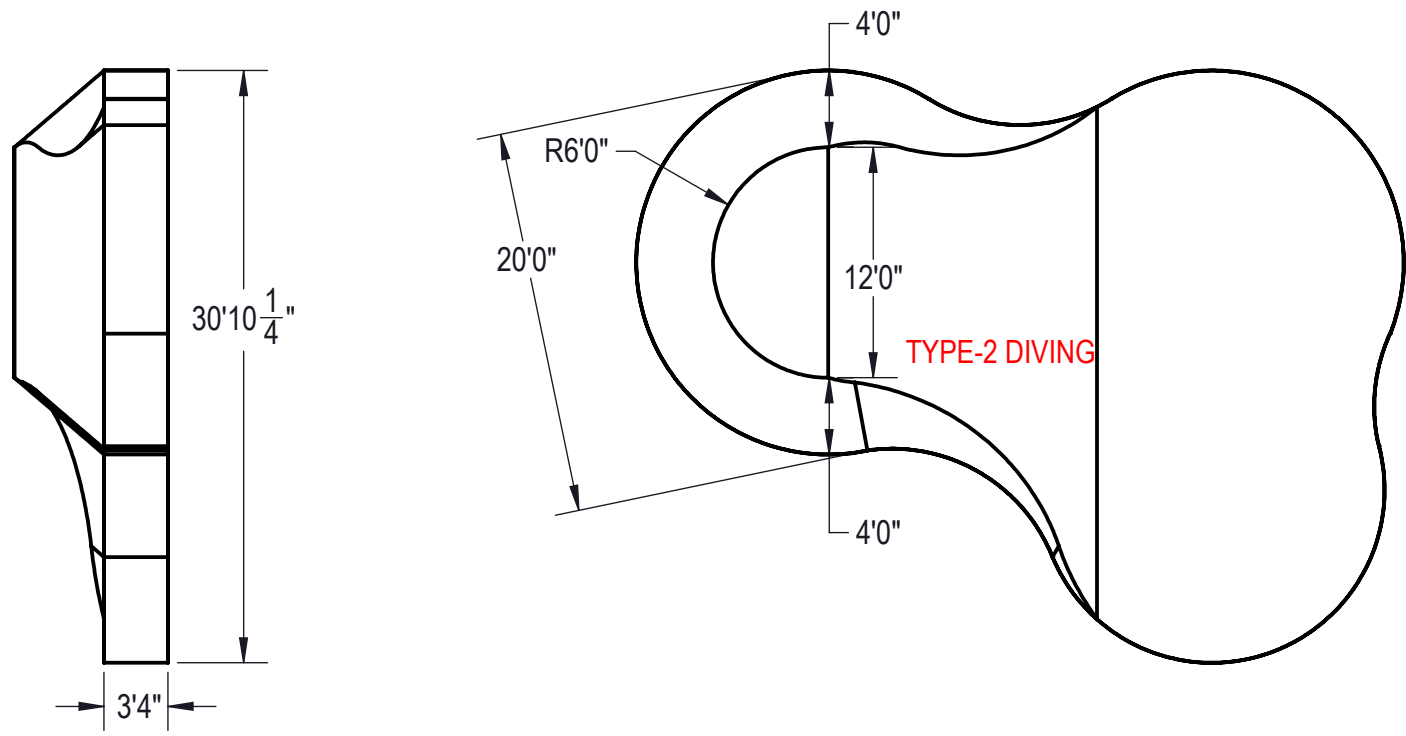
IMPORTANT NOTES:

THIS DOCUMENT IS FOR ILLUSTRATIVE PURPOSES ONLY. THE DEALER OR CONTRACTOR WHO SELLS OR INSTALLS YOUR POOL IS AN INDEPENDENT CONTRACTOR AND IS NOT AN AGENT OF THE MANUFACTURER. THE CONSTRUCTION METHODS ILLUSTRATED HERE ARE SUGGESTIONS AND APPLY ONLY TO NORMAL GROUND CONDITIONS. THERE MAY BE ADDITIONAL PRECAUTIONS AND/OR METHODS OF CONSTRUCTION. PROPER INSTALLATION IS THE RESPONSIBILITY OF THE DEALER/BUILDER/CONTRACTOR.

ITEM	FILE NAME	DESCRIPTION	CUSTOMER DRAWING #	VENDOR PART #	QTY.
1	BOLT, PACK	BOLT, FLANGE, 3/8-16 X 1", PACK (50)	HPS1916	HPS1916	5
2	SBRACE	BRACE, FOLD OVER WITH TURNBUCKLE, STEEL, HPSFOB	HPSFOB	HPSFOB	19
3	PANEL, RADIUS	PANEL, 10' RADIUS, 2' LONG, 600 SERIES	HPS10R2	00002055	1
4	PANEL, RADIUS	PANEL, 10' RADIUS, 3' LONG, 600 SERIES	HPS10R3	00002098	1
5	PANEL, RADIUS	PANEL, 10' RADIUS, 6' LONG, 600 SERIES	HPSD10R6	00000997	2
6	PANEL, RADIUS	PANEL, 10' RADIUS, 7' LONG, 600 SERIES	HPS10R7	00002031	1
7	PANEL, RADIUS	PANEL, 10' RADIUS, 8' LONG 1084, 600 SERIES	HPSD10R884	00000241	2
8	PANEL, RADIUS	PANEL, 10' RADIUS, 8' LONG, 600 SERIES	HPSD10R8	00000999	1
9	PANEL, RADIUS	PANEL, 10' RADIUS, 8' LONG, INLET, 600 SERIES	HPS10R8I	00002082	1
10	PANEL, RADIUS	PANEL, 10' RADIUS, 8' LONG, LIGHT, 600 SERIES	HPSD10R8L	00001014	1
11	PANEL, RADIUS	PANEL, 9' RADIUS, 3' LONG, 600 SERIES	HPSD9R3	00000351	1
12	PANEL, RADIUS	PANEL, 9' RADIUS, 8' LONG, 600 SERIES	HPSD9R8	00000395	1
13	PANEL, RADIUS	PANEL, 9' RADIUS, 8', INLET OR LED, 600 SERIES	HPS9R8I	00000275	1
14	PANEL, RR	PANEL, 9' REVERSE RADIUS, 5' LONG, 600 SERIES	HPSD9RR5	00000168	2
15	PANEL, RR	PANEL, 9' REVERSE RADIUS, 6' LONG, 600 SERIES	HPSD9RR6	00000393	2
16	PANEL, RR	PANEL, 9' REVERSE RADIUS, 6' LONG, INLET, 600 SERIES	HPSCRR7	00012017	1
17	HS311N	STEP, 8' RADIUS, 4 TREAD, CANTILEVER	HS311N	HS311N	1

ENGINEERING DRAWING NUMBER: 00017259	WEIGHT: 357850.5 lbs	UNLESS OTHERWISE SPECIFIED DIMENSIONS ARE IN INCHES TOLERANCES DECIMALS: X ± .1 XX ± .01 XXX ± .001 XXXX ± .0005 ANGULAR: X ± 0.5 THIRD ANGLE PROJECTION	DESIGNED BY: BUMPHREY	CREATION DATE: 7/10/2013
	VOLUME: Inch ³		DETAILED BY: BUMPHREY	DETAILED DATE: 1/18/2018
	COLOR:		LAST REVISED BY: bumphrey	LAST REVISED DATE: 1/18/2018
	HEAT TREAT:		MATERIAL:	
	FINISH:			
	TEXTURE:			

HYDRA POOLS	
TITLE: LAYOUT, 20' X 40' X 31', AMEBA, LEFT, 8' DEEP, HS311N, LIGHT, 2-1084, 3-INLET, 600 SERIES	
PART NUMBER: 00017259	SCALE: 1:192 SHEET: 1 OF 5 SIZE: A



Area: 865.54ft ^2
Perimeter: 119.00ft
Volume = 29204 US gallons

NOTES:

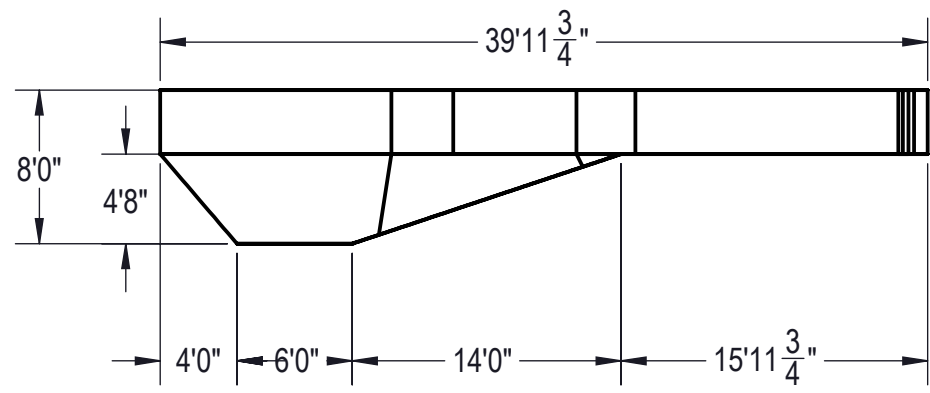
1. THESE ARE FINISHED DIMENSIONS READY FOR THE LINER.
2. DIMENSIONS ARE FROM INSIDE POOL PANELS.
3. ROPE AND FLOAT ASSEMBLY SHOULD BE INSTALLED IN ACCORDANCE WITH CURRENT ANSI/ASPS/ICC REGULATIONS
4. HYDRA LINER TRACK FOR STEPS IS INSTALLED WITH THE BARB FACING THE RISER WALL ON THE STEP.

EXCAVATION NOTES:

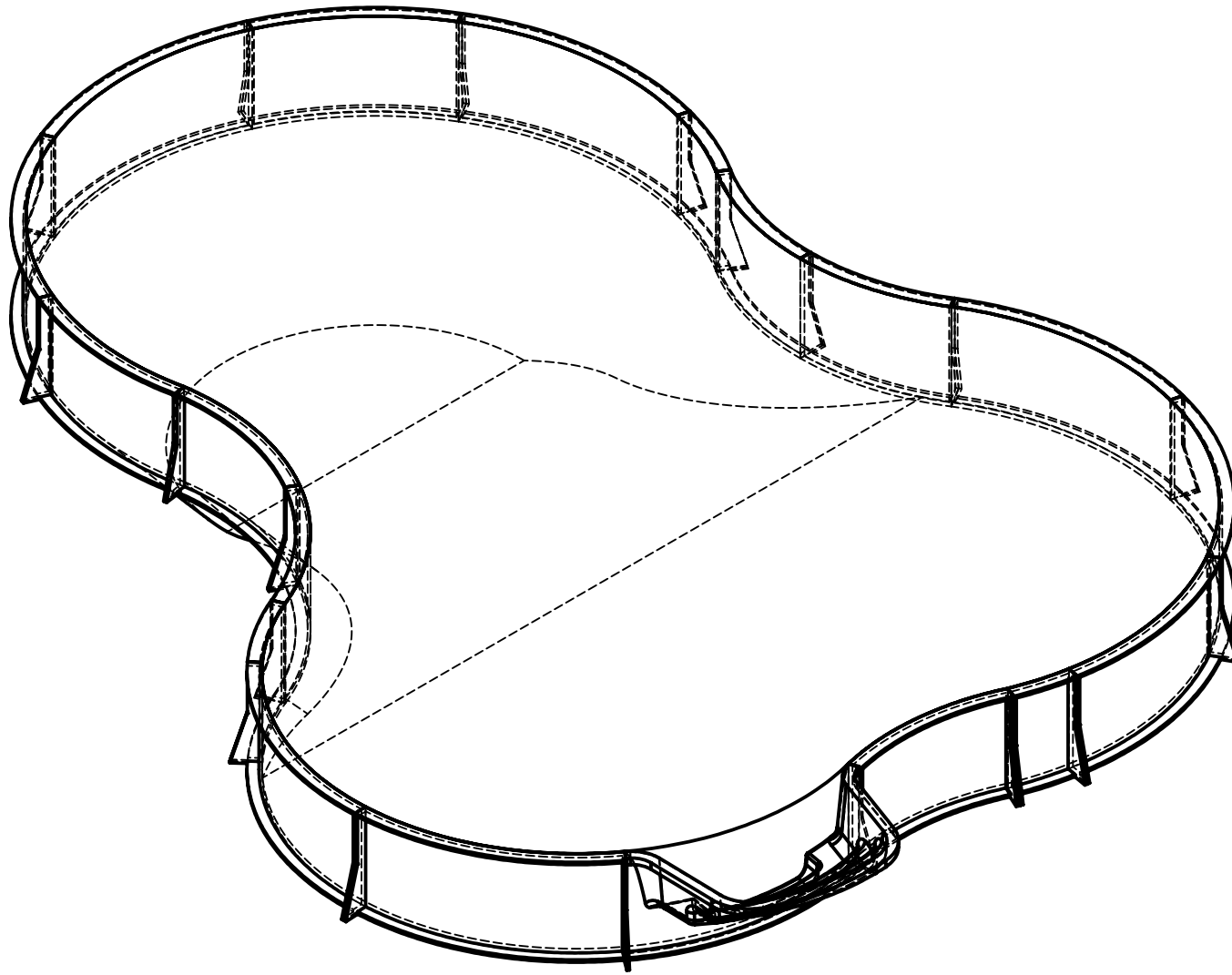
5. ROUGH EXCAVATION SHOULD BE 2" DEEPER IN EACH INSTANCE.
6. SOIL TO HAVE MINIMUM BEARING CAPACITY OF 1500 PSF.
7. LOCATE TOP OF POOL AT LEAST 6" ABOVE THE SURROUNDING LAND ELEVATION.
8. SEE "OVER DIG DETAIL" FOR EXCAVATION AROUND POOL.
9. FILL VOIDS UNDER BASE OF PANELS AND TAMP WELL.
10. BACK FILL WITH NON-EXPANSIVE MATERIAL.
11. FOLLOW ALL CURRENT ANSI / APSP / ICC GUIDELINES FOR RESIDENTIAL POOLS


IMPORTANT NOTES:

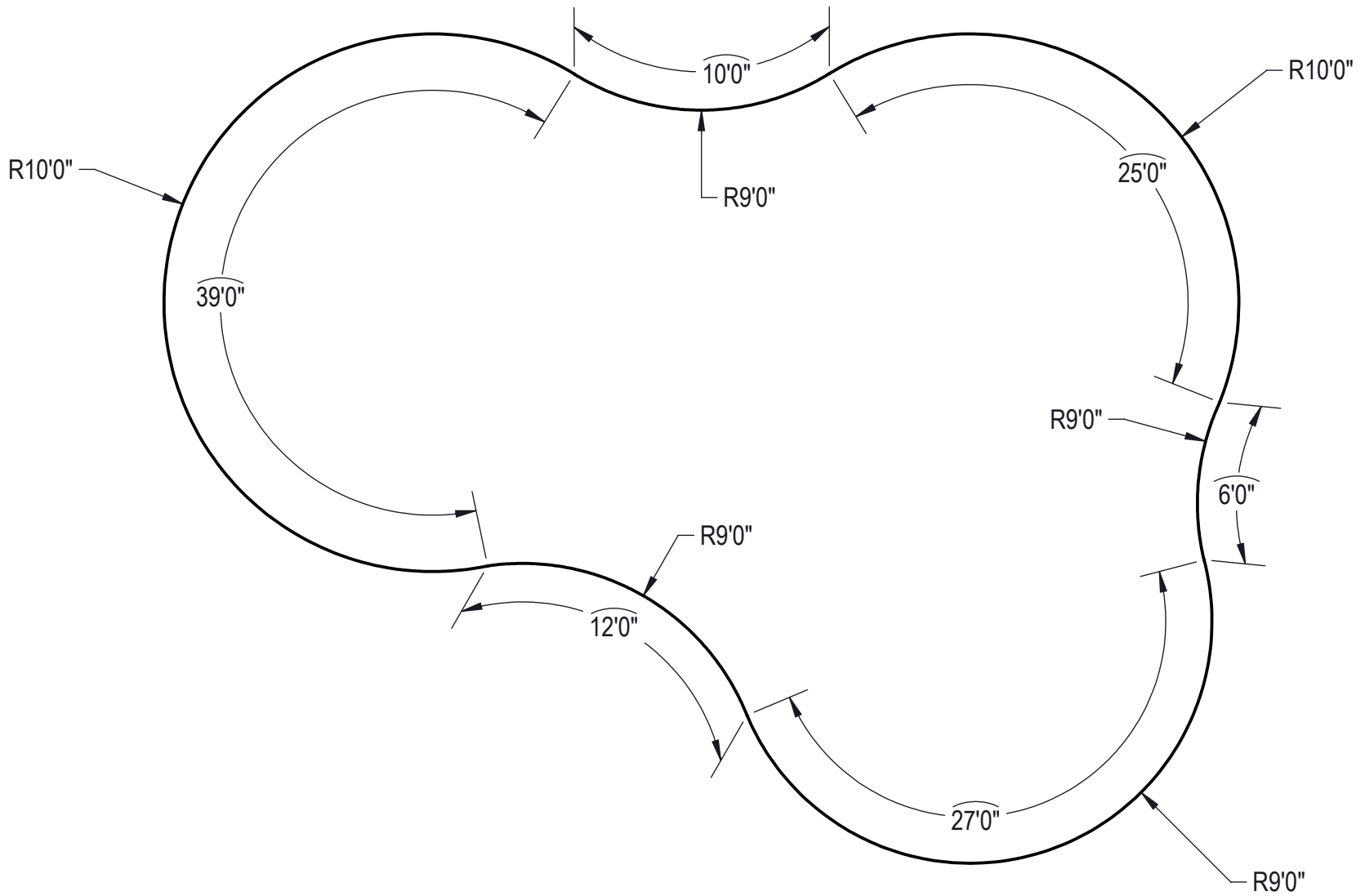
THIS DOCUMENT IS FOR ILLUSTRATIVE PURPOSES ONLY. THE DEALER OR CONTRACTOR WHO SELLS OR INSTALLS YOUR POOL IS AN INDEPENDENT CONTRACTOR AND IS NOT AN AGENT OF THE MANUFACTURER. THE CONSTRUCTION METHODS ILLUSTRATED HERE ARE SUGGESTIONS AND APPLY ONLY TO NORMAL GROUND CONDITIONS. THERE MAY BE ADDITIONAL PRECAUTIONS AND/OR METHODS OF CONSTRUCTION. PROPER INSTALLATION IS THE RESPONSIBILITY OF THE DEALER/BUILDER/CONTRACTOR.




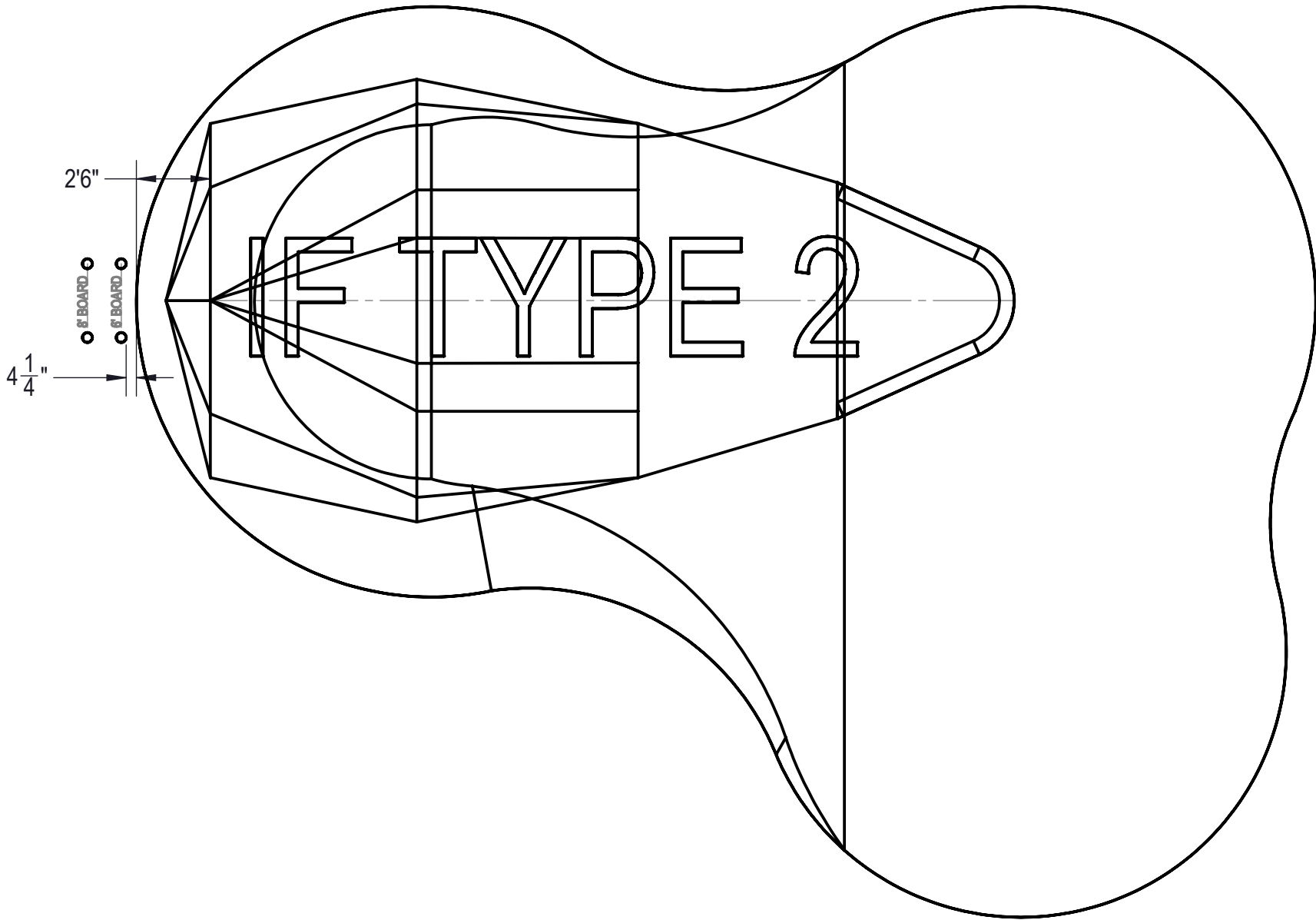
ENGINEERING DRAWING NUMBER: 00017259	WEIGHT:	UNLESS OTHERWISE SPECIFIED DIMENSIONS ARE IN INCHES TOLERANCES DECIMALS: X ± .1 XX ± .01 XXX ± .001 XXXX ± .0005 ANGULAR: X ± 0.5 THIRD ANGLE PROJECTION	DESIGNED BY:	CREATION DATE:	HYDRA POOLS
	lbs		BUMPHREY	7/10/2013	
	VOLUME:		Detailed BY:	DETAILED DATE:	
	Inch ³		BUMPHREY	1/18/2018	
	NA		LAST REVISED BY:	LAST REVISED DATE:	
COLOR:	bumphrey	1/18/2018	TITLE: LAYOUT, 20' X 40' X 31', AMEBA, LEFT, 8' DEEP, HS311N, LIGHT, 2-1084, 3-INLET, 600 SERIES		
HEAT TREAT:	MATERIAL:		PART NUMBER:	SCALE:	SIZE:
NA			00017259	1:192	A
FINISH:				SHEET:	
NA				2 OF 5	
TEXTURE:					
NA					




ENGINEERING DRAWING NUMBER: 00017259	WEIGHT: 357850.5 lbs	UNLESS OTHERWISE SPECIFIED DIMENSIONS ARE IN INCHES TOLERANCES DECIMALS: X ± .1 XX ± .01 XXX ± .001 XXXX ± .0005 ANGULAR: X ± 0.5 THIRD ANGLE PROJECTION 	DESIGNED BY: BUMPHREY	CREATION DATE: 7/10/2013	HYDRA POOLS	
	VOLUME: Inch ³		DETAILED BY: BUMPHREY	DETAILED DATE: 1/18/2018		
	COLOR:		LAST REVISED BY: bumphrey	LAST REVISED DATE: 1/18/2018		
	HEAT TREAT:		MATERIAL:		TITLE: LAYOUT, 20' X 40' X 31', AMEBA, LEFT, 8' DEEP, HS311N, LIGHT, 2-1084, 3-INLET, 600 SERIES	
	FINISH:				PART NUMBER: 00017259	
TEXTURE:			SCALE: 1:192	SIZE: A		



ENGINEERING DRAWING NUMBER: 00017259	WEIGHT:	UNLESS OTHERWISE SPECIFIED DIMENSIONS ARE IN INCHES TOLERANCES DECIMALS: X ± .1 XX ± .01 XXX ± .001 XXXX ± .0005 ANGULAR: X ± 0.5 THIRD ANGLE PROJECTION 	DESIGNED BY:	CREATION DATE:	HYDRA POOLS					
	lbs		BUMPHREY	7/10/2013						
	VOLUME:		DESIGNED BY: BUMPHREY LAST REVISED BY: bumphrey MATERIAL:	DETAILED DATE:	TITLE: LAYOUT, 20' X 40' X 31', AMEBA, LEFT, 8' DEEP, HS311N, LIGHT, 2-1084, 3-INLET, 600 SERIES					
	Inch ³			1/18/2018						
	COLOR:			LAST REVISED DATE:			PART NUMBER: <div style="font-size: 2em; font-weight: bold; text-align: center;">00017259</div>			
	NA			1/18/2018					SCALE:	SIZE:
	HEAT TREAT:								1:192	A
NA			SHEET:							
FINISH:			4 OF 5							
TEXTURE:										



ENGINEERING DRAWING NUMBER: 00017259	WEIGHT:	357850.5 lbs	UNLESS OTHERWISE SPECIFIED DIMENSIONS ARE IN INCHES TOLERANCES DECIMALS: X ± .1 XX ± .01 XXX ± .001 XXXX ± .0005 ANGULAR: X ± 0.5 THIRD ANGLE PROJECTION 	DESIGNED BY:	BUMPHREY	CREATION DATE:	7/10/2013	HYDRA POOLS					
	VOLUME:	Inch ³		DETAILED BY:	BUMPHREY	DETAILED DATE:	1/18/2018						
	COLOR:			LAST REVISED BY:	bumphrey	LAST REVISED DATE:	1/18/2018		TITLE:	LAYOUT, 20' X 40' X 31', AMEBA, LEFT, 8' DEEP, HS311N, LIGHT, 2-1084, 3-INLET, 600 SERIES			
	HEAT TREAT:			MATERIAL:				PART NUMBER:	00017259	SCALE:	1:192	SIZE:	A
	FINISH:									SHEET:	5 OF 5		
	TEXTURE:												