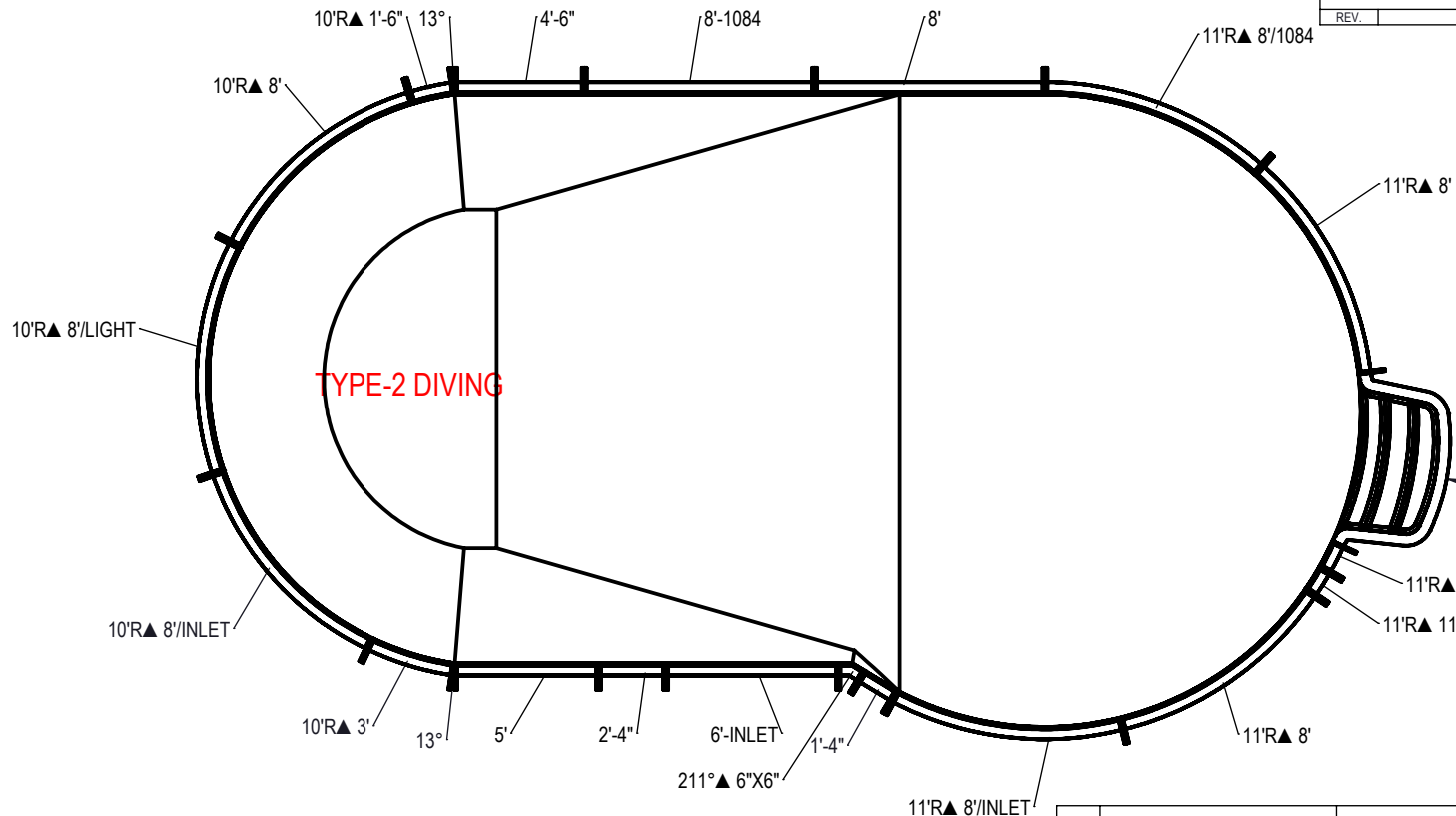


REVISION HISTORY				
REV.	DESCRIPTION	DATE	ECO	BY



NOTES:

- THESE ARE FINISHED DIMENSIONS READY FOR THE LINER.
- DIMENSIONS ARE FROM INSIDE POOL PANELS.
- ROPE AND FLOAT ASSEMBLY SHOULD BE INSTALLED IN ACCORDANCE WITH CURRENT ANSI/ASPS/ICC REGULATIONS
- HYDRA LINER TRACK FOR STEPS IS INSTALLED WITH THE BARB FACING THE RISER WALL ON THE STEP.

EXCAVATION NOTES:

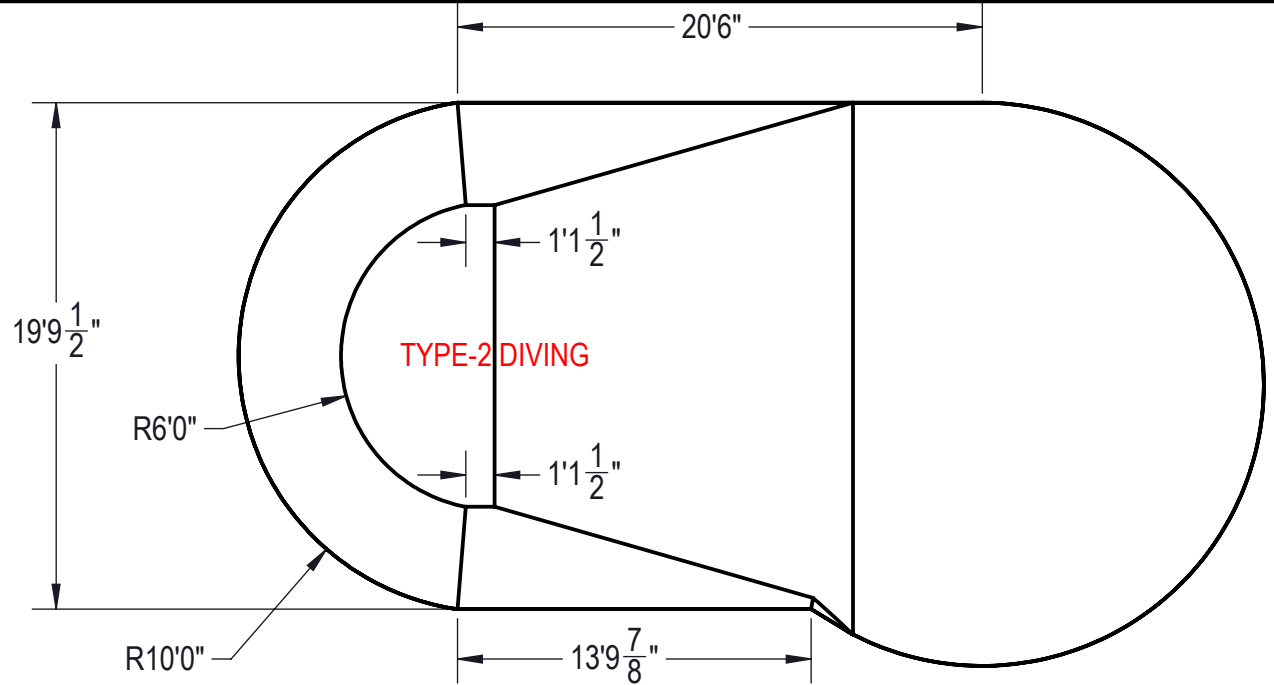
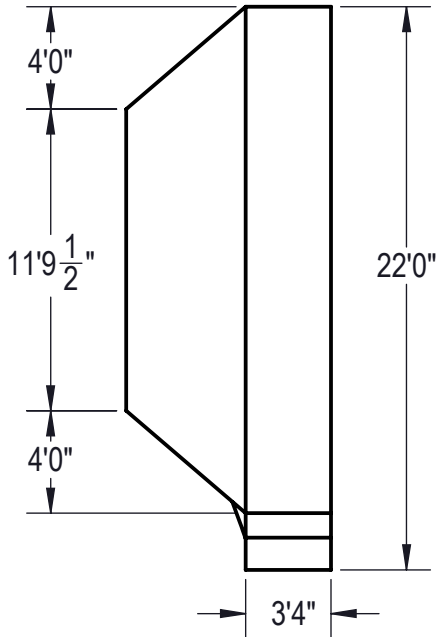
- ROUGH EXCAVATION SHOULD BE 2" DEEPER IN EACH INSTANCE.
- SOIL TO HAVE MINIMUM BEARING CAPACITY OF 1500 PSF.
- LOCATE TOP OF POOL AT LEAST 6" ABOVE THE SURROUNDING LAND ELEVATION.
- SEE "OVER DIG DETAIL" FOR EXCAVATION AROUND POOL.
- FILL VOIDS UNDER BASE OF PANELS AND TAMP WELL.
- BACK FILL WITH NON-EXPANSIVE MATERIAL.
- FOLLOW ALL CURRENT ANSI / APSP / ICC GUIDELINES FOR RESIDENTIAL POOLS

IMPORTANT NOTES:

THIS DOCUMENT IS FOR ILLUSTRATIVE PURPOSES ONLY. THE DEALER OR CONTRACTOR WHO SELLS OR INSTALLS YOUR POOL IS AN INDEPENDENT CONTRACTOR AND IS NOT AN AGENT OF THE MANUFACTURER. THE CONSTRUCTION METHODS ILLUSTRATED HERE ARE SUGGESTIONS AND APPLY ONLY TO NORMAL GROUND CONDITIONS. THERE MAY BE ADDITIONAL PRECAUTIONS AND/OR METHODS OF CONSTRUCTION. PROPER INSTALLATION IS THE RESPONSIBILITY OF THE DEALER/BUILDER/CONTRACTOR.

ITEM	FILE NAME	DESCRIPTION	CUSTOMER DRAWING #	VENDOR PART #	QTY.
1	BOLT_PACK	BOLT, FLANGE, 3/8-16 X 1", PACK (50)	HPS1916	HPS1916	5
2	SBRACE	BRACE, FOLD OVER WITH TURNBUCKLE, STEEL, HPSFOB	HPSFOB	HPSFOB	20
3	PANEL_ANGLE	PANEL, ANGLE, 6" X 6" X 211°, 600 SERIES	HPSD6X6211	00001396	1
4	PANEL_STRAIGHT	PANEL, 1'-4" LONG, 600 SERIES	HPSCS2	00004831	1
5	PANEL_RADIUS	PANEL, 10' RADIUS, 1'-6" LONG, 600 SERIES	HPSCR2	00002100	1
6	PANEL_RADIUS	PANEL, 10' RADIUS, 3' LONG, 600 SERIES	HPS10R3	00002098	1
7	PANEL_RADIUS	PANEL, 10' RADIUS, 8' LONG, 600 SERIES	HPSD10R8	00000999	1
8	PANEL_RADIUS	PANEL, 10' RADIUS, 8' LONG, INLET, 600 SERIES	HPS10R8I	00002082	1
9	PANEL_RADIUS	PANEL, 10' RADIUS, 8' LONG, LIGHT, 600 SERIES	HPSD10R8L	00001014	1
10	PANEL_RADIUS	PANEL, 11' RADIUS, 1' LONG, 600 SERIES	HPSD11R1	00000300	1
11	PANEL_RADIUS	PANEL, 11' RADIUS, 11" LONG, 600 SERIES	HPSCR1	00006747	1
12	PANEL_RADIUS	PANEL, 11' RADIUS, 8' LONG, 600 SERIES	HPSD11R8	00001182	2
13	PANEL_RADIUS	PANEL, 11' RADIUS, 8' LONG, 1084, 600 SERIES	HPS11R884	00000248	1
14	PANEL_RADIUS	PANEL, 11' RADIUS, 8' LONG, INLET, 600 SERIES	HPSD11R8I	00000770	1
15	PANEL_STRAIGHT	PANEL, 2'-4" LONG, 600 SERIES	HPSCS3	00001983	1
16	PANEL_STRAIGHT	PANEL, 4'-6" LONG, 600 SERIES	HPSD1046P	00000644	1
17	PANEL_STRAIGHT	PANEL, 5' LONG, 600 SERIES	HPSD105P	00000674	1
18	PANEL_STRAIGHT	PANEL, 6' LONG, INLET, 600 SERIES	HPSD106I	00000221	1
19	PANEL_STRAIGHT	PANEL, 8' LONG, 1084, 600 SERIES	HPSD10884	00002006	1
20	PANEL_STRAIGHT	PANEL, 8' LONG, 600 SERIES	HPSD108P	00000687	1
21	HS303N	STEP, 9" RADIUS, 3 TREAD, CANTILEVER	HS303N	HS303N	1
22	PANEL_WEDGE	WEDGE, 42" X 2 1/2" X 2 1/2" X 13°	HPSD13W	00004886	2

ENGINEERING DRAWING NUMBER: 00017437	WEIGHT: lbs	UNLESS OTHERWISE SPECIFIED DIMENSIONS ARE IN INCHES TOLERANCES DECIMALS: X ± .1 XX ± .01 XXX ± .001 XXXX ± .0005 ANGULAR: X ± 0.5 THIRD ANGLE PROJECTION	DESIGNED BY: BUMPHREY	CREATION DATE: 2/14/2014	HYDRA POOLS
	VOLUME: Inch ³		DETAILED BY: BUMPHREY	DETAILED DATE: 1/29/2018	
	COLOR:		LAST REVISED BY: bumphrey	LAST REVISED DATE: 1/30/2018	
	HEAT TREAT:		MATERIAL:	TITLE: LAYOUT, 20' X 40', MARTINQUE LEFT, 8' DEEP, HS303N, LIGHT, 2-1084, 3-INLET, 600 SERIES	
	FINISH:			PART NUMBER: 00017437	
TEXTURE:		SCALE: 1:192	SIZE: A		



Area: 733.80ft ^2
Perimeter: 104.53ft
Volume = 26058 US gallons

NOTES:

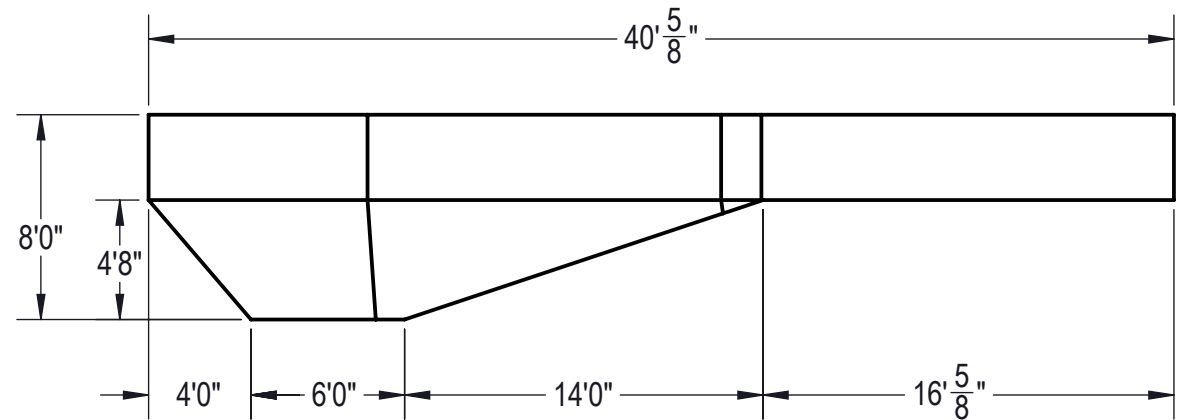
1. THESE ARE FINISHED DIMENSIONS READY FOR THE LINER.
2. DIMENSIONS ARE FROM INSIDE POOL PANELS.
3. ROPE AND FLOAT ASSEMBLY SHOULD BE INSTALLED IN ACCORDANCE WITH CURRENT ANSI/ASPS/ICC REGULATIONS
4. HYDRA LINER TRACK FOR STEPS IS INSTALLED WITH THE BARB FACING THE RISER WALL ON THE STEP.

EXCAVATION NOTES:

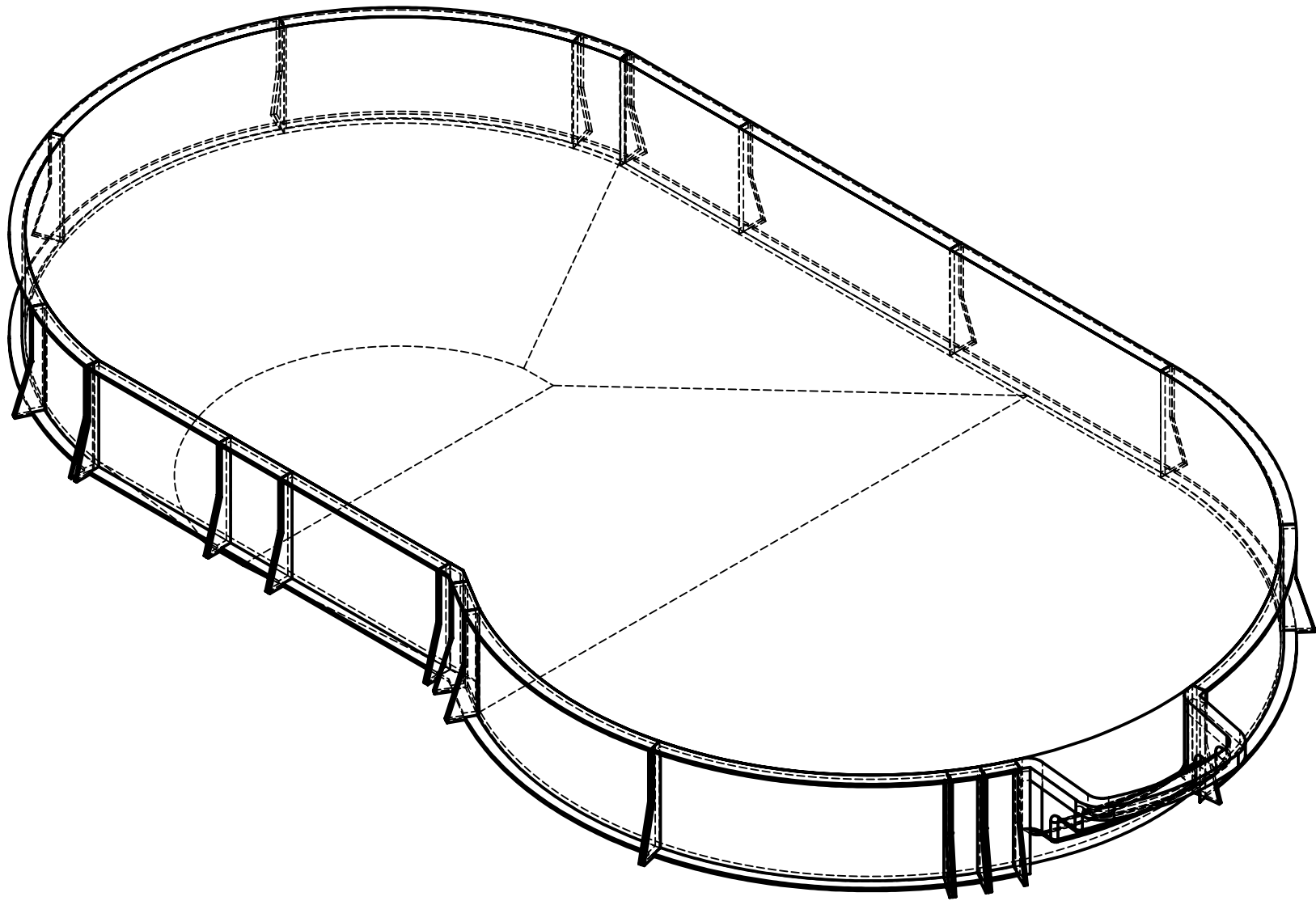
5. ROUGH EXCAVATION SHOULD BE 2" DEEPER IN EACH INSTANCE.
6. SOIL TO HAVE MINIMUM BEARING CAPACITY OF 1500 PSF.
7. LOCATE TOP OF POOL AT LEAST 6" ABOVE THE SURROUNDING LAND ELEVATION.
8. SEE "OVER DIG DETAIL" FOR EXCAVATION AROUND POOL.
9. FILL VOIDS UNDER BASE OF PANELS AND TAMP WELL.
10. BACK FILL WITH NON-EXPANSIVE MATERIAL.
11. FOLLOW ALL CURRENT ANSI / APSP / ICC GUIDELINES FOR RESIDENTIAL POOLS

IMPORTANT NOTES:

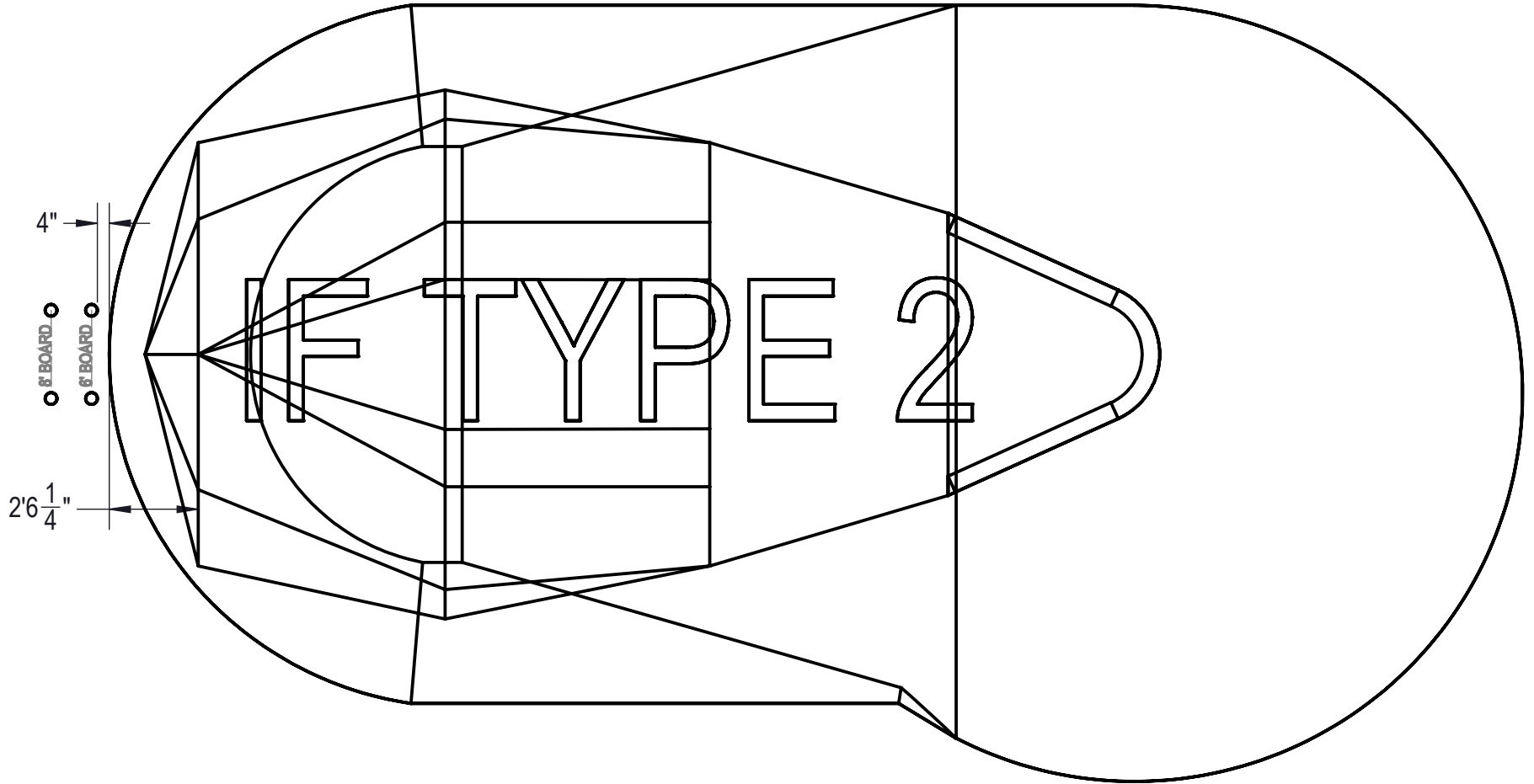
THIS DOCUMENT IS FOR ILLUSTRATIVE PURPOSES ONLY. THE DEALER OR CONTRACTOR WHO SELLS OR INSTALLS YOUR POOL IS AN INDEPENDENT CONTRACTOR AND IS NOT AN AGENT OF THE MANUFACTURER. THE CONSTRUCTION METHODS ILLUSTRATED HERE ARE SUGGESTIONS AND APPLY ONLY TO NORMAL GROUND CONDITIONS. THERE MAY BE ADDITIONAL PRECAUTIONS AND/OR METHODS OF CONSTRUCTION. PROPER INSTALLATION IS THE RESPONSIBILITY OF THE DEALER/BUILDER/CONTRACTOR.



ENGINEERING DRAWING NUMBER: 00017437	WEIGHT: lbs	UNLESS OTHERWISE SPECIFIED DIMENSIONS ARE IN INCHES TOLERANCES DECIMALS: X ± .1 XX ± .01 XXX ± .001 XXXX ± .0005 ANGULAR: X ± 0.5 THIRD ANGLE PROJECTION	DESIGNED BY: BUMPHREY	CREATION DATE: 2/14/2014	HYDRA POOLS	
	VOLUME: Inch ³		DETAILED BY: BUMPHREY	DETAILED DATE: 1/29/2018		
	COLOR:		LAST REVISED BY: bumphrey	LAST REVISED DATE: 1/30/2018	TITLE: LAYOUT, 20' X 40', MARTINQUE LEFT, 8' DEEP, HS303N, LIGHT, 2-1084, 3-INLET, 600 SERIES	
	HEAT TREAT:		MATERIAL:			
	FINISH:		PART NUMBER: 00017437			
TEXTURE:			SHEET: 2 OF 4			



ENGINEERING DRAWING NUMBER: 00017437	WEIGHT:	UNLESS OTHERWISE SPECIFIED DIMENSIONS ARE IN INCHES TOLERANCES DECIMALS: X ± .1 XX ± .01 XXX ± .001 XXXX ± .0005 ANGULAR: X ± 0.5 THIRD ANGLE PROJECTION 	DESIGNED BY:	CREATION DATE:	HYDRA POOLS
	lbs		BUMPHREY	2/14/2014	
	VOLUME:		Detailed by:	Detailed Date:	
	Inch ³		BUMPHREY	1/29/2018	
	COLOR:		LAST REVISED BY:	LAST REVISED DATE:	TITLE: LAYOUT, 20' X 40', MARTINQUE LEFT, 8' DEEP, HS303N, LIGHT, 2-1084, 3-INLET, 600 SERIES
	NA		bumphrey	1/30/2018	
HEAT TREAT:	MATERIAL:	PART NUMBER:		SCALE:	SIZE:
NA		00017437		1:192	A
FINISH:				SHEET:	
NA				3 OF 4	
TEXTURE:					
NA					



ENGINEERING DRAWING NUMBER: 00017437	WEIGHT:	UNLESS OTHERWISE SPECIFIED DIMENSIONS ARE IN INCHES TOLERANCES DECIMALS: X ± .1 XX ± .01 XXX ± .001 XXXX ± .0005 ANGULAR: X ± 0.5 THIRD ANGLE PROJECTION 	DESIGNED BY:	CREATION DATE:	HYDRA POOLS
	lbs		BUMPHREY	2/14/2014	
	VOLUME:		Detailed by:	Detailed Date:	
	Inch ³		BUMPHREY	1/29/2018	TITLE: LAYOUT, 20' X 40', MARTINQUE LEFT, 8' DEEP, HS303N, LIGHT, 2-1084, 3-INLET, 600 SERIES
	COLOR:		LAST REVISED BY:	LAST REVISED DATE:	
	NA		bumphrey	1/30/2018	
HEAT TREAT:	MATERIAL:	PART NUMBER:		SCALE:	SIZE:
NA		00017437		1:192	A
FINISH:				SHEET:	
NA				4 OF 4	
TEXTURE:					
NA					