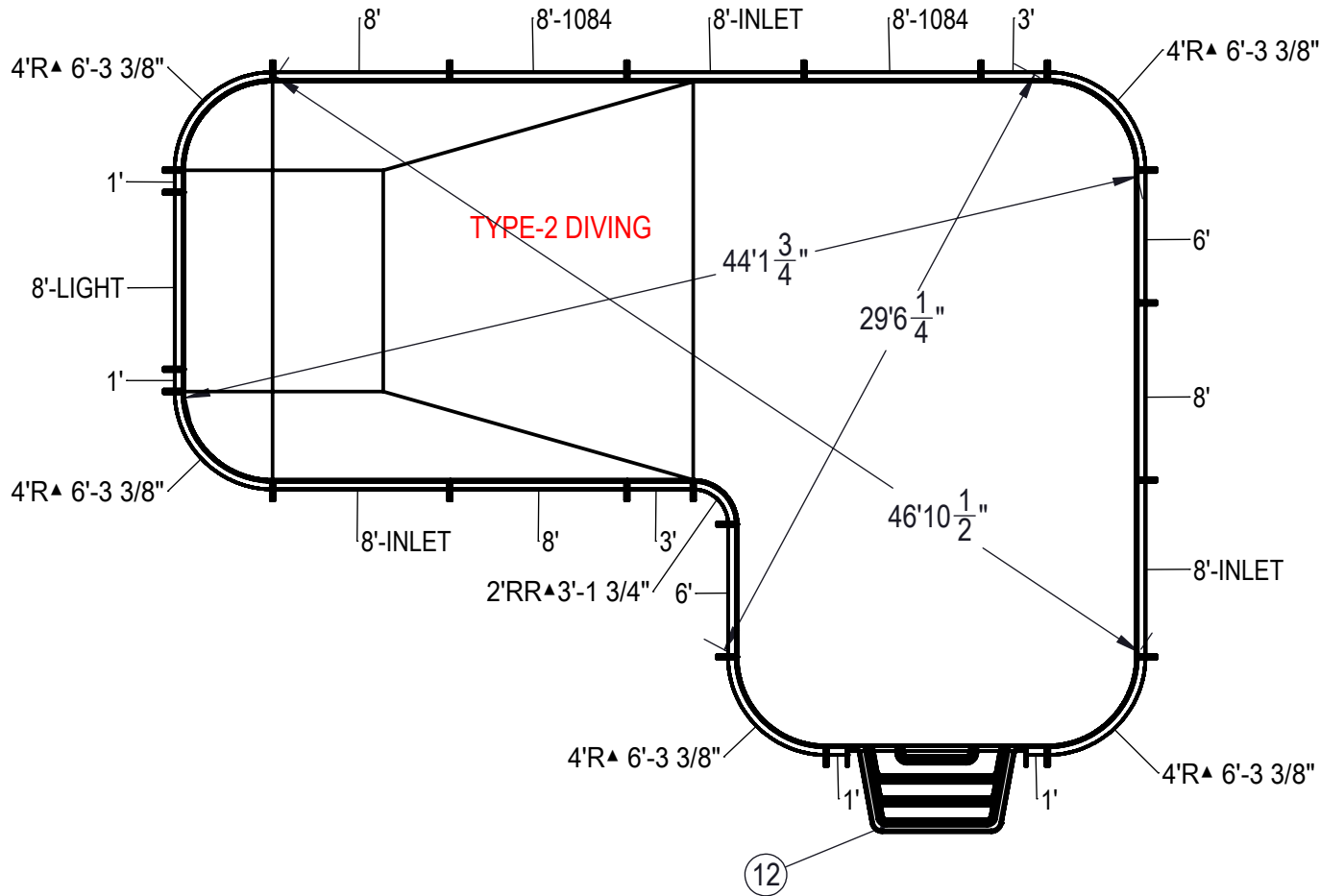


REVISION HISTORY				
REV.	DESCRIPTION	DATE	ECO	BY



NOTES:

- THESE ARE FINISHED DIMENSIONS READY FOR THE LINER.
- DIMENSIONS ARE FROM INSIDE POOL PANELS.
- ROPE AND FLOAT ASSEMBLY SHOULD BE INSTALLED IN ACCORDANCE WITH CURRENT ANSI/ASPS/ICC REGULATIONS
- HYDRA LINER TRACK FOR STEPS IS INSTALLED WITH THE BARB FACING THE RISER WALL ON THE STEP.

EXCAVATION NOTES:

- ROUGH EXCAVATION SHOULD BE 2" DEEPER IN EACH INSTANCE.
- SOIL TO HAVE MINIMUM BEARING CAPACITY OF 1500 PSF.
- LOCATE TOP OF POOL AT LEAST 6" ABOVE THE SURROUNDING LAND ELEVATION.
- SEE "OVER DIG DETAIL" FOR EXCAVATION AROUND POOL.
- FILL VOIDS UNDER BASE OF PANELS AND TAMP WELL.
- BACK FILL WITH NON-EXPANSIVE MATERIAL.
- FOLLOW ALL CURRENT ANSI / APSP / ICC GUIDELINES FOR RESIDENTIAL POOLS

IMPORTANT NOTES:

THIS DOCUMENT IS FOR ILLUSTRATIVE PURPOSES ONLY. THE DEALER OR CONTRACTOR WHO SELLS OR INSTALLS YOUR POOL IS AN INDEPENDENT CONTRACTOR AND IS NOT AN AGENT OF THE MANUFACTURER. THE CONSTRUCTION METHODS ILLUSTRATED HERE ARE SUGGESTIONS AND APPLY ONLY TO NORMAL GROUND CONDITIONS. THERE MAY BE ADDITIONAL PRECAUTIONS AND/OR METHODS OF CONSTRUCTION. PROPER INSTALLATION IS THE RESPONSIBILITY OF THE DEALER/BUILDER/CONTRACTOR.

ITEM	FILE NAME	DESCRIPTION	CUSTOMER DRAWING #	VENDOR PART #	QTY.
1	BOLT_PACK	BOLT, FLANGE, 3/8-16 X 1", PACK (50)	HPS1916	HPS1916	6
2	SBRACE	BRACE, FOLD OVER WITH TURNBUCKLE, STEEL, HPSFOB	HPSFOB	HPSFOB	24
3	PANEL_STRAIGHT	PANEL, 1' LONG, 600 SERIES	HPSD101P	00000621	4
4	PANEL_RR	PANEL, 2' REVERSE RADIUS, 3'-1 3/4" LONG, 600 SERIES	HPSD2RR	00000288	1
5	PANEL_STRAIGHT	PANEL, 3' LONG, 600 SERIES	HPSD103P	00000643	2
6	PANEL_RADIUS	PANEL, 4' RADIUS, 6'-3 3/8" LONG, 600 SERIES	HPSD4R	00000289	5
7	PANEL_STRAIGHT	PANEL, 6' LONG, 600 SERIES	HPSD106P	00000676	2
8	PANEL_STRAIGHT	PANEL, 8' LONG, 1084, 600 SERIES	HPSD1084	00002006	2
9	PANEL_STRAIGHT	PANEL, 8' LONG, 600 SERIES	HPSD108P	00000687	3
10	PANEL_STRAIGHT	PANEL, 8' LONG, INLET, 600 SERIES	HPSD108I	00000699	3
11	PANEL_STRAIGHT	PANEL, 8' LONG, LIGHT, 600 SERIES	HPSD108L	00000701	1
12	HS110N	STEP, 8', TWIN SEAT, 4 TREAD	HS110N	HS110N	1

UNLESS OTHERWISE SPECIFIED

DESIGNED BY: BUMPHREY
 DETAILED BY: RSANVICENTE
 LAST REVISED BY: hyeng
 MATERIAL:

CREATION DATE: 10/5/2011
 DETAILED DATE: 1/25/2018
 LAST REVISED DATE: 1/25/2018

WEIGHT: 380752.58 lbs
 VOLUME: Inch³
 COLOR:
 HEAT TREAT:
 FINISH:
 TEXTURE:

DIMENSIONS ARE IN INCHES
 TOLERANCES
 DECIMALS: X ± .1
 XX ± .01
 XXX ± .001
 XXXX ± .0005

ANGULAR: X ± 0.5
 THIRD ANGLE PROJECTION

ENGINEERING DRAWING NUMBER: 00017404

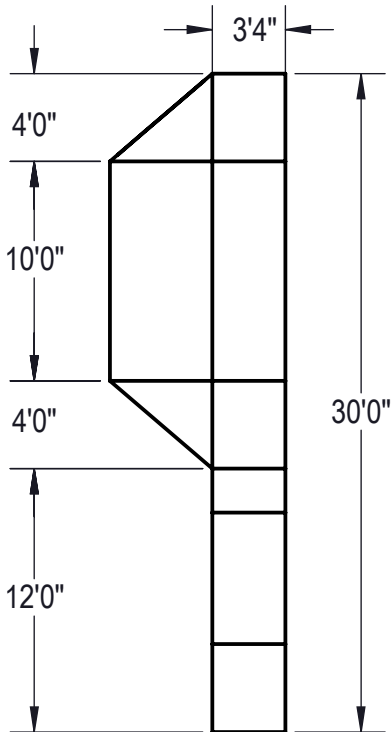
HYDRA POOLS

TITLE: LAYOUT, 18' X 43' X 30', TRUE L, LEFT, 4' RADIUS, 8' DEEP, HS110N, LIGHT, 3- INLET, 2- 1084, 600 SERIES

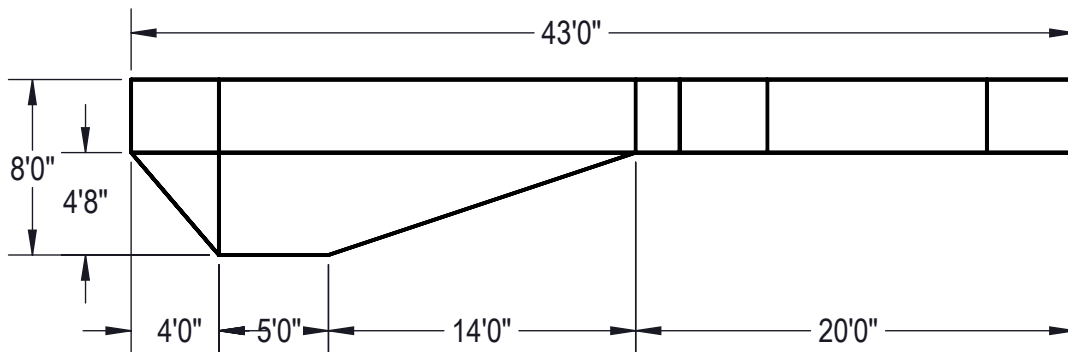
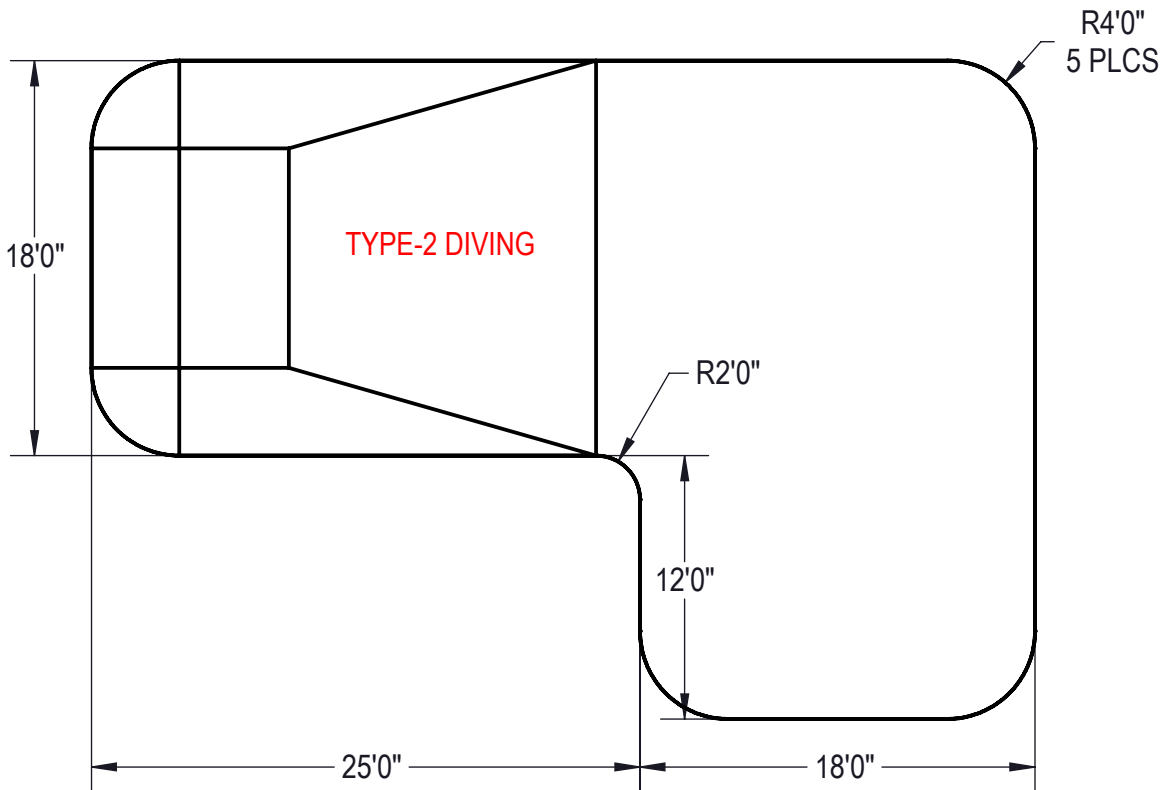
PART NUMBER: 00017404

SCALE: 1:192
 SHEET: 1 OF 4

SIZE: A



Area: 973.69ft ^2
Perimeter: 136.56ft
Volume = 31460 US gallons



NOTES:

1. THESE ARE FINISHED DIMENSIONS READY FOR THE LINER.
2. DIMENSIONS ARE FROM INSIDE POOL PANELS.
3. ROPE AND FLOAT ASSEMBLY SHOULD BE INSTALLED IN ACCORDANCE WITH CURRENT ANSI/ASPS/ICC REGULATIONS
4. HYDRA LINER TRACK FOR STEPS IS INSTALLED WITH THE BARB FACING THE RISER WALL ON THE STEP.

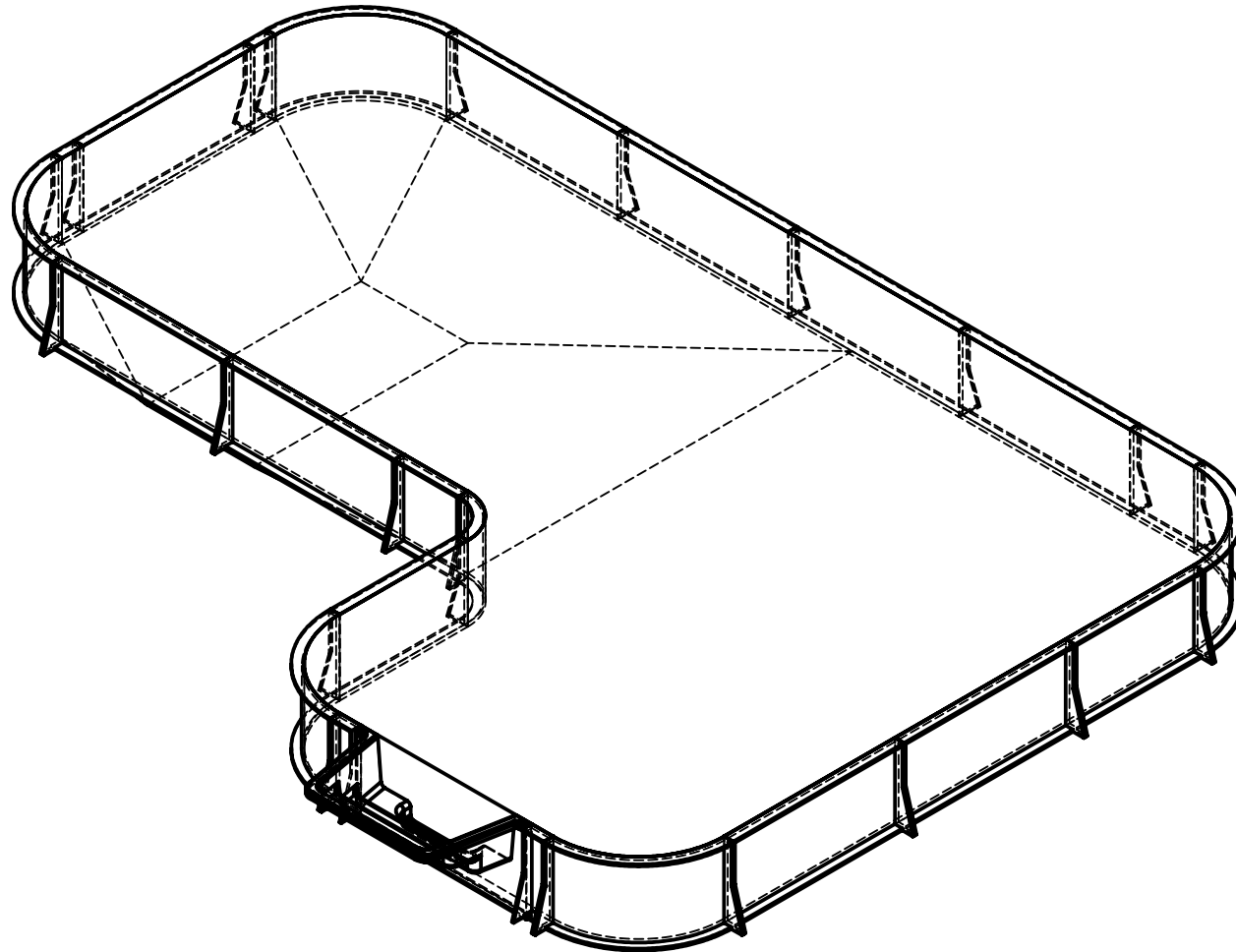
EXCAVATION NOTES:


5. ROUGH EXCAVATION SHOULD BE 2" DEEPER IN EACH INSTANCE.
6. SOIL TO HAVE MINIMUM BEARING CAPACITY OF 1500 PSF.
7. LOCATE TOP OF POOL AT LEAST 6" ABOVE THE SURROUNDING LAND ELEVATION.
8. SEE "OVER DIG DETAIL" FOR EXCAVATION AROUND POOL.
9. FILL VOIDS UNDER BASE OF PANELS AND TAMP WELL.
10. BACK FILL WITH NON-EXPANSIVE MATERIAL.
11. FOLLOW ALL CURRENT ANSI / APSP / ICC GUIDELINES FOR RESIDENTIAL POOLS

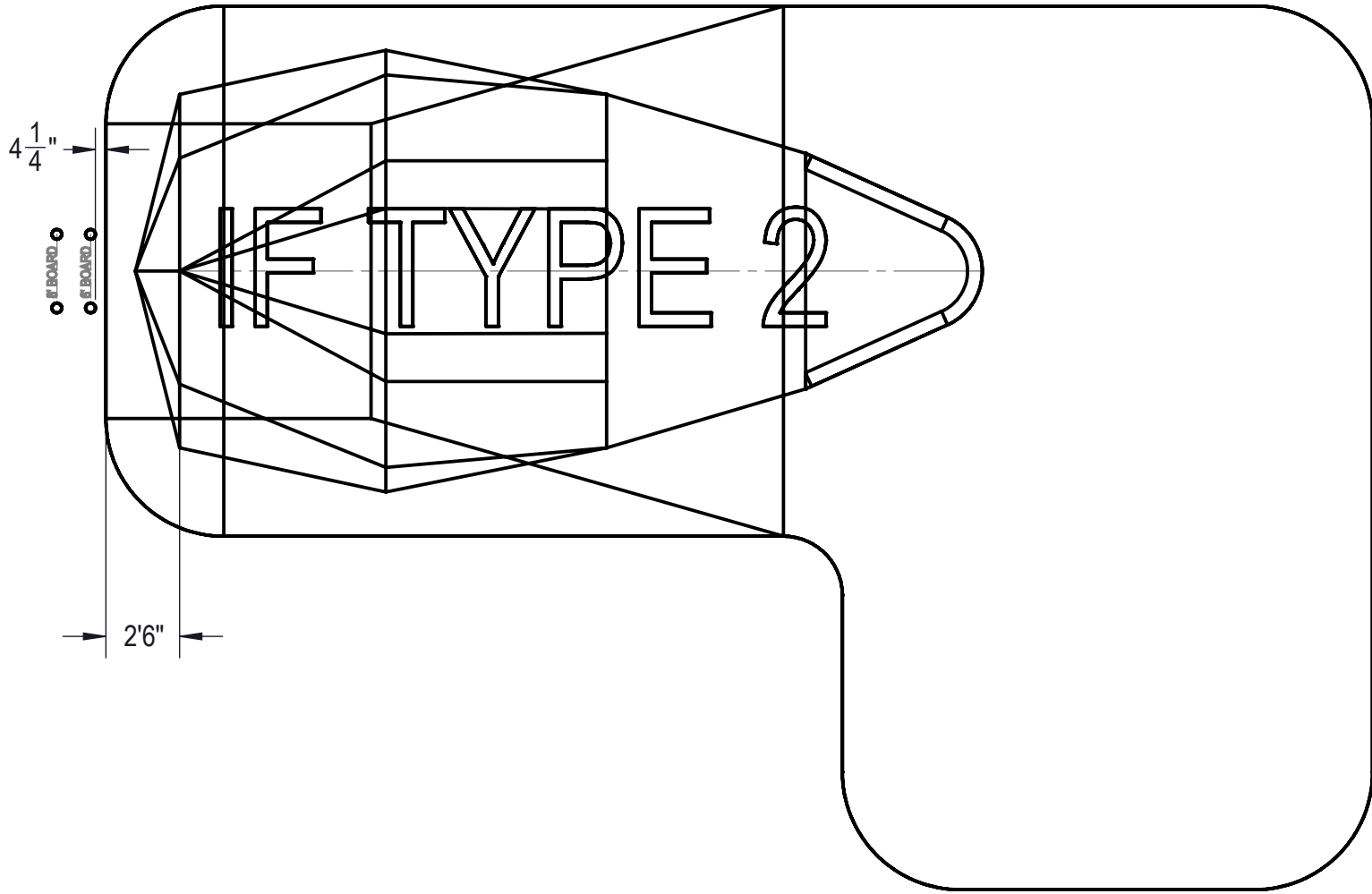
IMPORTANT NOTES:


THIS DOCUMENT IS FOR ILLUSTRATIVE PURPOSES ONLY. THE DEALER OR CONTRACTOR WHO SELLS OR INSTALLS YOUR POOL IS AN INDEPENDENT CONTRACTOR AND IS NOT AN AGENT OF THE MANUFACTURER. THE CONSTRUCTION METHODS ILLUSTRATED HERE ARE SUGGESTIONS AND APPLY ONLY TO NORMAL GROUND CONDITIONS. THERE MAY BE ADDITIONAL PRECAUTIONS AND/OR METHODS OF CONSTRUCTION. PROPER INSTALLATION IS THE RESPONSIBILITY OF THE DEALER/BUILDER/CONTRACTOR.

ENGINEERING DRAWING NUMBER: 00017404	WEIGHT: 119089599.36	UNLESS OTHERWISE SPECIFIED DIMENSIONS ARE IN INCHES TOLERANCES DECIMALS: X ± .1 XX ± .01 XXX ± .001 XXXX ± .0005 ANGULAR: X ± 0.5 THIRD ANGLE PROJECTION	DESIGNED BY: BUMPHREY	CREATION DATE: 2/19/2013	HYDRA POOLS	
	lbs VOLUME: 119089599362.00		DETAILED BY: RSANVICENTE	DETAILED DATE: 1/25/2018		
	finch COLOR: NA		LAST REVISED BY: hyeng	LAST REVISED DATE: 1/25/2018	TITLE: LAYOUT, 18' X 43' X 30', TRUE L, LEFT, 4' RADIUS, 8' DEEP, HS110N, LIGHT, 3- INLET, 2- 1084, 600 SERIES	
	HEAT TREAT: NA		MATERIAL: Material <not specified>			
FINISH: NA			PART NUMBER: 00017404		SCALE: 1:128	SIZE: A
TEXTURE: NA					SHEET: 2 OF 4	



ENGINEERING DRAWING NUMBER: 00017404	WEIGHT: 380752.58 lbs	UNLESS OTHERWISE SPECIFIED DIMENSIONS ARE IN INCHES TOLERANCES DECIMALS: X ± .1 XX ± .01 XXX ± .001 XXXX ± .0005 ANGULAR: X ± 0.5 THIRD ANGLE PROJECTION 	DESIGNED BY: BUMPHREY	CREATION DATE: 10/5/2011	HYDRA POOLS	
	VOLUME: Inch³		DETAILED BY: RSANVICENTE	DETAILED DATE: 1/25/2018		
	COLOR:		LAST REVISED BY: hyeng	LAST REVISED DATE: 1/25/2018		
	HEAT TREAT:		MATERIAL:		TITLE: LAYOUT, 18' X 43' X 30', TRUE L, LEFT, 4' RADIUS, 8' DEEP, HS110N, LIGHT, 3- INLET, 2- 1084, 600 SERIES	
	FINISH:					
	TEXTURE:				PART NUMBER:	SCALE: 1:128
			00017404		SHEET: 3 OF 4	



ENGINEERING DRAWING NUMBER: 00017404	WEIGHT: 380752.58 lbs	UNLESS OTHERWISE SPECIFIED DIMENSIONS ARE IN INCHES TOLERANCES DECIMALS: X ± .1 XX ± .01 XXX ± .001 XXXX ± .0005 ANGULAR: X ± 0.5 THIRD ANGLE PROJECTION 	DESIGNED BY: BUMPHREY	CREATION DATE: 10/5/2011	HYDRA POOLS TITLE: LAYOUT, 18' X 43' X 30', TRUE L, LEFT, 4' RADIUS, 8' DEEP, HS110N, LIGHT, 3- INLET, 2- 1084, 600 SERIES
	VOLUME: Inch ³		DETAILED BY: RSANVICENTE	DETAILED DATE: 1/25/2018	
	COLOR:		LAST REVISED BY: hyeng	LAST REVISED DATE: 1/25/2018	
	HEAT TREAT:		MATERIAL:		
	FINISH:		PART NUMBER:		
	TEXTURE:		00017404		
	SCALE: 1:128	SIZE: A			
	SHEET: 4 OF 4				