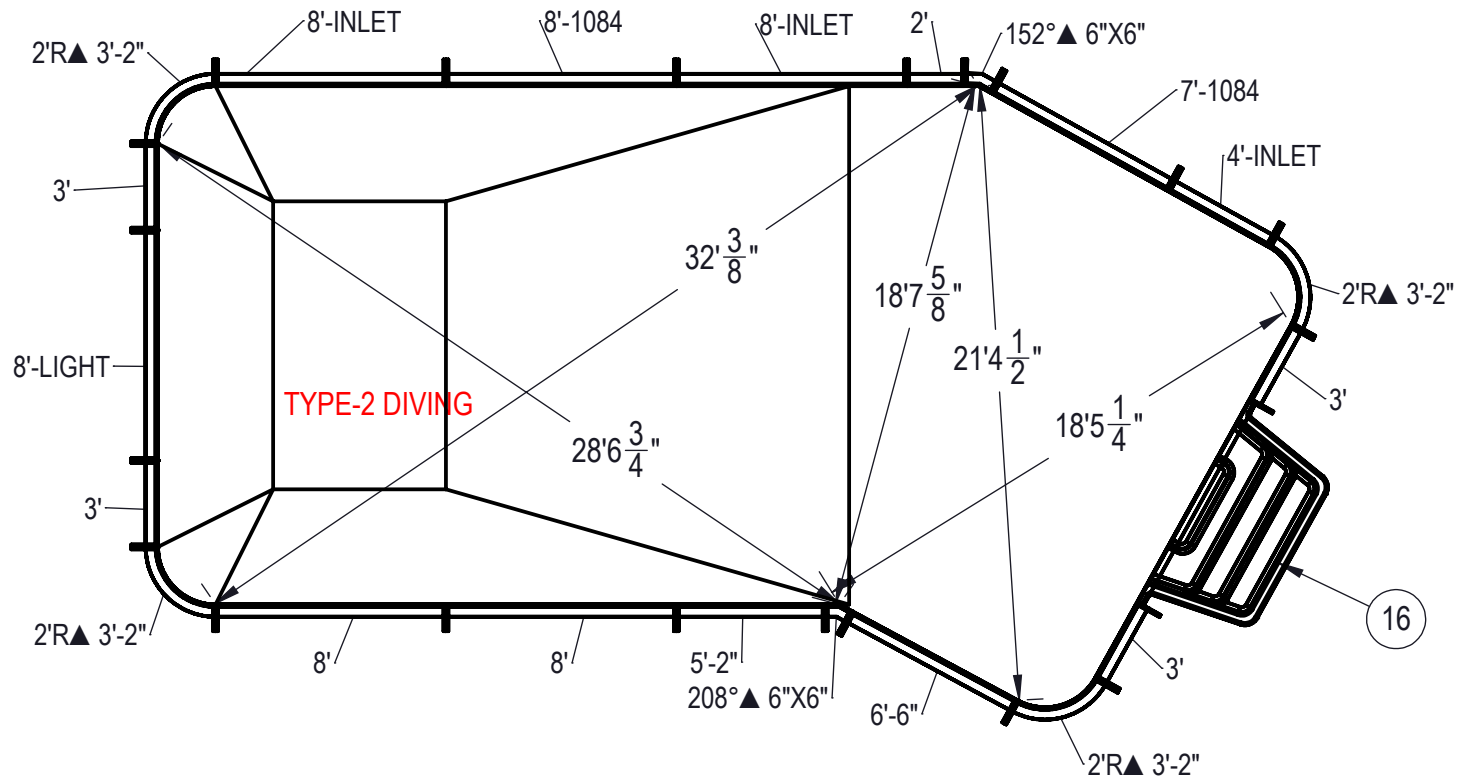


REVISION HISTORY				
REV.	DESCRIPTION	DATE	ECO	BY



NOTES:

- THESE ARE FINISHED DIMENSIONS READY FOR THE LINER.
- DIMENSIONS ARE FROM INSIDE POOL PANELS.
- ROPE AND FLOAT ASSEMBLY SHOULD BE INSTALLED IN ACCORDANCE WITH CURRENT ANSI/ASPS/ICC REGULATIONS
- HYDRA LINER TRACK FOR STEPS IS INSTALLED WITH THE BARB FACING THE RISER WALL ON THE STEP.


EXCAVATION NOTES:

- ROUGH EXCAVATION SHOULD BE 2" DEEPER IN EACH INSTANCE.
- SOIL TO HAVE MINIMUM BEARING CAPACITY OF 1500 PSF.
- LOCATE TOP OF POOL AT LEAST 6" ABOVE THE SURROUNDING LAND ELEVATION.
- SEE "OVER DIG DETAIL" FOR EXCAVATION AROUND POOL.
- FILL VOIDS UNDER BASE OF PANELS AND TAMP WELL.
- BACK FILL WITH NON-EXPANSIVE MATERIAL.
- FOLLOW ALL CURRENT ANSI / APSP / ICC GUIDELINES FOR RESIDENTIAL POOLS

IMPORTANT NOTES:

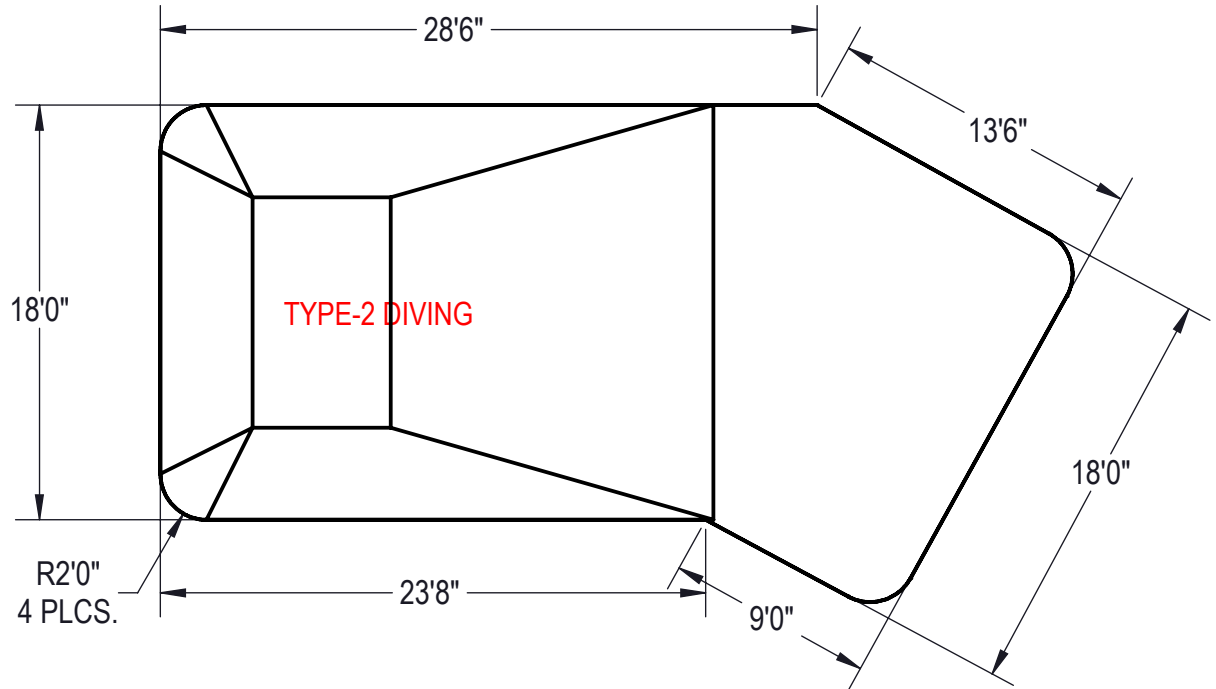
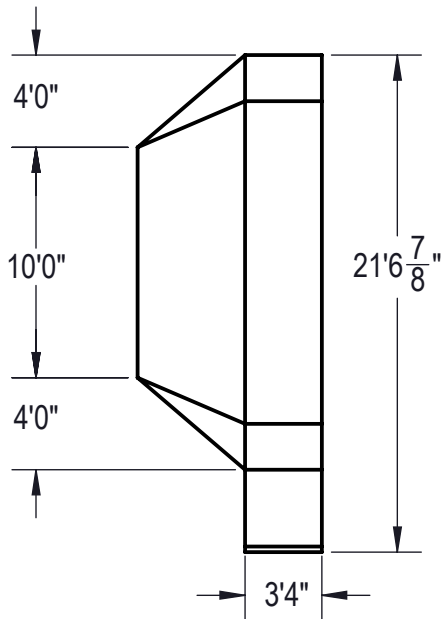
THIS DOCUMENT IS FOR ILLUSTRATIVE PURPOSES ONLY. THE DEALER OR CONTRACTOR WHO SELLS OR INSTALLS YOUR POOL IS AN INDEPENDENT CONTRACTOR AND IS NOT AN AGENT OF THE MANUFACTURER. THE CONSTRUCTION METHODS ILLUSTRATED HERE ARE SUGGESTIONS AND APPLY ONLY TO NORMAL GROUND CONDITIONS. THERE MAY BE ADDITIONAL PRECAUTIONS AND/OR METHODS OF CONSTRUCTION. PROPER INSTALLATION IS THE RESPONSIBILITY OF THE DEALER/BUILDER/CONTRACTOR.

ITEM	FILE NAME	DESCRIPTION	CUSTOMER DRAWING #	VENDOR PART #	QTY.
1	BOLT, PACK	BOLT, FLANGE, 3/8-16 X 1", PACK (50)	HPS1916	HPS1916	5
2	SBRACE	BRACE, FOLD OVER WITH TURNBUCKLE, STEEL, HPSFOB	HPSFOB	HPSFOB	22
3	PANEL, ANGLE	PANEL, ANGLE, 6" X 6" X 152°, 600 SERIES	HPSDLL	00001675	1
4	PANEL, ANGLE	PANEL, ANGLE, 6" X 6" X 208°, 600 SERIES	HPSDLLR	00001673	1
5	PANEL, STRAIGHT	PANEL, 2' LONG, 600 SERIES	HPSD102P	00000639	1
6	PANEL, RADIUS	PANEL, 2' RADIUS, 3-2" LONG, 600 SERIES	HPSD2R	00000287	4
7	PANEL, STRAIGHT	PANEL, 3' LONG, 600 SERIES	HPSD103P	00000643	4
8	PANEL, STRAIGHT	PANEL, 4' LONG, INLET, 600 SERIES	HPSE104I	00000281	1
9	PANEL, STRAIGHT	PANEL, 5-2" LONG, 600 SERIES	HPSCS6	00005967	1
10	PANEL, STRAIGHT	PANEL, 6-6" LONG, 600 SERIES	HPSD1066P	00000678	1
11	PANEL, STRAIGHT	PANEL, 7' LONG, 1084, 600 SERIES	HPS10784	00001783	1
12	PANEL, STRAIGHT	PANEL, 8' LONG, 1084, 600 SERIES	HPSD10884	00002006	1
13	PANEL, STRAIGHT	PANEL, 8' LONG, 600 SERIES	HPSD108P	00000687	2
14	PANEL, STRAIGHT	PANEL, 8' LONG, INLET, 600 SERIES	HPSD108I	00000699	2
15	PANEL, STRAIGHT	PANEL, 8' LONG, LIGHT, 600 SERIES	HPSD108L	00000701	1
16	HS110N	STEP, 8", TWIN SEAT, 4 TREAD	HS110N	HS110N	1

ENGINEERING DRAWING NUMBER: 00017102	WEIGHT: 316488.0 lbs	UNLESS OTHERWISE SPECIFIED DIMENSIONS ARE IN INCHES TOLERANCES DECIMALS: X ± .1 XX ± .01 XXX ± .001 XXXX ± .0005 ANGULAR: X ± 0.5 THIRD ANGLE PROJECTION 
	VOLUME: Inch³	
	COLOR:	
	HEAT TREAT:	
	FINISH:	
	TEXTURE:	

DESIGNED BY: BUMPHREY	CREATION DATE: 3/15/2013
DETAILED BY: BUMPHREY	DETAILED DATE: 1/4/2017
LAST REVISED BY: bumphrey	LAST REVISED DATE: 1/4/2018
MATERIAL:	

HYDRA POOLS	
TITLE: LAYOUT, 18' X 39'-7", LAZY L, LEFT, 2' RADIUS, 8' DEEP, HS110N, LIGHT, 2-1084, 3-INLET, 600 SERIES	
PART NUMBER: 00017102	SCALE: 1:192 SHEET: 1 OF 4 SIZE: A



Area: 669.06ft ^2
Perimeter: 107.23ft
Volume = 24413 US gallons

NOTES:

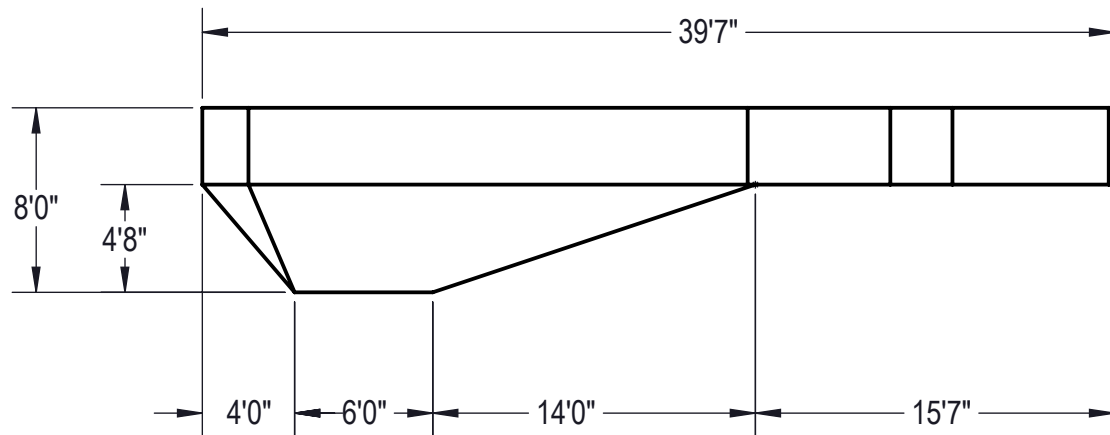
1. THESE ARE FINISHED DIMENSIONS READY FOR THE LINER.
2. DIMENSIONS ARE FROM INSIDE POOL PANELS.
3. ROPE AND FLOAT ASSEMBLY SHOULD BE INSTALLED IN ACCORDANCE WITH CURRENT ANSI/ASPS/ICC REGULATIONS
4. HYDRA LINER TRACK FOR STEPS IS INSTALLED WITH THE BARB FACING THE RISER WALL ON THE STEP.

EXCAVATION NOTES:

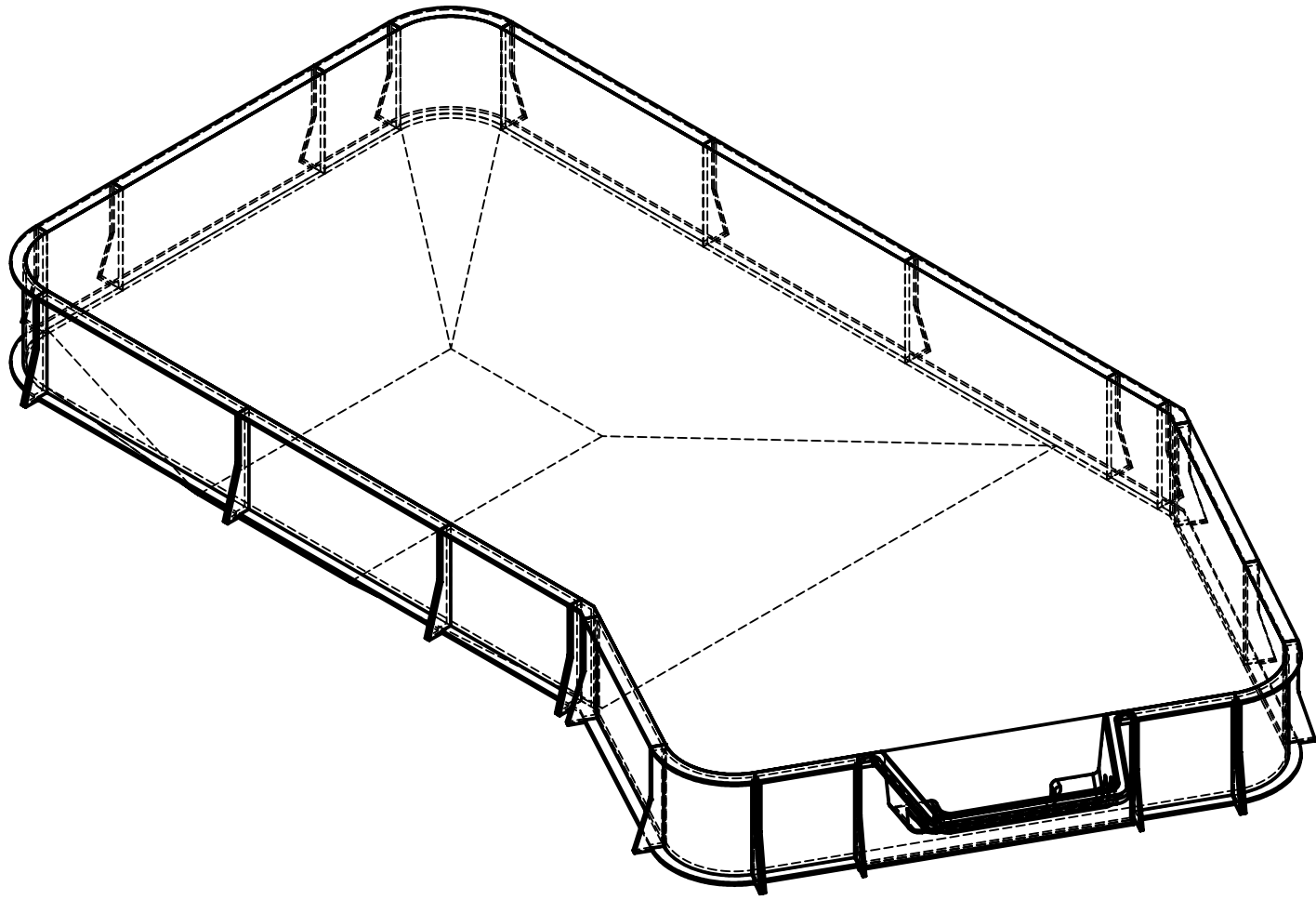
5. ROUGH EXCAVATION SHOULD BE 2" DEEPER IN EACH INSTANCE.
6. SOIL TO HAVE MINIMUM BEARING CAPACITY OF 1500 PSF.
7. LOCATE TOP OF POOL AT LEAST 6" ABOVE THE SURROUNDING LAND ELEVATION.
8. SEE "OVER DIG DETAIL" FOR EXCAVATION AROUND POOL.
9. FILL VOIDS UNDER BASE OF PANELS AND TAMP WELL.
10. BACK FILL WITH NON-EXPANSIVE MATERIAL.
11. FOLLOW ALL CURRENT ANSI / APSP / ICC GUIDELINES FOR RESIDENTIAL POOLS


IMPORTANT NOTES:

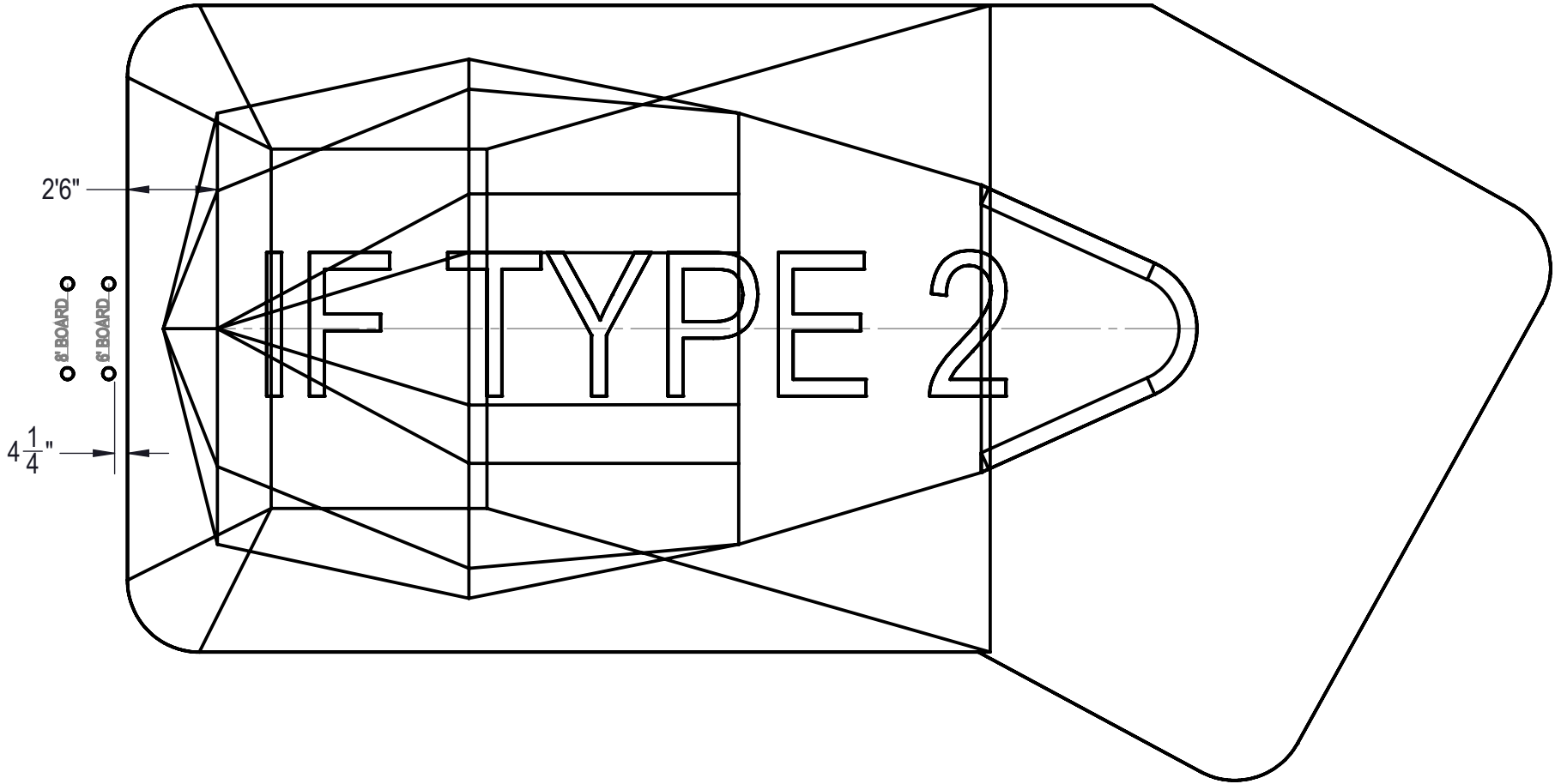
THIS DOCUMENT IS FOR ILLUSTRATIVE PURPOSES ONLY. THE DEALER OR CONTRACTOR WHO SELLS OR INSTALLS YOUR POOL IS AN INDEPENDENT CONTRACTOR AND IS NOT AN AGENT OF THE MANUFACTURER. THE CONSTRUCTION METHODS ILLUSTRATED HERE ARE SUGGESTIONS AND APPLY ONLY TO NORMAL GROUND CONDITIONS. THERE MAY BE ADDITIONAL PRECAUTIONS AND/OR METHODS OF CONSTRUCTION. PROPER INSTALLATION IS THE RESPONSIBILITY OF THE DEALER/BUILDER/CONTRACTOR.




ENGINEERING DRAWING NUMBER: 00017102	WEIGHT: 203735.869 lbs	UNLESS OTHERWISE SPECIFIED DIMENSIONS ARE IN INCHES TOLERANCES DECIMALS: X ± .1 XX ± .01 XXX ± .001 XXXX ± .0005 ANGULAR: X ± 0.5 THIRD ANGLE PROJECTION	DESIGNED BY: BUMPHREY	CREATION DATE: 3/15/2013	HYDRA POOLS		
	VOLUME: 5639391.041 Inch ³		DETAILED BY: BUMPHREY	DETAILED DATE: 1/4/2017			
	COLOR: NA		HEAT TREAT: NA	LAST REVISED BY: bumphrey	LAST REVISED DATE: 1/4/2018	TITLE: LAYOUT, 18' X 39'-7", LAZY L, LEFT, 2' RADIUS, 8' DEEP, HS110N, LIGHT, 2-1084, 3-INLET, 600 SERIES	
	FINISH: NA		TEXTURE: NA	MATERIAL: Material <not specified>	PART NUMBER: 00017102		
				SHEET: 2 OF 4			



ENGINEERING DRAWING NUMBER: 00017102	WEIGHT: 316488.0 lbs	UNLESS OTHERWISE SPECIFIED DIMENSIONS ARE IN INCHES TOLERANCES DECIMALS: X ± .1 XX ± .01 XXX ± .001 XXXX ± .0005 ANGULAR: X ± 0.5 THIRD ANGLE PROJECTION 	DESIGNED BY: BUMPHREY	CREATION DATE: 3/15/2013	HYDRA POOLS			
	VOLUME: Inch ³		DETAILED BY: BUMPHREY	DETAILED DATE: 1/4/2017				
	COLOR:		LAST REVISED BY: bumphrey	LAST REVISED DATE: 1/4/2018				
	HEAT TREAT:		MATERIAL:		TITLE: LAYOUT, 18' X 39'-7", LAZY L, LEFT, 2' RADIUS, 8' DEEP, HS110N, LIGHT, 2-1084, 3-INLET, 600 SERIES			
	FINISH:				PART NUMBER:		SCALE: 1:128	SIZE: A
	TEXTURE:				00017102		SHEET: 3 OF 4	



ENGINEERING DRAWING NUMBER: 00017102	WEIGHT:	316488.0 lbs	UNLESS OTHERWISE SPECIFIED DIMENSIONS ARE IN INCHES TOLERANCES DECIMALS: X ± .1 XX ± .01 XXX ± .001 XXXX ± .0005 ANGULAR: X ± 0.5 THIRD ANGLE PROJECTION 	DESIGNED BY:	BUMPHREY	CREATION DATE:	3/15/2013	HYDRA POOLS					
	VOLUME:	Inch ³		DETAILED BY:	BUMPHREY	DETAILED DATE:	1/4/2017						
	COLOR:			LAST REVISED BY:	bumphrey	LAST REVISED DATE:	1/4/2018		TITLE:	LAYOUT, 18' X 39'-7", LAZY L, LEFT, 2' RADIUS, 8' DEEP, HS110N, LIGHT, 2-1084, 3-INLET, 600 SERIES			
	HEAT TREAT:			MATERIAL:				PART NUMBER:	00017102	SCALE:	1:128	SIZE:	A
	FINISH:							SHEET:	4 OF 4				
	TEXTURE:												