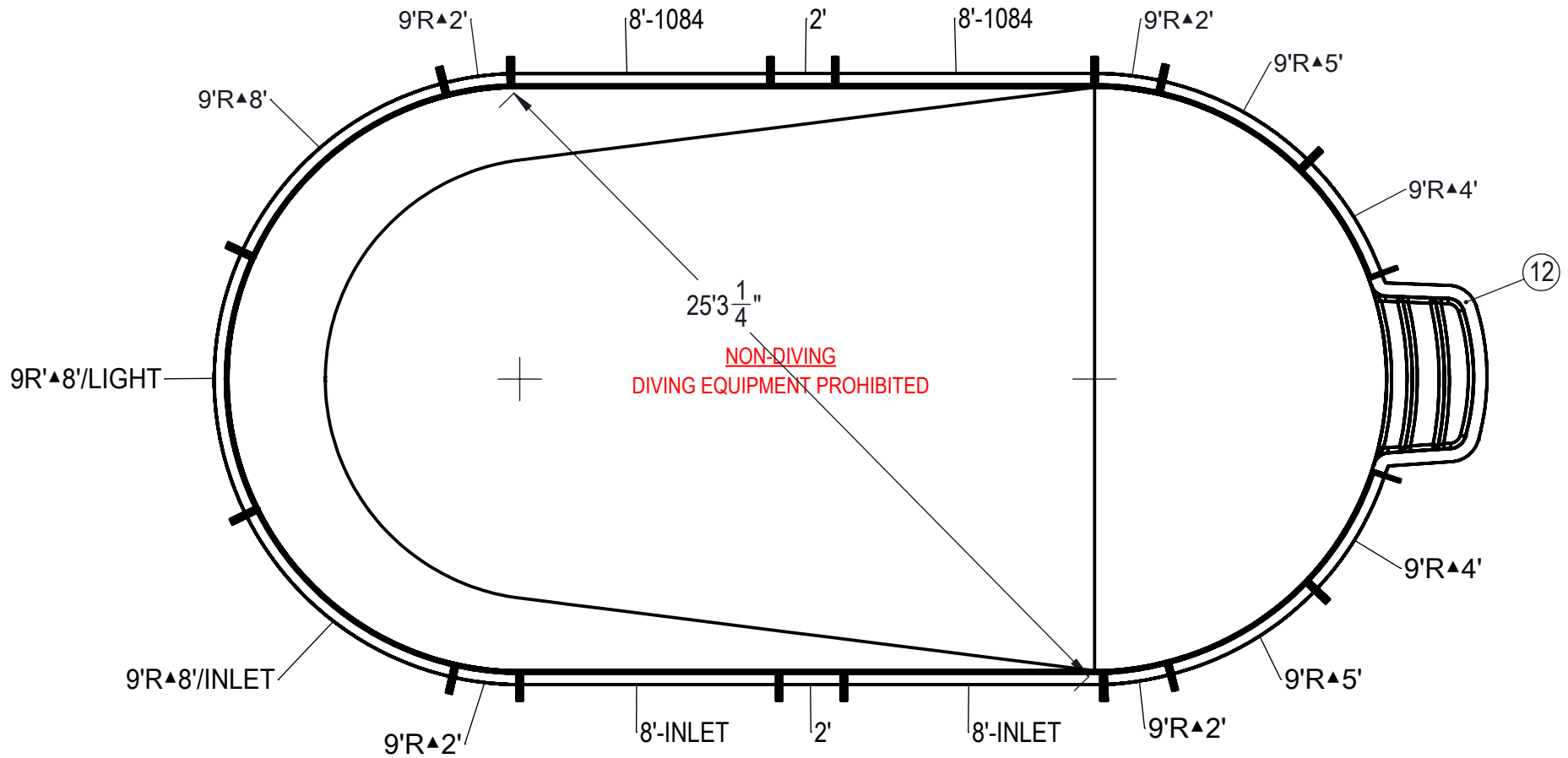


REVISION HISTORY				
REV.	DESCRIPTION	DATE	ECO	BY



**NOTES:**

- THESE ARE FINISHED DIMENSIONS READY FOR THE LINER.
- DIMENSIONS ARE FROM INSIDE POOL PANELS.
- ROPE AND FLOAT ASSEMBLY SHOULD BE INSTALLED IN ACCORDANCE WITH CURRENT ANSI/ASPS/ICC REGULATIONS
- HYDRA LINER TRACK FOR STEPS IS INSTALLED WITH THE BARB FACING THE RISER WALL ON THE STEP.

**EXCAVATION NOTES:**

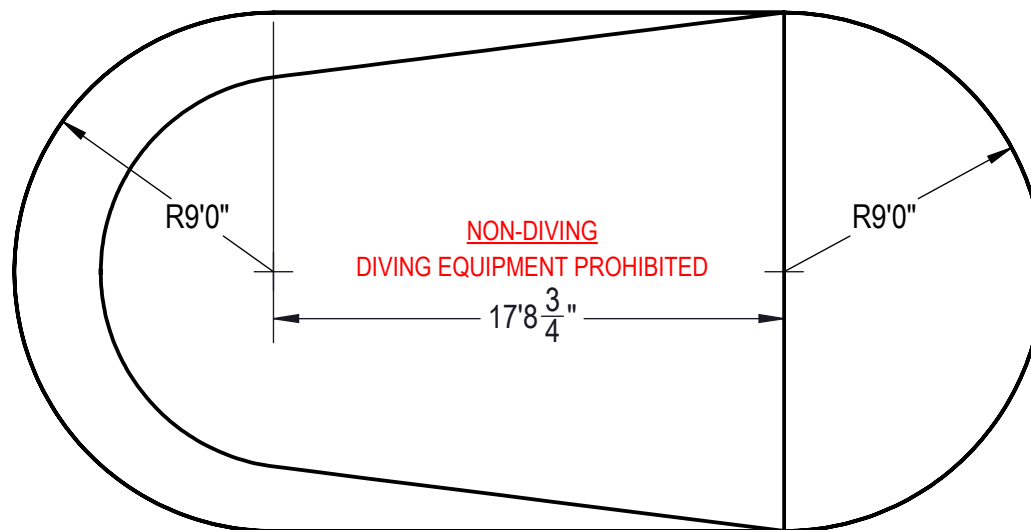
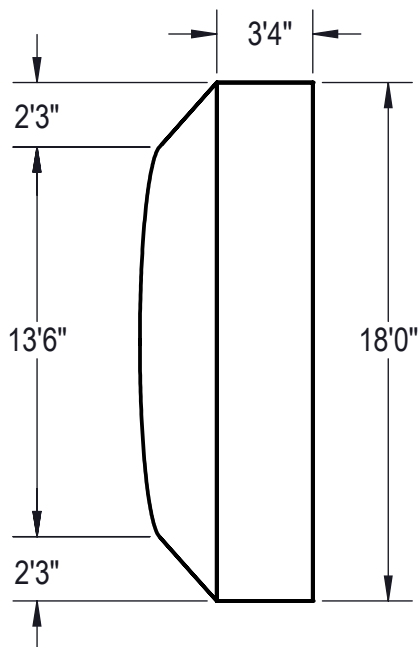
- ROUGH EXCAVATION SHOULD BE 2" DEEPER IN EACH INSTANCE.
- SOIL TO HAVE MINIMUM BEARING CAPACITY OF 1500 PSF.
- LOCATE TOP OF POOL AT LEAST 6" ABOVE THE SURROUNDING LAND ELEVATION.
- SEE "OVER DIG DETAIL" FOR EXCAVATION AROUND POOL.
- FILL VOIDS UNDER BASE OF PANELS AND TAMP WELL.
- BACK FILL WITH NON-EXPANSIVE MATERIAL.
- FOLLOW ALL CURRENT ANSI / AASP / ICC GUIDELINES FOR RESIDENTIAL POOLS

**IMPORTANT NOTES:**

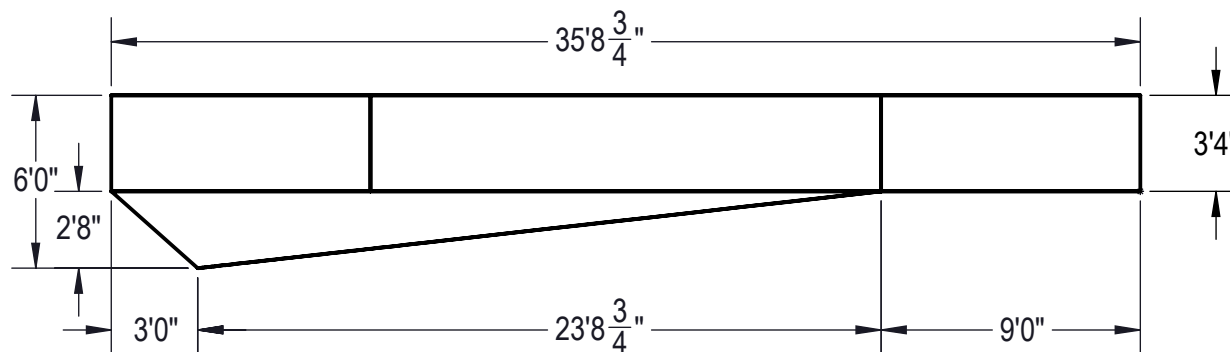
THIS DOCUMENT IS FOR ILLUSTRATIVE PURPOSES ONLY. THE DEALER OR CONTRACTOR WHO SELLS OR INSTALLS YOUR POOL IS AN INDEPENDENT CONTRACTOR AND IS NOT AN AGENT OF THE MANUFACTURER. THE CONSTRUCTION METHODS ILLUSTRATED HERE ARE SUGGESTIONS AND APPLY ONLY TO NORMAL GROUND CONDITIONS. THERE MAY BE ADDITIONAL PRECAUTIONS AND/OR METHODS OF CONSTRUCTION. PROPER INSTALLATION IS THE RESPONSIBILITY OF THE DEALER/BUILDER/CONTRACTOR.

ITEM	FILE NAME	DESCRIPTION	CUSTOMER DRAWING #	VENDOR PART #	QTY.
1	BOLT, PACK	BOLT, FLANGE, 3/8-16 X 1", PACK (50)	HPS1916	HPS1916	5
2	SBRACE	BRACE, FOLD OVER WITH TURNBUCKLE, STEEL, HPSFOB	HPSFOB	HPSFOB	18
3	PANEL, STRAIGHT	PANEL, 2' LONG, 600 SERIES	HPSD102P	00000821	2
4	PANEL, STRAIGHT	PANEL, 8' LONG, 1084, 600 SERIES	HPSD10884	00002006	2
5	PANEL, STRAIGHT	PANEL, 8' LONG, INLET, 600 SERIES	HPSD1081	00000699	2
6	PANEL, RADIUS	PANEL, 9' RADIUS, 2' LONG, 600 SERIES	HPSD9R2	00000349	4
7	PANEL, RADIUS	PANEL, 9' RADIUS, 4' LONG, 600 SERIES	HPSD9R4	00000353	2
8	PANEL, RADIUS	PANEL, 9' RADIUS, 5' LONG, 600 SERIES	HPSD9R5	00000354	2
9	PANEL, RADIUS	PANEL, 9' RADIUS, 8' LONG, 600 SERIES	HPSD9R8	00000395	1
10	PANEL, RADIUS	PANEL, 9' RADIUS, 8' LONG, LIGHT, 600 SERIES	HPSD9R8L	00000398	1
11	PANEL, RADIUS	PANEL, 9' RADIUS, 8', INLET OR LED, 600 SERIES	HPS9R8I	00000275	1
12	HS303N	STEP, 9' RADIUS, 3 TREAD, CANTILEVER	HS303N	HS303N	1

ENGINEERING DRAWING NUMBER: <b>00017200</b>	WEIGHT: 169671.6 lbs	<b>UNLESS OTHERWISE SPECIFIED</b> DIMENSIONS ARE IN INCHES TOLERANCES DECIMALS: X ± .1 XX ± .01 XXX ± .001 XXXX ± .0005  ANGULAR: X ± 0.5 THIRD ANGLE PROJECTION	DESIGNED BY: RCOLBOCH	CREATION DATE: 7/15/2013	<b>HYDRA POOLS</b>
	VOLUME: Inch³		DESIGNED BY: RSANVICENTE	DETAILED DATE: 1/11/2018	
	COLOR:		LAST REVISED BY: hyeng	LAST REVISED DATE: 1/11/2018	
	HEAT TREAT:		MATERIAL:	TITLE: LAYOUT, 18' X 35'-9", OVAL, WEDGE BOTTOM, 6' DEEP, HS303N, LIGHT, 2- 1084, 3- INLET, 600 SERIES	
	FINISH:				
TEXTURE:			PART NUMBER: <b>00017200</b>	SCALE: 1:128	SIZE: <b>A</b>



**Area: 573.59ft ^2**  
**Perimeter: 92.01ft**  
**Volume = 18096.41 US gallons**



**NOTES:**

1. THESE ARE FINISHED DIMENSIONS READY FOR THE LINER.
2. DIMENSIONS ARE FROM INSIDE POOL PANELS.
3. ROPE AND FLOAT ASSEMBLY SHOULD BE INSTALLED IN ACCORDANCE WITH CURRENT ANSI/ASPS/ICC REGULATIONS
4. HYDRA LINER TRACK FOR STEPS IS INSTALLED WITH THE BARB FACING THE RISER WALL ON THE STEP.

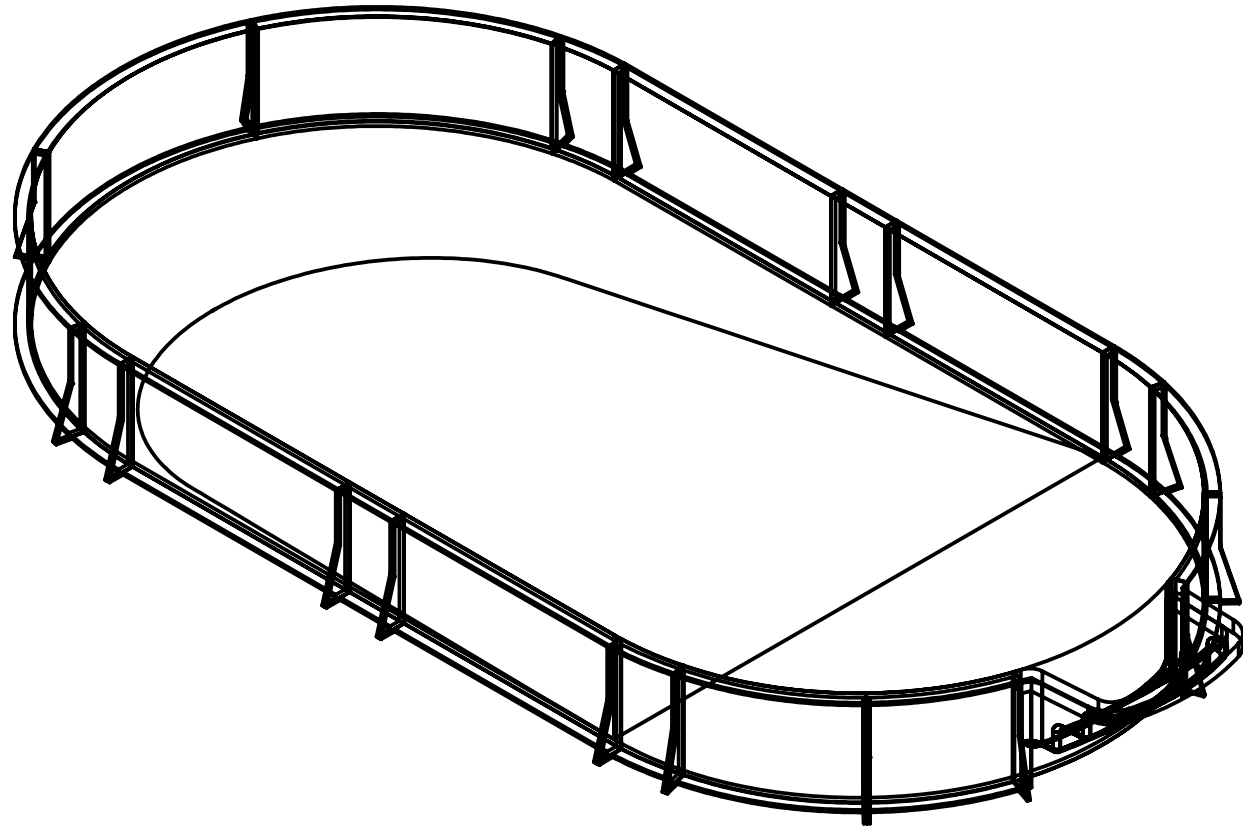
**EXCAVATION NOTES:**


5. ROUGH EXCAVATION SHOULD BE 2" DEEPER IN EACH INSTANCE.
6. SOIL TO HAVE MINIMUM BEARING CAPACITY OF 1500 PSF.
7. LOCATE TOP OF POOL AT LEAST 6" ABOVE THE SURROUNDING LAND ELEVATION.
8. SEE "OVER DIG DETAIL" FOR EXCAVATION AROUND POOL.
9. FILL VOIDS UNDER BASE OF PANELS AND TAMP WELL.
10. BACK FILL WITH NON-EXPANSIVE MATERIAL.
11. FOLLOW ALL CURRENT ANSI / ASPSP / ICC GUIDELINES FOR RESIDENTIAL POOLS

**IMPORTANT NOTES:**

THIS DOCUMENT IS FOR ILLUSTRATIVE PURPOSES ONLY. THE DEALER OR CONTRACTOR WHO SELLS OR INSTALLS YOUR POOL IS AN INDEPENDENT CONTRACTOR AND IS NOT AN AGENT OF THE MANUFACTURER. THE CONSTRUCTION METHODS ILLUSTRATED HERE ARE SUGGESTIONS AND APPLY ONLY TO NORMAL GROUND CONDITIONS. THERE MAY BE ADDITIONAL PRECAUTIONS AND/OR METHODS OF CONSTRUCTION. PROPER INSTALLATION IS THE RESPONSIBILITY OF THE DEALER/BUILDER/CONTRACTOR.

ENGINEERING DRAWING NUMBER: <b>00017200</b>	WEIGHT:	<b>UNLESS OTHERWISE SPECIFIED</b> DIMENSIONS ARE IN INCHES TOLERANCES DECIMALS: X ± .1 XX ± .01 XXX ± .001 XXXX ± .0005  ANGULAR: X ± 0.5 THIRD ANGLE PROJECTION	DESIGNED BY:	CREATION DATE:	<b>HYDRA POOLS</b>		
	lbs		RCOLBOCH	7/15/2013			
	VOLUME:			DETAILED BY:	DETAILED DATE:	TITLE: LAYOUT, 18' X 35'-9", OVAL, WEDGE BOTTOM, 6' DEEP, HS303N, LIGHT, 2- 1084, 3- INLET, 600 SERIES	
	Inch <sup>3</sup>			RSANVICENTE	1/11/2018		
COLOR:		LAST REVISED BY:	LAST REVISED DATE:	PART NUMBER: <div style="font-size: 2em; font-weight: bold;">00017200</div>			
NA		hyeng	1/11/2018			SCALE: 1:128	SIZE: A
HEAT TREAT:		MATERIAL:		SHEET: 2 OF 3			
NA							
FINISH:							
TEXTURE:							
NA							



ENGINEERING DRAWING NUMBER: <b>00017200</b>	WEIGHT: 169671.6 lbs	<b>UNLESS OTHERWISE SPECIFIED</b> DIMENSIONS ARE IN INCHES TOLERANCES DECIMALS: X ± .1 XX ± .01 XXX ± .001 XXXX ± .0005  ANGULAR: X ± 0.5 THIRD ANGLE PROJECTION 	DESIGNED BY: RCOLBOCH	CREATION DATE: 7/15/2013	<b>HYDRA POOLS</b>		
	VOLUME: Inch³		DETAILED BY: RSANVICENTE	DETAILED DATE: 1/11/2018			
	COLOR:		LAST REVISED BY: hyeng	LAST REVISED DATE: 1/11/2018			
	HEAT TREAT:		MATERIAL:		TITLE: LAYOUT, 18' X 35'-9", OVAL, WEDGE BOTTOM, 6' DEEP, HS303N, LIGHT, 2- 1084, 3- INLET, 600 SERIES		
	FINISH:				PART NUMBER:	SCALE: 1:128	<b>A</b>
	TEXTURE:				<b>00017200</b>	SHEET: 3 OF 3	