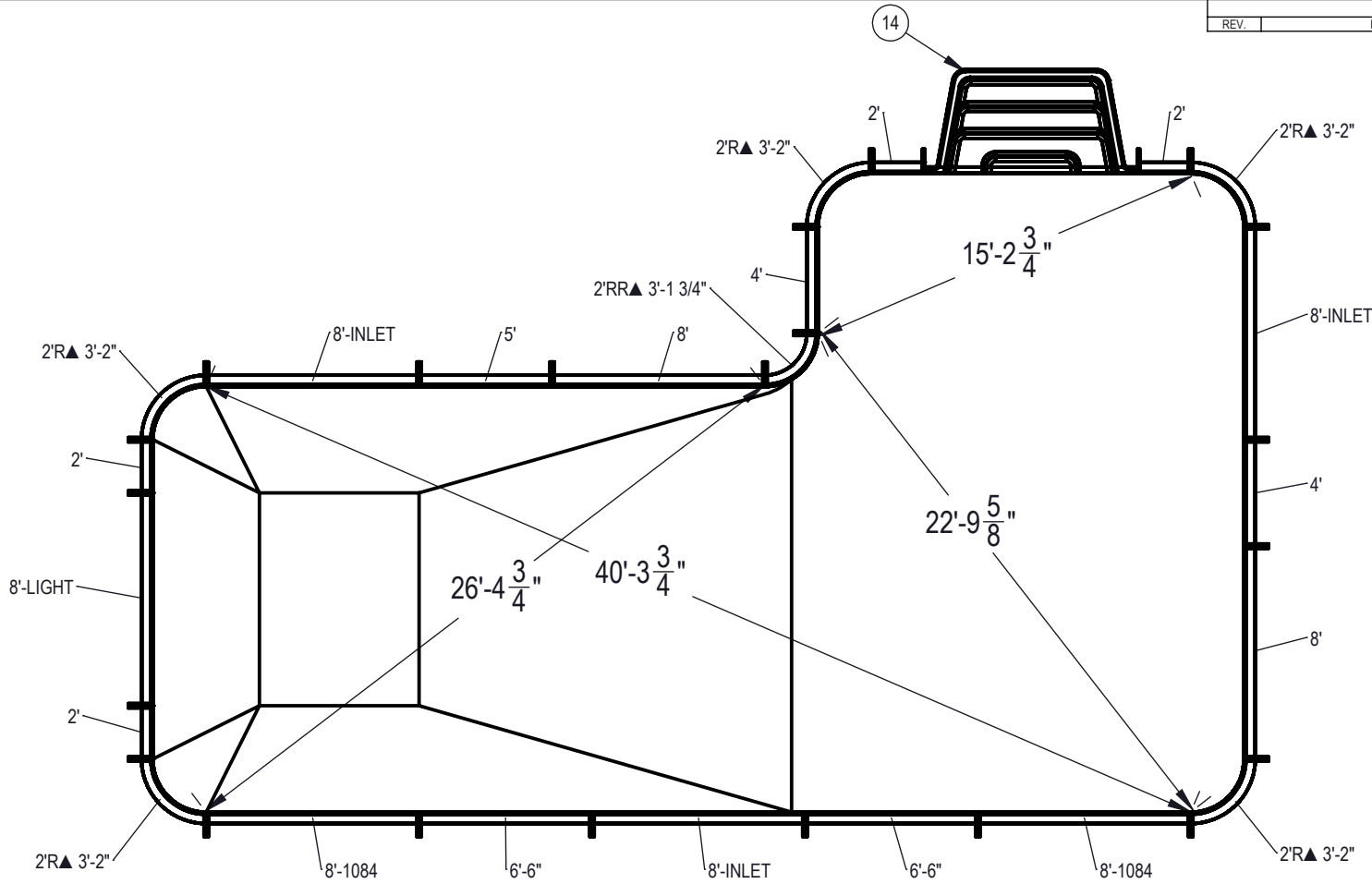


REVISION HISTORY				
REV.	DESCRIPTION	DATE	ECO	BY



**NOTES:**

- THESE ARE FINISHED DIMENSIONS READY FOR THE LINER.
- DIMENSIONS ARE FROM INSIDE POOL PANELS.
- ROPE AND FLOAT ASSEMBLY SHOULD BE INSTALLED IN ACCORDANCE WITH CURRENT ANSI/ASPS/ICC REGULATIONS
- HYDRA LINER TRACK FOR STEPS IS INSTALLED WITH THE BARB FACING THE RISER WALL ON THE STEP.

**EXCAVATION NOTES:**

- ROUGH EXCAVATION SHOULD BE 2" DEEPER IN EACH INSTANCE.
- SOIL TO HAVE MINIMUM BEARING CAPACITY OF 1500 PSF.
- LOCATE TOP OF POOL AT LEAST 6" ABOVE THE SURROUNDING LAND ELEVATION.
- SEE "OVER DIG DETAIL" FOR EXCAVATION AROUND POOL.
- FILL VOIDS UNDER BASE OF PANELS AND TAMP WELL.
- BACK FILL WITH NON-EXPANSIVE MATERIAL.
- FOLLOW ALL CURRENT ANSI / APSP / ICC GUIDELINES FOR RESIDENTIAL POOLS

**IMPORTANT NOTES:**

THIS DOCUMENT IS FOR ILLUSTRATIVE PURPOSES ONLY. THE DEALER OR CONTRACTOR WHO SELLS OR INSTALLS YOUR POOL IS AN INDEPENDENT CONTRACTOR AND IS NOT AN AGENT OF THE MANUFACTURER. THE CONSTRUCTION METHODS ILLUSTRATED HERE ARE SUGGESTIONS AND APPLY ONLY TO NORMAL GROUND CONDITIONS. THERE MAY BE ADDITIONAL PRECAUTIONS AND/OR METHODS OF CONSTRUCTION. PROPER INSTALLATION IS THE RESPONSIBILITY OF THE DEALER/BUILDER/CONTRACTOR.

ITEM	FILE NAME	DESCRIPTION	CUSTOMER DRAWING #	VENDOR PART #	QTY.
1	BOLT_PACK	BOLT, FLANGE, 3/8-16 X 1", PACK (50)	HPS1916	HPS1916	6
2	SBRACE	BRACE, FOLD OVER WITH TURNBUCKLE, STEEL, HPSFOB	HPSFOB	HPSFOB	24
3	00017046	LAYOUT, 16' X 41' X 24', TRUE L, RIGHT, 2' RADIUS, 8' DEEP, HS110N, LIGHT, 2-1084, 3-INLETS, 600 SERIES	00017046	00017046	1
4	PANEL_STRAIGHT	PANEL, 2' LONG, 600 SERIES	HPSD102P	00000639	4
5	PANEL_RADIUS	PANEL, 2' RADIUS, 3-2" LONG, 600 SERIES	HPSD2R	00000287	5
6	PANEL_RR	PANEL, 2' REVERSE RADIUS, 3-1 3/4" LONG, 600 SERIES	HPSD2RR	00000288	1
7	PANEL_STRAIGHT	PANEL, 4' LONG, 600 SERIES	HPSD104P	00000274	2
8	PANEL_STRAIGHT	PANEL, 5' LONG, 600 SERIES	HPSD105P	00000674	1
9	PANEL_STRAIGHT	PANEL, 6-6" LONG, 600 SERIES	HPSD1066P	00000678	2
10	PANEL_STRAIGHT	PANEL, 8' LONG, 1084, 600 SERIES	HPSD10884	00002006	2
11	PANEL_STRAIGHT	PANEL, 8' LONG, 600 SERIES	HPSD108P	00000687	2
12	PANEL_STRAIGHT	PANEL, 8' LONG, INLET, 600 SERIES	HPSD108I	00000699	3
13	PANEL_STRAIGHT	PANEL, 8' LONG, LIGHT, 600 SERIES	HPSD108L	00000701	1
14	HS110N	STEP, 8", TWIN SEAT, 4 TREAD	HS110N	HS110N	1

ENGINEERING DRAWING NUMBER: <b>00017046</b>	WEIGHT: 334397.9 lbs
	VOLUME: Inch <sup>3</sup>
	COLOR:
	HEAT TREAT:
	FINISH:
	TEXTURE:

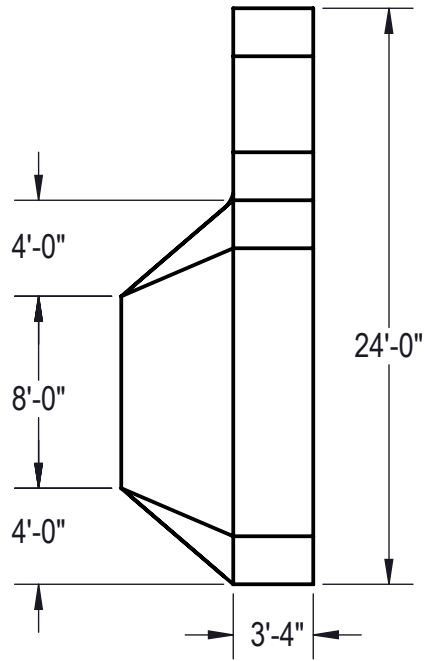
**UNLESS OTHERWISE SPECIFIED**  
 DIMENSIONS ARE IN INCHES  
 TOLERANCES  
 DECIMALS: X ± .1  
               XX ± .01  
               XXX ± .001  
               XXXX ± .0005  
 ANGULAR: X ± 0.5  
 THIRD ANGLE PROJECTION

DESIGNED BY: <b>BUMPHREY</b>	CREATION DATE: 7/1/2015
DETAILED BY: <b>BUMPHREY</b>	DETAILED DATE: 1/2/2017
LAST REVISED BY: <b>bumphrey</b>	LAST REVISED DATE: 1/2/2018
MATERIAL:	

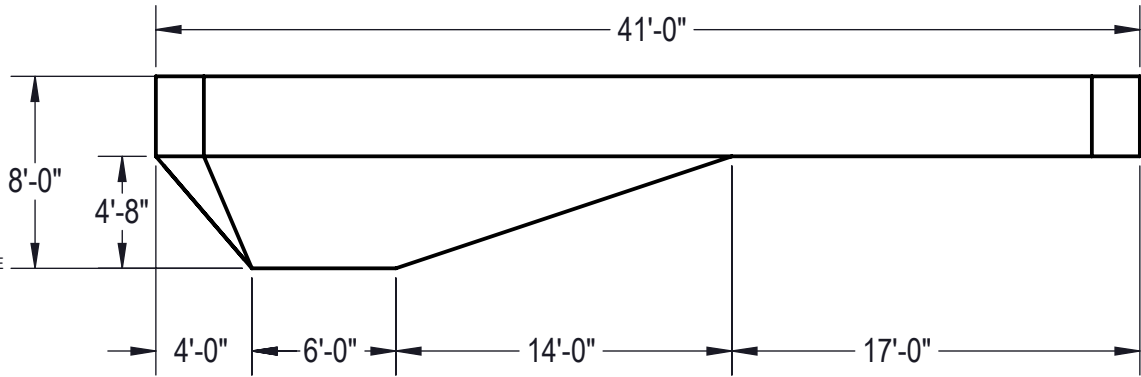
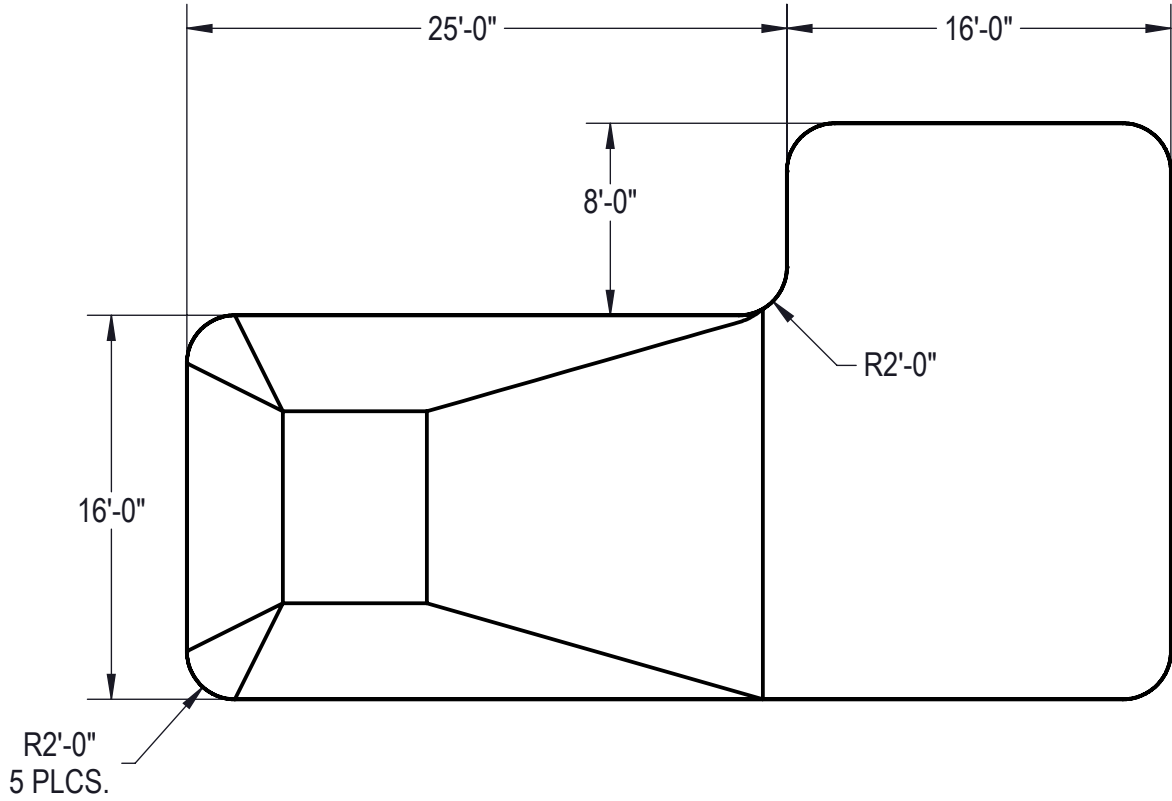
**HYDRA POOLS**

TITLE: LAYOUT, 16' X 41' X 24', TRUE L, RIGHT, 2' RADIUS, 8' DEEP, HS110N, LIGHT, 2-1084, 3-INLETS, 600 SERIES

PART NUMBER: <b>00017046</b>	SCALE: 1:96	SIZE: <b>A</b>
	SHEET: 1 OF 4	



**Area: 780.57ft ^2**  
**Perimeter: 124.85ft**  
**Volume = 26146 US gallons**



**NOTES:**

1. THESE ARE FINISHED DIMENSIONS READY FOR THE LINER.
2. DIMENSIONS ARE FROM INSIDE POOL PANELS.
3. ROPE AND FLOAT ASSEMBLY SHOULD BE INSTALLED IN ACCORDANCE WITH CURRENT ANSI/ASPS/ICC REGULATIONS
4. HYDRA LINER TRACK FOR STEPS IS INSTALLED WITH THE BARB FACING THE RISER WALL ON THE STEP.

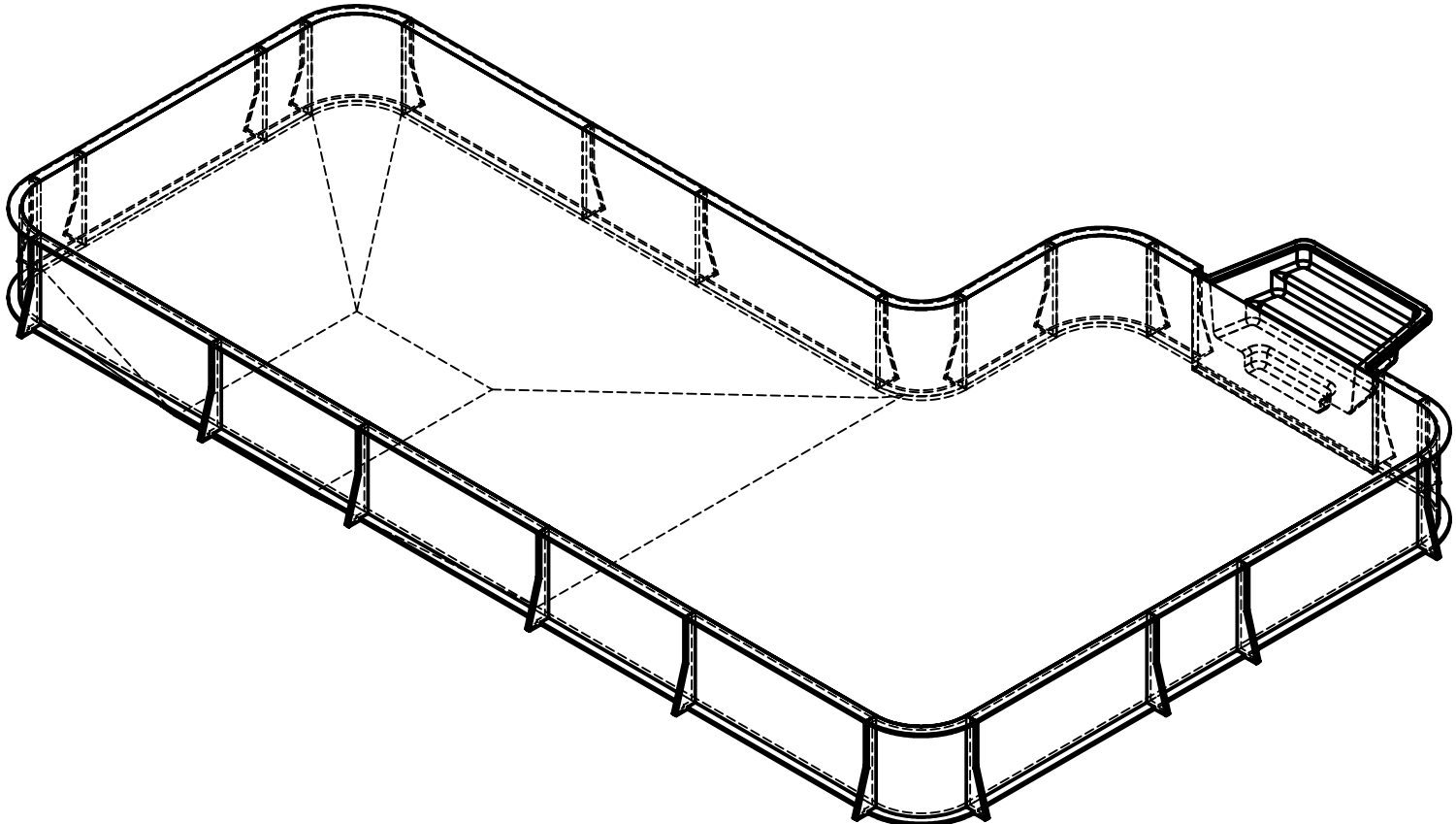
**EXCAVATION NOTES:**


5. ROUGH EXCAVATION SHOULD BE 2" DEEPER IN EACH INSTANCE.
6. SOIL TO HAVE MINIMUM BEARING CAPACITY OF 1500 PSF.
7. LOCATE TOP OF POOL AT LEAST 6" ABOVE THE SURROUNDING LAND ELEVATION.
8. SEE "OVER DIG DETAIL" FOR EXCAVATION AROUND POOL.
9. FILL VOIDS UNDER BASE OF PANELS AND TAMP WELL.
10. BACK FILL WITH NON-EXPANSIVE MATERIAL.
11. FOLLOW ALL CURRENT ANSI / APSP / ICC GUIDELINES FOR RESIDENTIAL POOLS

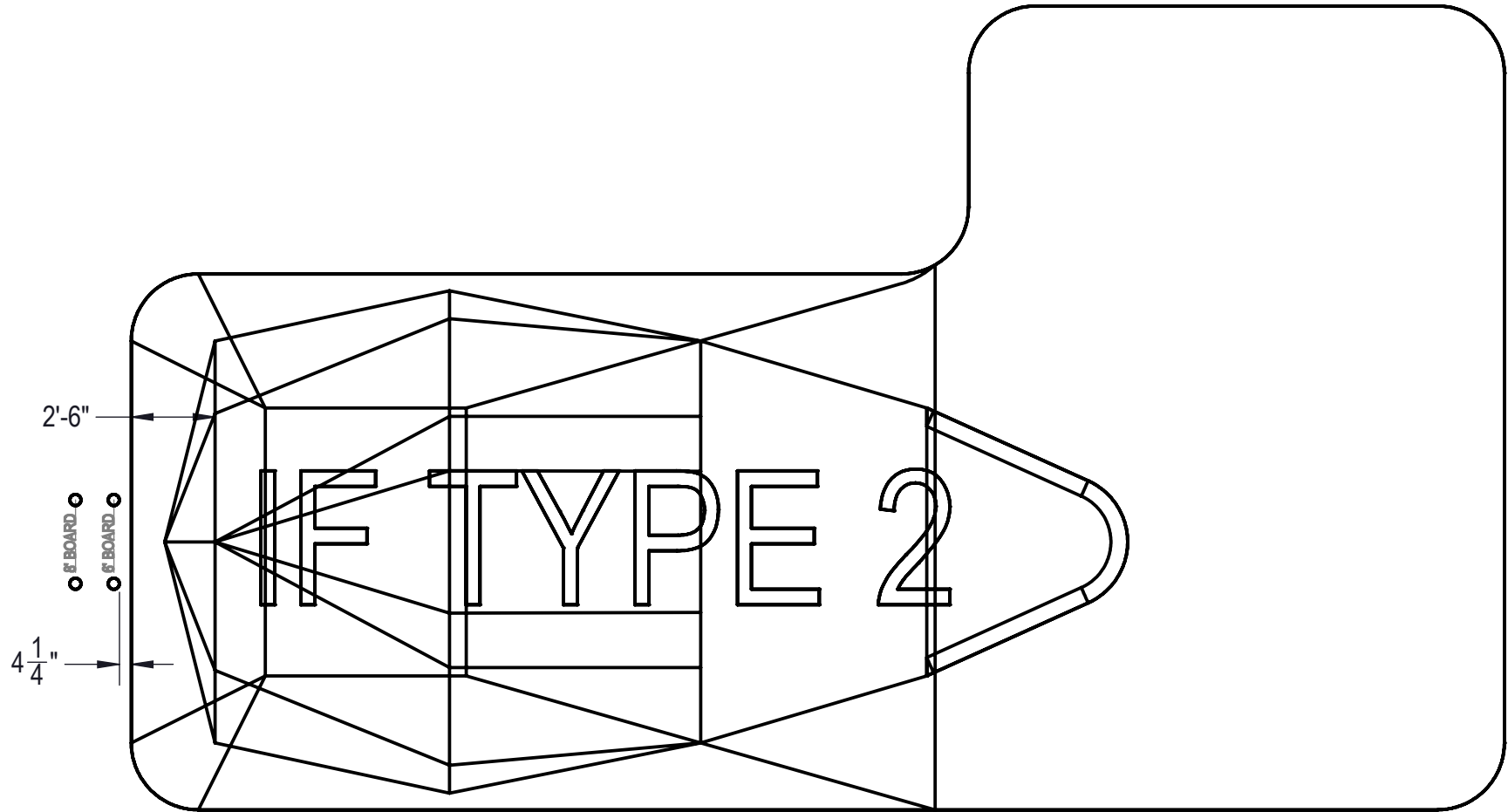
**IMPORTANT NOTES:**


THIS DOCUMENT IS FOR ILLUSTRATIVE PURPOSES ONLY. THE DEALER OR CONTRACTOR WHO SELLS OR INSTALLS YOUR POOL IS AN INDEPENDENT CONTRACTOR AND IS NOT AN AGENT OF THE MANUFACTURER. THE CONSTRUCTION METHODS ILLUSTRATED HERE ARE SUGGESTIONS AND APPLY ONLY TO NORMAL GROUND CONDITIONS. THERE MAY BE ADDITIONAL PRECAUTIONS AND/OR METHODS OF CONSTRUCTION. PROPER INSTALLATION IS THE RESPONSIBILITY OF THE DEALER/BUILDER/CONTRACTOR.

ENGINEERING DRAWING NUMBER: <b>00017046</b>	WEIGHT: 218199.938 lbs	<b>UNLESS OTHERWISE SPECIFIED</b> DIMENSIONS ARE IN INCHES TOLERANCES DECIMALS: X ± .1 XX ± .01 XXX ± .001 XXXX ± .0005  ANGULAR: X ± 0.5 THIRD ANGLE PROJECTION	DESIGNED BY: <b>BUMPHREY</b>	CREATION DATE: 7/1/2015	<b>HYDRA POOLS</b>	
	VOLUME: 6039755.193 Inch <sup>3</sup>		DETAILED BY: <b>BUMPHREY</b>	DETAILED DATE: 1/2/2017		
	COLOR: NA		LAST REVISED BY: <b>bumphrey</b>	LAST REVISED DATE: 1/2/2018	TITLE: LAYOUT, 16' X 41' X 24', TRUE L, RIGHT, 2' RADIUS, 8' DEEP, HS110N, LIGHT, 2-1084, 3-INLETS, 600 SERIES	
	HEAT TREAT: NA		MATERIAL: Water			
FINISH: NA			PART NUMBER: <b>00017046</b>	SCALE: 1:96	SIZE: <b>A</b>	
TEXTURE: NA				SHEET: 2 OF 4		



ENGINEERING DRAWING NUMBER: <b>00017046</b>	WEIGHT: 334397.9 lbs	<b>UNLESS OTHERWISE SPECIFIED</b> DIMENSIONS ARE IN INCHES TOLERANCES DECIMALS: X ± .1 XX ± .01 XXX ± .001 XXXX ± .0005  ANGULAR: X ± 0.5 THIRD ANGLE PROJECTION 	DESIGNED BY: BUMPHREY	CREATION DATE: 7/1/2015	<b>HYDRA POOLS</b>  TITLE: LAYOUT, 16' X 41' X 24', TRUE L, RIGHT, 2' RADIUS, 8' DEEP, HS110N, LIGHT, 2-1084, 3-INLETS, 600 SERIES
	VOLUME: Inch <sup>3</sup>		DETAILED BY: BUMPHREY	DETAILED DATE: 1/2/2017	
	COLOR:		LAST REVISED BY: bumphrey	LAST REVISED DATE: 1/2/2018	
	HEAT TREAT:		MATERIAL:		
	FINISH:		PART NUMBER:		
	TEXTURE:		<b>00017046</b>		
			SCALE: 1:60	SIZE: <b>A</b>	
			SHEET: 3 OF 4		



ENGINEERING DRAWING NUMBER: <b>00017046</b>	WEIGHT: 334397.9 lbs	<b>UNLESS OTHERWISE SPECIFIED</b> DIMENSIONS ARE IN INCHES TOLERANCES DECIMALS: X ± .1 XX ± .01 XXX ± .001 XXXX ± .0005  ANGULAR: X ± 0.5 THIRD ANGLE PROJECTION 	DESIGNED BY: BUMPHREY	CREATION DATE: 7/1/2015	HYDRA POOLS  TITLE: LAYOUT, 16' X 41' X 24', TRUE L, RIGHT, 2' RADIUS, 8' DEEP, HS110N, LIGHT, 2-1084, 3-INLETS, 600 SERIES		
	VOLUME: Inch <sup>3</sup>		DETAILED BY: BUMPHREY	DETAILED DATE: 1/2/2017			
	COLOR:		LAST REVISED BY: bumphrey	LAST REVISED DATE: 1/2/2018			
	HEAT TREAT:		MATERIAL:		PART NUMBER:	SCALE: 1:60	00017046 SIZE: A
	FINISH:					SHEET: 4 OF 4	
	TEXTURE:						