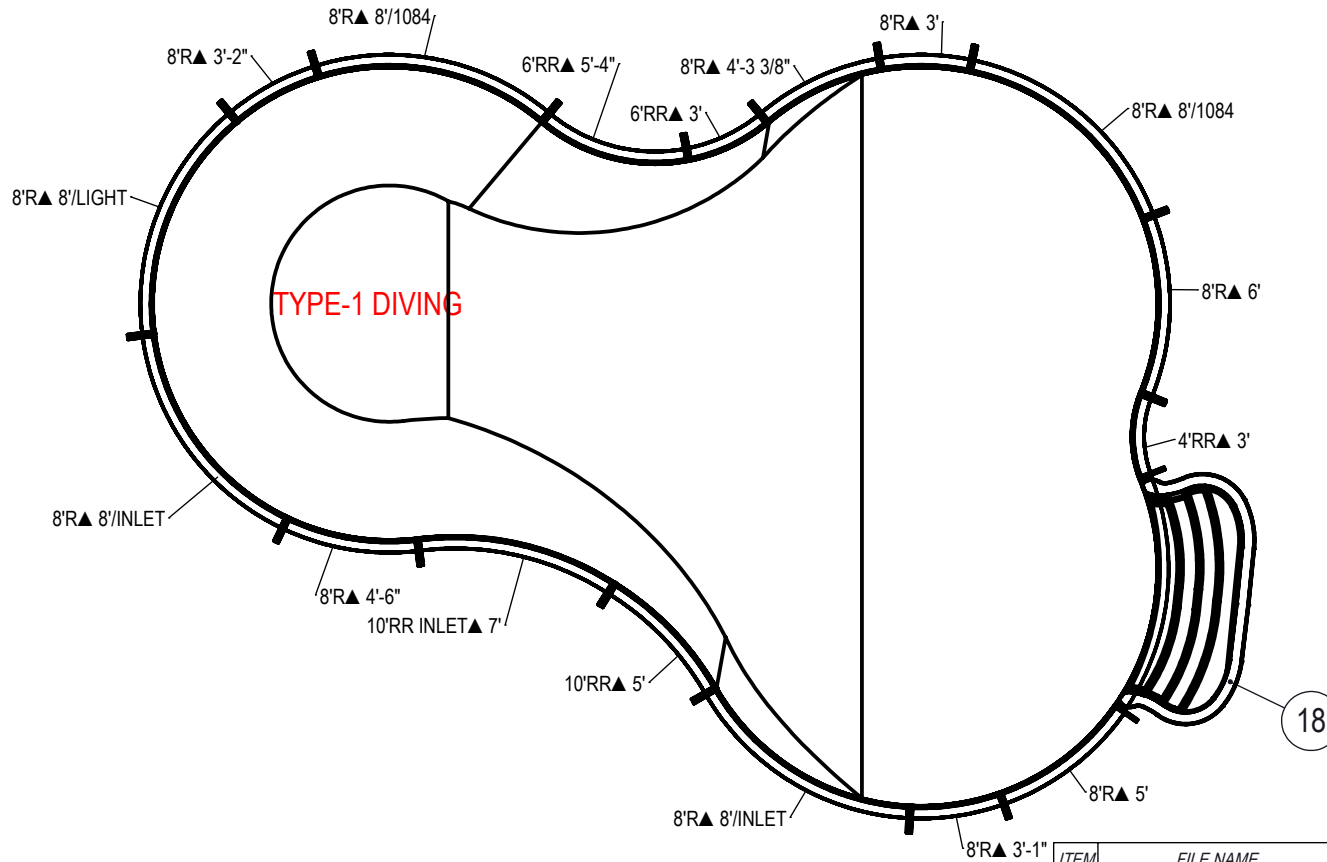


REVISION HISTORY			
REV.	DESCRIPTION	DATE	BY



TYPE-1 DIVING

18

NOTES:

1. THESE ARE FINISHED DIMENSIONS READY FOR THE LINER.
2. DIMENSIONS ARE FROM INSIDE POOL PANELS.
3. ROPE AND FLOAT ASSEMBLY SHOULD BE INSTALLED IN ACCORDANCE WITH CURRENT ANSI/ASPS/ICC REGULATIONS
4. HYDRA LINER TRACK FOR STEPS IS INSTALLED WITH THE BARB FACING THE RISER WALL ON THE STEP.

EXCAVATION NOTES:

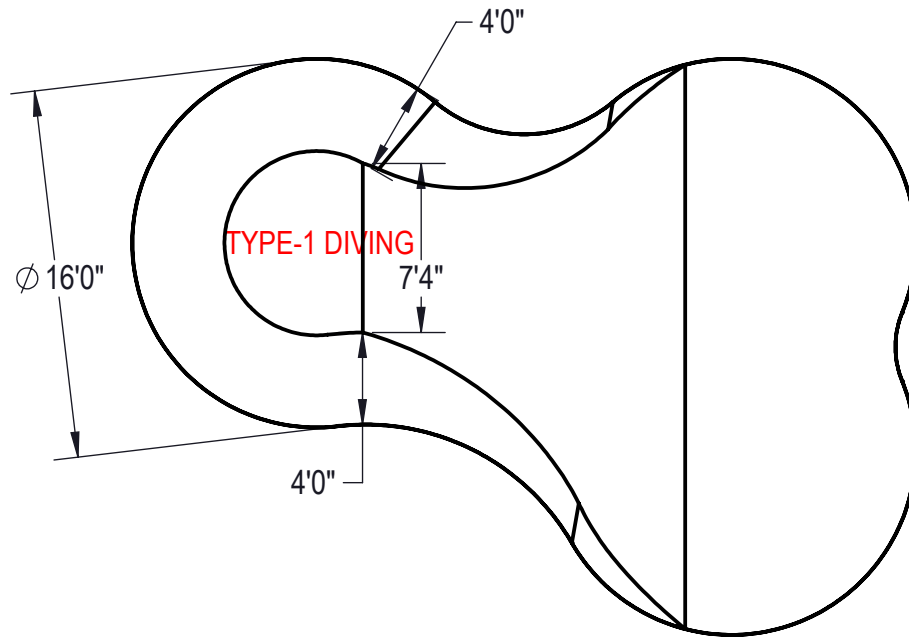
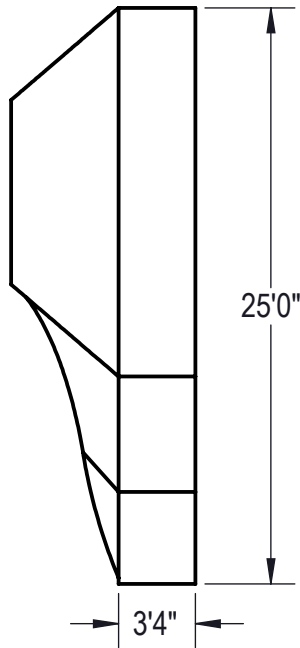
5. ROUGH EXCAVATION SHOULD BE 2" DEEPER IN EACH INSTANCE.
6. SOIL TO HAVE MINIMUM BEARING CAPACITY OF 1500 PSF.
7. LOCATE TOP OF POOL AT LEAST 6" ABOVE THE SURROUNDING LAND ELEVATION.
8. SEE "OVER DIG DETAIL" FOR EXCAVATION AROUND POOL.
9. FILL VOIDS UNDER BASE OF PANELS AND TAMP WELL.
10. BACK FILL WITH NON-EXPANSIVE MATERIAL.
11. FOLLOW ALL CURRENT ANSI / APSP / ICC GUIDELINES FOR RESIDENTIAL POOLS

IMPORTANT NOTES:

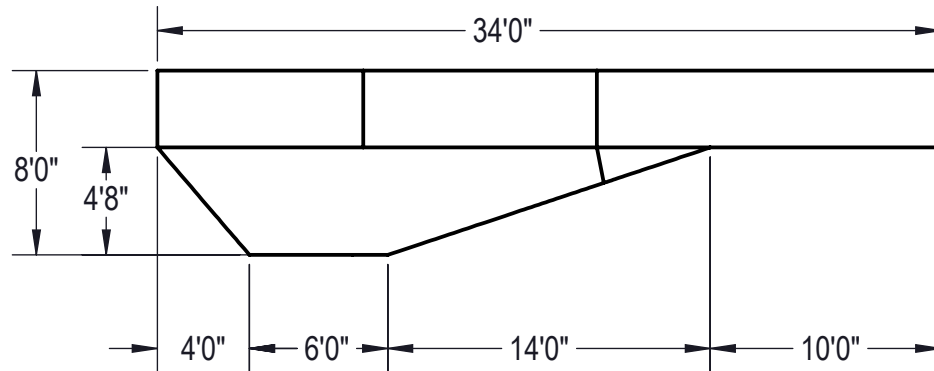
THIS DOCUMENT IS FOR ILLUSTRATIVE PURPOSES ONLY. THE DEALER OR CONTRACTOR WHO SELLS OR INSTALLS YOUR POOL IS AN INDEPENDENT CONTRACTOR AND IS NOT AN AGENT OF THE MANUFACTURER. THE CONSTRUCTION METHODS ILLUSTRATED HERE ARE SUGGESTIONS AND APPLY ONLY TO NORMAL GROUND CONDITIONS. THERE MAY BE ADDITIONAL PRECAUTIONS AND/OR METHODS OF CONSTRUCTION. PROPER INSTALLATION IS THE RESPONSIBILITY OF THE DEALER/BUILDER/CONTRACTOR.

ITEM	FILE NAME	DESCRIPTION	CUSTOMER DRAWING #	VENDOR PART #	QTY
1	BOLT, PACK	BOLT, FLANGE, 3/8-16 X 1", PACK (50)	HPS1916	HPS1916	5
2	SBRACE	BRACE, FOLD OVER WITH TURNBUCKLE, STEEL, HPSFOB	HPSFOB	HPSFOB	18
3	PANEL, RR	PANEL, 10' REVERSE RADIUS, 5' LONG, 600 SERIES	HPSD10RR5	00002087	1
4	PANEL, RR	PANEL, 10' REVERSE RADIUS, 7' LONG, INLET, 600 SERIES	HPS10RR7	00000993	1
5	PANEL, RR	PANEL, 4' REVERSE RADIUS, 3' LONG, 600 SERIES	HPSD4RR3	00000486	1
6	PANEL, RR	PANEL, 6' REVERSE RADIUS, 3' LONG, 600 SERIES	HPSD6RR3	00005679	1
7	PANEL, RR	PANEL, 6' REVERSE RADIUS, 5'-4" LONG, 600 SERIES	HPSCR6	00009562	1
8	PANEL, RADIUS	PANEL, 8' RADIUS, 3' LONG, 600 SERIES	HPSD8R3	00000375	1
9	PANEL, RADIUS	PANEL, 8' RADIUS, 3'-1" LONG, 600 SERIES	HPSCR4	00005014	1
10	PANEL, RADIUS	PANEL, 8' RADIUS, 3'-2" LONG, 600 SERIES	HPSCR4	00006142	1
11	PANEL, RADIUS	PANEL, 8' RADIUS, 4'-3 3/8" LONG, 600 SERIES	HPSCR5	00006225	1
12	PANEL, RADIUS	PANEL, 8' RADIUS, 4'-6" LONG, 600 SERIES	HPSCR5	00007247	1
13	PANEL, RADIUS	PANEL, 8' RADIUS, 5' LONG, 600 SERIES	HPSD8R5	00001450	1
14	PANEL, RADIUS	PANEL, 8' RADIUS, 6' LONG, 600 SERIES	HPSD8R6	00001456	1
15	PANEL, RADIUS	PANEL, 8' RADIUS, 8' LONG, 1084, 600 SERIES	HPSD8R884	00000271	2
16	PANEL, RADIUS	PANEL, 8' RADIUS, 8' LONG, INLET, 600 SERIES	HPS8R8I	00000758	2
17	PANEL, RADIUS	PANEL, 8' RADIUS, 8' LONG, LIGHT, 600 SERIES	HPSD8R8L	00001463	1
18	HS112N	STEP, 8' RADIUS, 4 TREAD	HS112N	HS112N	1

ENGINEERING DRAWING NUMBER: 00017252	WEIGHT: lbs	UNLESS OTHERWISE SPECIFIED DIMENSIONS ARE IN INCHES TOLERANCES DECIMALS: X ± .1 XX ± .01 XXX ± .001 XXXX ± .0005 ANGULAR: X ± 0.5 THIRD ANGLE PROJECTION	DESIGNED BY: BUMPHREY	CREATION DATE: 6/18/2013	HYDRA POOLS
	VOLUME: Inch ³		DETAILED BY: BUMPHREY	DETAILED DATE: 1/16/2018	
	COLOR: NA		LAST REVISED BY: bumphrey	LAST REVISED DATE: 1/16/2018	
	HEAT TREAT: NA		MATERIAL:		
FINISH: NA			TITLE: LAYOUT, 16' X 34' X 25', AMEBA, RIGHT, 8' DEEP, HS112N, LIGHT, 3-INLETS, 2-1084, 600 SERIES		
TEXTURE: NA			PART NUMBER: 00017252		SCALE: 1:78 SHEET: 1 OF 5
					A



Area: 595.96ft ^2
Perimeter: 100.35ft
Volume = 20854 US gallons



NOTES:

1. THESE ARE FINISHED DIMENSIONS READY FOR THE LINER.
2. DIMENSIONS ARE FROM INSIDE POOL PANELS.
3. ROPE AND FLOAT ASSEMBLY SHOULD BE INSTALLED IN ACCORDANCE WITH CURRENT ANSI/ASPS/ICC REGULATIONS
4. HYDRA LINER TRACK FOR STEPS IS INSTALLED WITH THE BARB FACING THE RISER WALL ON THE STEP.

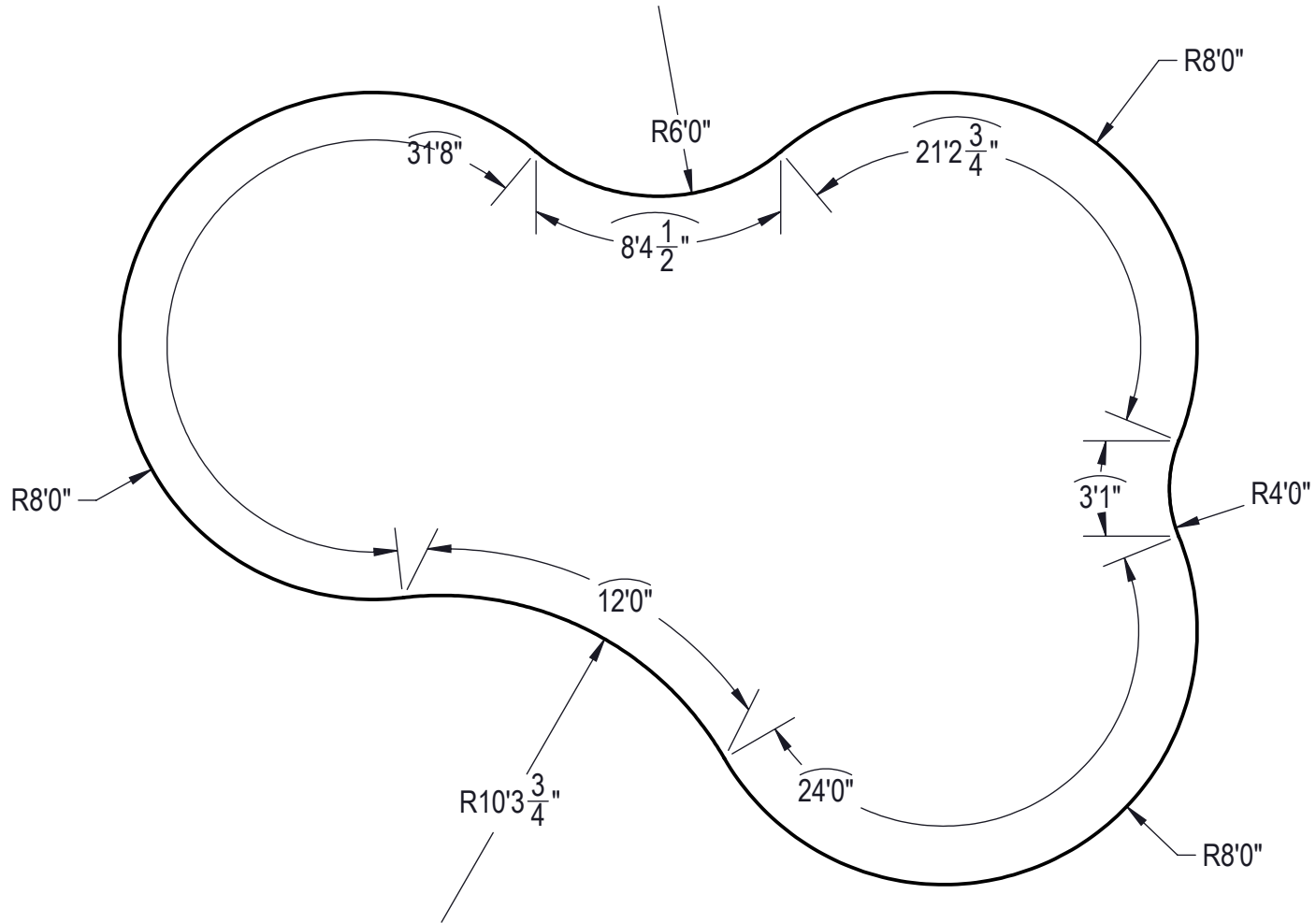
EXCAVATION NOTES:

5. ROUGH EXCAVATION SHOULD BE 2" DEEPER IN EACH INSTANCE.
6. SOIL TO HAVE MINIMUM BEARING CAPACITY OF 1500 PSF.
7. LOCATE TOP OF POOL AT LEAST 6" ABOVE THE SURROUNDING LAND ELEVATION.
8. SEE "OVER DIG DETAIL" FOR EXCAVATION AROUND POOL.
9. FILL VOIDS UNDER BASE OF PANELS AND TAMP WELL.
10. BACK FILL WITH NON-EXPANSIVE MATERIAL.
11. FOLLOW ALL CURRENT ANSI / APSP / ICC GUIDELINES FOR RESIDENTIAL POOLS

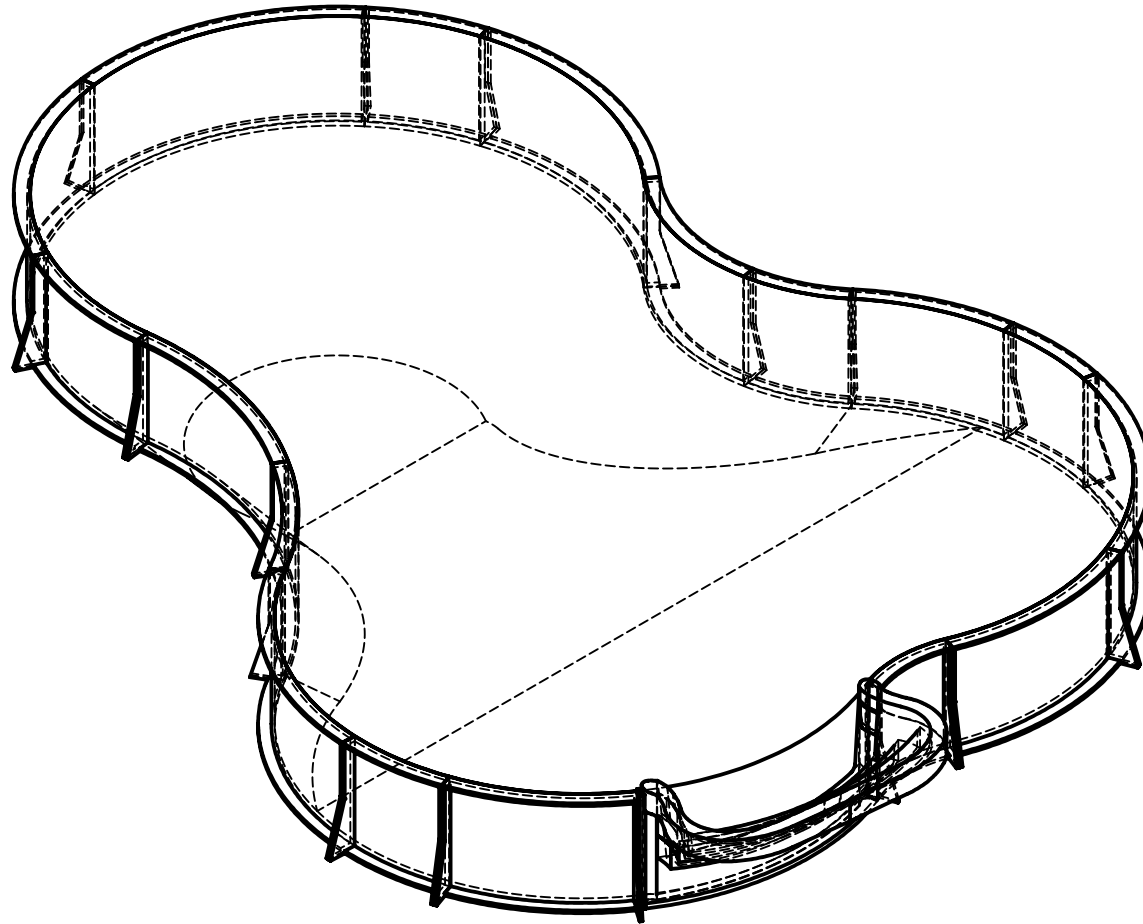
IMPORTANT NOTES:


THIS DOCUMENT IS FOR ILLUSTRATIVE PURPOSES ONLY. THE DEALER OR CONTRACTOR WHO SELLS OR INSTALLS YOUR POOL IS AN INDEPENDENT CONTRACTOR AND IS NOT AN AGENT OF THE MANUFACTURER. THE CONSTRUCTION METHODS ILLUSTRATED HERE ARE SUGGESTIONS AND APPLY ONLY TO NORMAL GROUND CONDITIONS. THERE MAY BE ADDITIONAL PRECAUTIONS AND/OR METHODS OF CONSTRUCTION. PROPER INSTALLATION IS THE RESPONSIBILITY OF THE DEALER/BUILDER/CONTRACTOR.

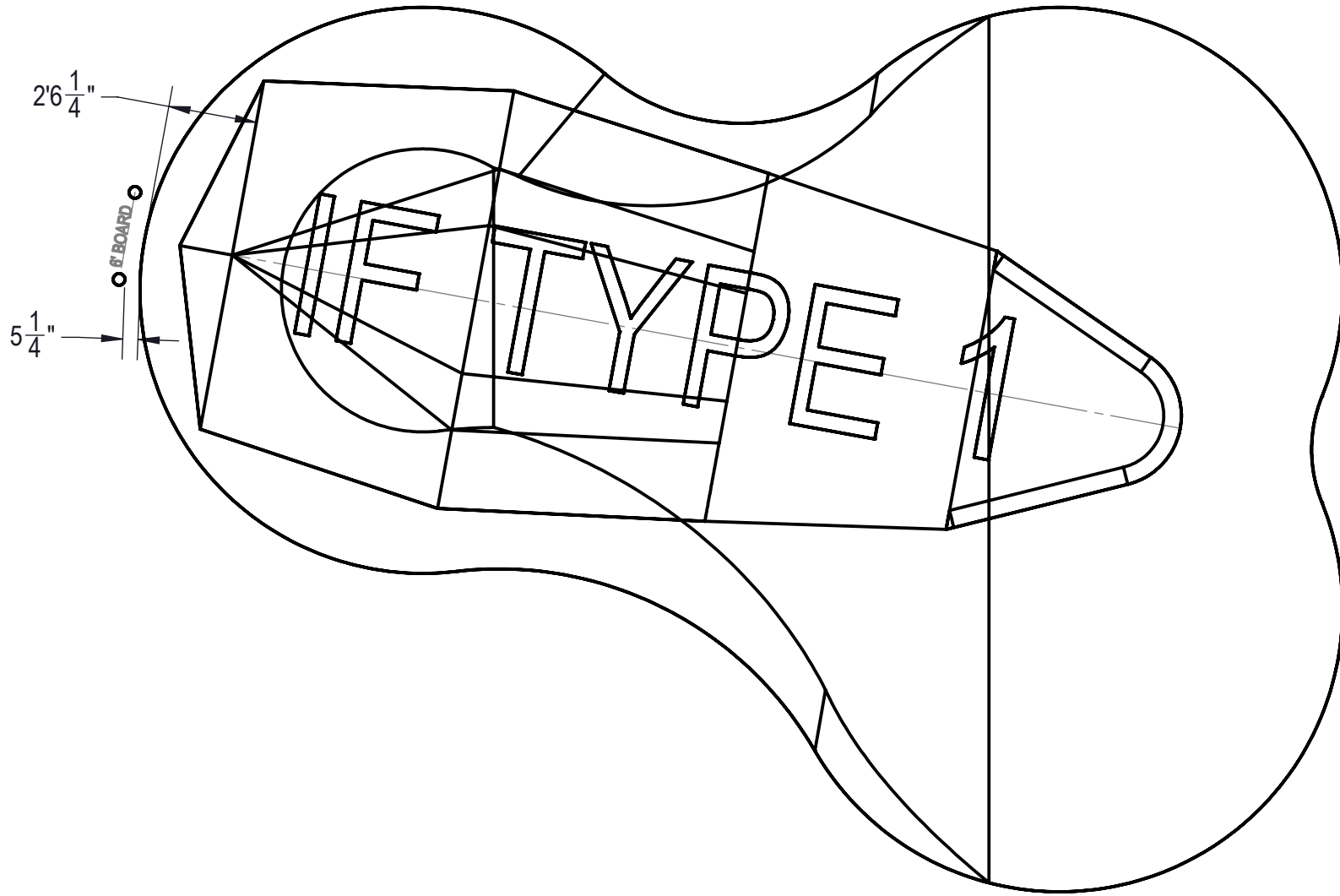
ENGINEERING DRAWING NUMBER: 00017252	WEIGHT:	UNLESS OTHERWISE SPECIFIED DIMENSIONS ARE IN INCHES TOLERANCES DECIMALS: X ± .1 XX ± .01 XXX ± .001 XXXX ± .0005 ANGULAR: X ± 0.5 THIRD ANGLE PROJECTION	DESIGNED BY:	CREATION DATE:	HYDRA POOLS
	lbs		BUMPHREY	6/18/2013	
	VOLUME:		DETAILED BY:	DETAILED DATE:	
	Inch ³		BUMPHREY	1/16/2018	
	NA		LAST REVISED BY:	LAST REVISED DATE:	
COLOR:	bumphrey	1/16/2018	TITLE: LAYOUT, 16' X 34' X 25', AMEBA, RIGHT, 8' DEEP, HS112N, LIGHT, 3-INLETS, 2-1084, 600 SERIES		
HEAT TREAT:	MATERIAL:	PART NUMBER:		SCALE:	SIZE:
NA		00017252		1:192	A
FINISH:				SHEET:	
NA				2 OF 5	
TEXTURE:					
NA					




ENGINEERING DRAWING NUMBER: 00017252	WEIGHT:	UNLESS OTHERWISE SPECIFIED DIMENSIONS ARE IN INCHES TOLERANCES DECIMALS: X ± .1 XX ± .01 XXX ± .001 XXXX ± .0005 ANGULAR: X ± 0.5 THIRD ANGLE PROJECTION 	DESIGNED BY:	CREATION DATE:	HYDRA POOLS
	lbs		BUMPHREY	6/18/2013	
	VOLUME:		DETAILED BY:	DETAILED DATE:	
	Inch ³		BUMPHREY	1/16/2018	TITLE: LAYOUT, 16' X 34' X 25', AMEBA, RIGHT, 8' DEEP, HS112N, LIGHT, 3-INLETS, 2-1084, 600 SERIES
	COLOR:		LAST REVISED BY:	LAST REVISED DATE:	
	NA		bumphrey	1/16/2018	PART NUMBER:
HEAT TREAT:	MATERIAL:		00017252	1:68	A
NA				SHEET:	
FINISH:			3 OF 5		
TEXTURE:					
NA					



ENGINEERING DRAWING NUMBER: 00017252	WEIGHT:	UNLESS OTHERWISE SPECIFIED DIMENSIONS ARE IN INCHES TOLERANCES DECIMALS: X ± .1 XX ± .01 XXX ± .001 XXXX ± .0005 ANGULAR: X ± 0.5 THIRD ANGLE PROJECTION 	DESIGNED BY:	CREATION DATE:	HYDRA POOLS TITLE: LAYOUT, 16' X 34' X 25', AMEBA, RIGHT, 8' DEEP, HS112N, LIGHT, 3-INLETS, 2-1084, 600 SERIES PART NUMBER: 00017252	SCALE:	SIZE:
	lbs		DESIGNED BY:	6/18/2013		1:60	A
	VOLUME:		DETAILED BY:	DETAILED DATE:		SHEET:	
	Inch ³		BUMPHREY	1/16/2018		4 OF 5	
	COLOR:		LAST REVISED BY:	LAST REVISED DATE:			
	NA		bumphrey	1/16/2018			
HEAT TREAT:	MATERIAL:						
NA							
FINISH:							
NA							
TEXTURE:							
NA							



ENGINEERING DRAWING NUMBER: 00017252	WEIGHT:	UNLESS OTHERWISE SPECIFIED DIMENSIONS ARE IN INCHES TOLERANCES DECIMALS: X ± .1 XX ± .01 XXX ± .001 XXXX ± .0005 ANGULAR: X ± 0.5 THIRD ANGLE PROJECTION 	DESIGNED BY:	CREATION DATE:	HYDRA POOLS
	lbs		BUMPHREY	6/18/2013	
	VOLUME:		DETAILED BY:	DETAILED DATE:	
	Inch ³		BUMPHREY	1/16/2018	TITLE: LAYOUT, 16' X 34' X 25', AMEBA, RIGHT, 8' DEEP, HS112N, LIGHT, 3-INLETS, 2-1084, 600 SERIES
	COLOR:		LAST REVISED BY:	LAST REVISED DATE:	PART NUMBER: <div style="float: right; text-align: right;"> SCALE: 1:60 SHEET: 5 OF 5 A </div>
	NA		bumphrey	1/16/2018	
HEAT TREAT:	MATERIAL:		00017252		
NA					
FINISH:					
NA					
TEXTURE:					
NA					