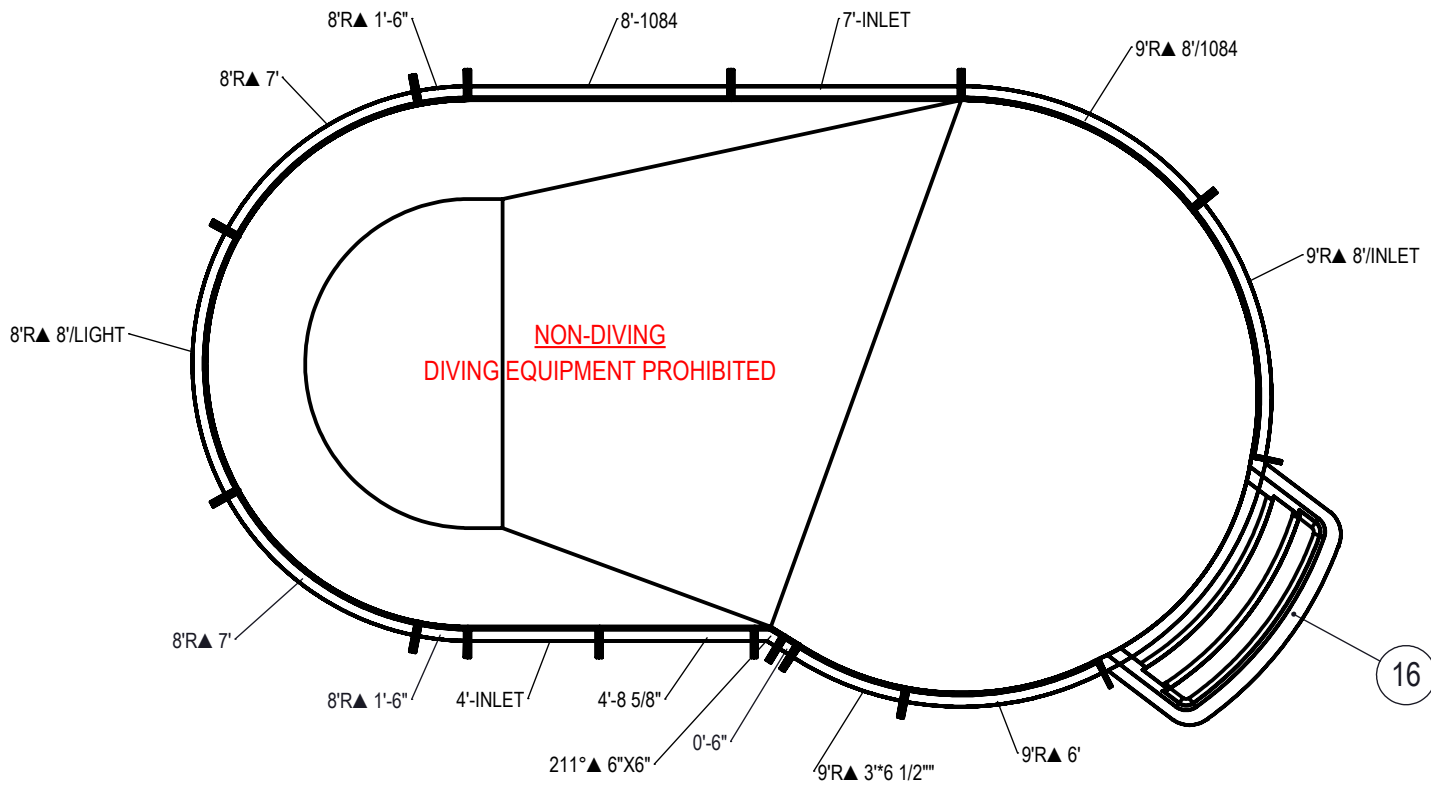


REVISION HISTORY				
REV.	DESCRIPTION	DATE	ECO	BY



NOTES:

- THESE ARE FINISHED DIMENSIONS READY FOR THE LINER.
- DIMENSIONS ARE FROM INSIDE POOL PANELS.
- ROPE AND FLOAT ASSEMBLY SHOULD BE INSTALLED IN ACCORDANCE WITH CURRENT ANSI/ASPS/ICC REGULATIONS
- HYDRA LINER TRACK FOR STEPS IS INSTALLED WITH THE BARB FACING THE RISER WALL ON THE STEP.

EXCAVATION NOTES:

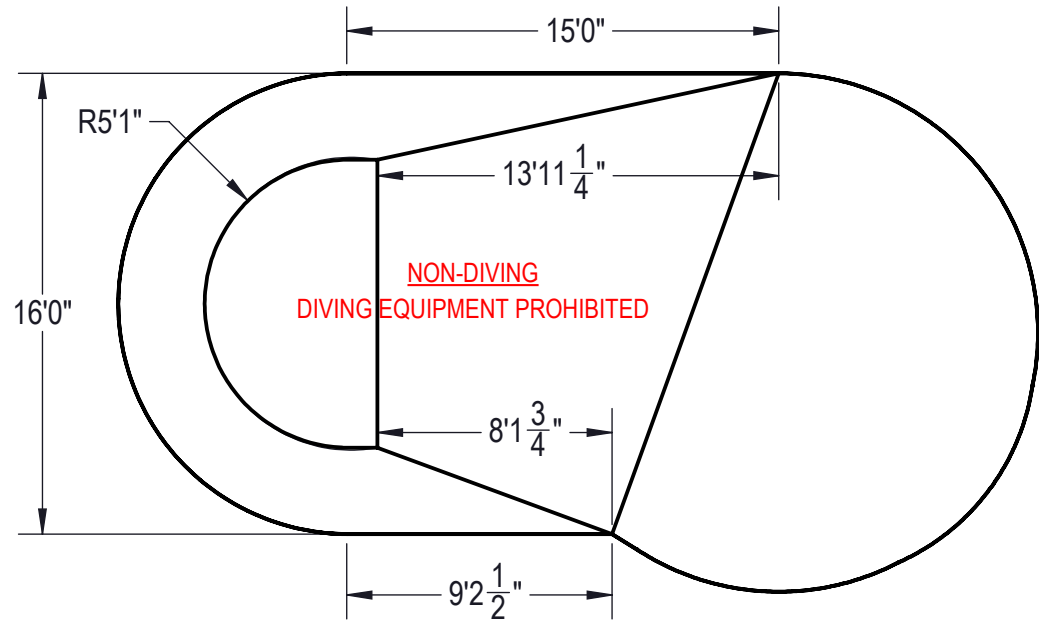
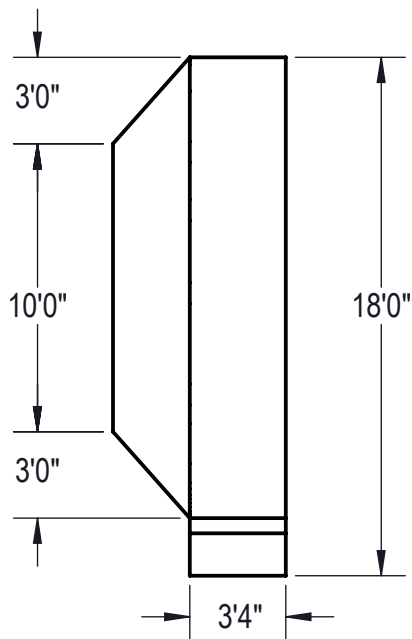
- ROUGH EXCAVATION SHOULD BE 2" DEEPER IN EACH INSTANCE.
- SOIL TO HAVE MINIMUM BEARING CAPACITY OF 1500 PSF.
- LOCATE TOP OF POOL AT LEAST 6" ABOVE THE SURROUNDING LAND ELEVATION.
- SEE "OVER DIG DETAIL" FOR EXCAVATION AROUND POOL.
- FILL VOIDS UNDER BASE OF PANELS AND TAMP WELL.
- BACK FILL WITH NON-EXPANSIVE MATERIAL.
- FOLLOW ALL CURRENT ANSI / APSP / ICC GUIDELINES FOR RESIDENTIAL POOLS

IMPORTANT NOTES:

THIS DOCUMENT IS FOR ILLUSTRATIVE PURPOSES ONLY. THE DEALER OR CONTRACTOR WHO SELLS OR INSTALLS YOUR POOL IS AN INDEPENDENT CONTRACTOR AND IS NOT AN AGENT OF THE MANUFACTURER. THE CONSTRUCTION METHODS ILLUSTRATED HERE ARE SUGGESTIONS AND APPLY ONLY TO NORMAL GROUND CONDITIONS. THERE MAY BE ADDITIONAL PRECAUTIONS AND/OR METHODS OF CONSTRUCTION. PROPER INSTALLATION IS THE RESPONSIBILITY OF THE DEALER/BUILDER/CONTRACTOR.

ITEM	FILE NAME	DESCRIPTION	CUSTOMER DRAWING #	VENDOR PART #	QTY.
1	BOLT, PACK	BOLT, FLANGE, 3/8-16 X 1", PACK (50)	HPS1916	HPS1916	4
2	SBRACE	BRACE, FOLD OVER WITH TURNBUCKLE, STEEL, HPSFOB	HPSFOB	HPSFOB	16
3	PANEL, ANGLE	PANEL, ANGLE, 6" X 6" X 211°, 600 SERIES	HPSD6X6211	00001396	1
4	PANEL, STRAIGHT	PANEL, 0'-6" LONG, 600 SERIES	HPSD6P	00001405	1
5	PANEL, STRAIGHT	PANEL, 4' LONG, INLET, 600 SERIES	HPSE1041	00000281	1
6	PANEL, STRAIGHT	PANEL, 4'-8 5/8" LONG, 600 SERIES	HPSC55	00007216	1
7	PANEL, STRAIGHT	PANEL, 7' LONG, INLET, 600 SERIES	HPS1071	00005251	1
8	PANEL, STRAIGHT	PANEL, 8' LONG, 1084, 600 SERIES	HPSD10884	00002006	1
9	PANEL, RADIUS	PANEL, 8' RADIUS, 1'-6" LONG, 600 SERIES	HPSCR2	00006550	2
10	PANEL, RADIUS	PANEL, 8' RADIUS, 7' LONG, 600 SERIES	HPSD8R7	00001459	2
11	PANEL, RADIUS	PANEL, 8' RADIUS, 8' LONG, LIGHT, 600 SERIES	HPSD8R8L	00001463	1
12	PANEL, RADIUS	PANEL, 9' RADIUS, 3'-6 1/2" LONG, 600 SERIES	HPSCR4	00005815	1
13	PANEL, RADIUS	PANEL, 9' RADIUS, 6' LONG, 600 SERIES	HPSD9R6	00000355	1
14	PANEL, RADIUS	PANEL, 9' RADIUS, 8' LONG, 1084, 600 SERIES	HPS9R884	00000272	1
15	PANEL, RADIUS	PANEL, 9' RADIUS, 8', INLET OR LED, 600 SERIES	HPS9R8I	00000275	1
16	HS106N	STEP, 8' RADIUS, 3 TREAD	HS106N	HS106N	1

ENGINEERING DRAWING NUMBER: 00017424	WEIGHT: lbs	UNLESS OTHERWISE SPECIFIED DIMENSIONS ARE IN INCHES TOLERANCES DECIMALS: X ± .1 XX ± .01 XXX ± .001 XXXX ± .0005 ANGULAR: X ± 0.5 THIRD ANGLE PROJECTION	DESIGNED BY: BUMPHREY	CREATION DATE: 2/14/2014	HYDRA POOLS
	VOLUME: Inch ³		DETAILED BY: BUMPHREY	DETAILED DATE: 1/29/2018	
	COLOR: NA		LAST REVISED BY: bumphrey	LAST REVISED DATE: 1/29/2018	
	HEAT TREAT: NA		MATERIAL:		
FINISH: NA	TITLE: LAYOUT, 16' X 32', MARTINQUE LEFT, 6' DEEP, HS106N, LIGHT, 2-1084, 3-INLET, 600 SERIES		PART NUMBER: 00017424		SCALE: 1:192
TEXTURE: NA					SHEET: 1 OF 3
					A



Area: 475.10ft ^2
Perimeter: 83.79ft
Volume = 14993 US gallons

NOTES:

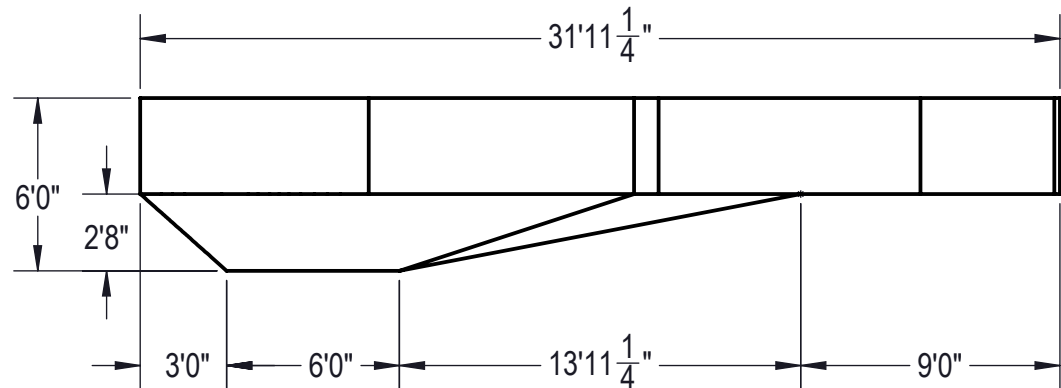
1. THESE ARE FINISHED DIMENSIONS READY FOR THE LINER.
2. DIMENSIONS ARE FROM INSIDE POOL PANELS.
3. ROPE AND FLOAT ASSEMBLY SHOULD BE INSTALLED IN ACCORDANCE WITH CURRENT ANSI/ASPS/ICC REGULATIONS
4. HYDRA LINER TRACK FOR STEPS IS INSTALLED WITH THE BARB FACING THE RISER WALL ON THE STEP.

EXCAVATION NOTES:

5. ROUGH EXCAVATION SHOULD BE 2" DEEPER IN EACH INSTANCE.
6. SOIL TO HAVE MINIMUM BEARING CAPACITY OF 1500 PSF.
7. LOCATE TOP OF POOL AT LEAST 6" ABOVE THE SURROUNDING LAND ELEVATION.
8. SEE "OVER DIG DETAIL" FOR EXCAVATION AROUND POOL.
9. FILL VOIDS UNDER BASE OF PANELS AND TAMP WELL.
10. BACK FILL WITH NON-EXPANSIVE MATERIAL.
11. FOLLOW ALL CURRENT ANSI / APSP / ICC GUIDELINES FOR RESIDENTIAL POOLS

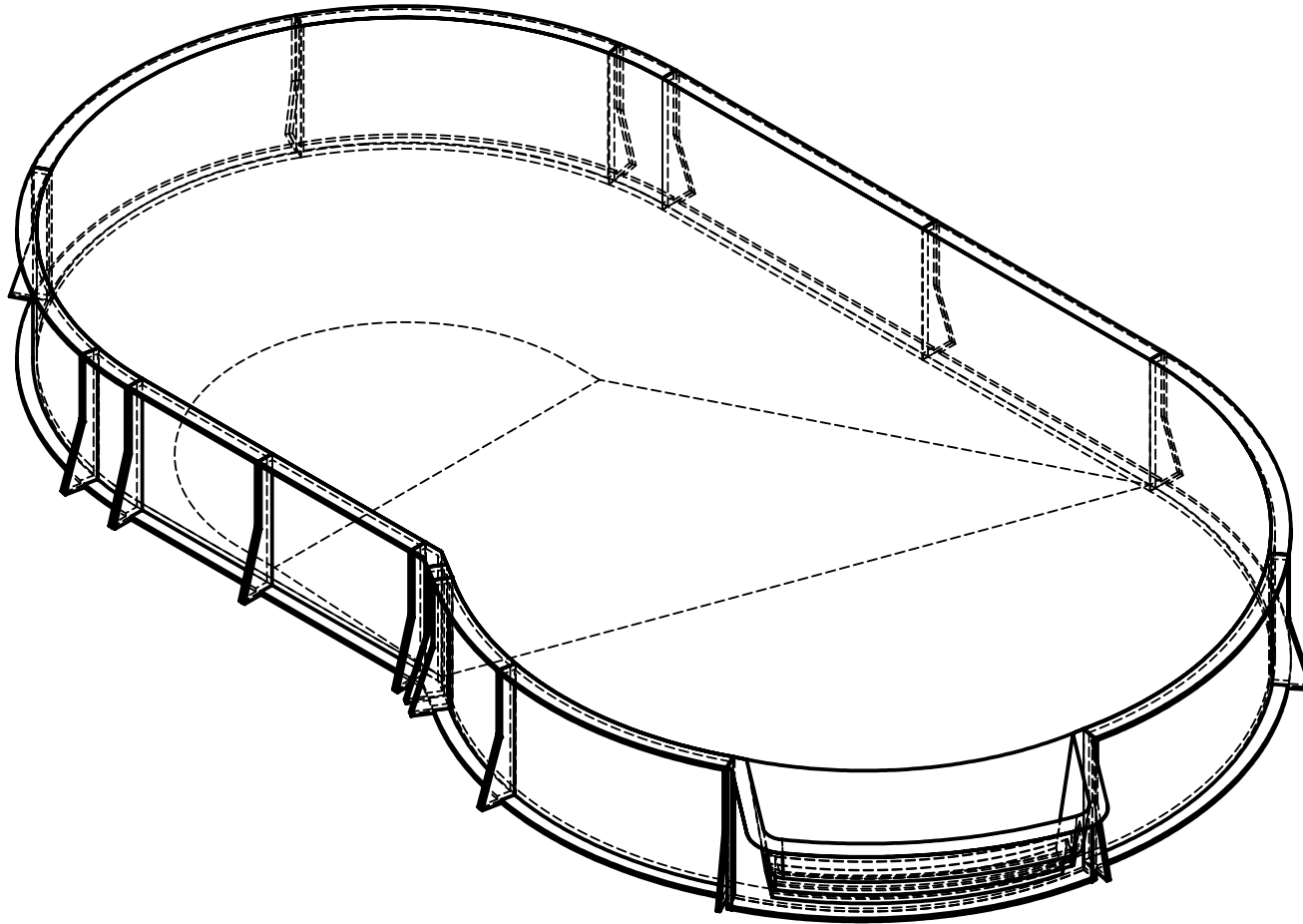
IMPORTANT NOTES:


THIS DOCUMENT IS FOR ILLUSTRATIVE PURPOSES ONLY. THE DEALER OR CONTRACTOR WHO SELLS OR INSTALLS YOUR POOL IS AN INDEPENDENT CONTRACTOR AND IS NOT AN AGENT OF THE MANUFACTURER. THE CONSTRUCTION METHODS ILLUSTRATED HERE ARE SUGGESTIONS AND APPLY ONLY TO NORMAL GROUND CONDITIONS. THERE MAY BE ADDITIONAL PRECAUTIONS AND/OR METHODS OF CONSTRUCTION. PROPER INSTALLATION IS THE RESPONSIBILITY OF THE DEALER/BUILDER/CONTRACTOR.



ENGINEERING DRAWING NUMBER: 00017424	WEIGHT:	UNLESS OTHERWISE SPECIFIED DIMENSIONS ARE IN INCHES TOLERANCES DECIMALS: X ± .1 XX ± .01 XXX ± .001 XXXX ± .0005 ANGULAR: X ± 0.5 THIRD ANGLE PROJECTION 	DESIGNED BY:	CREATION DATE:	HYDRA POOLS		
	lbs		BUMPHREY	2/14/2014			
	VOLUME:			DETAILED BY:	DETAILED DATE:	TITLE: LAYOUT, 16' X 32', MARTINQUE LEFT, 6' DEEP, HS106N, LIGHT, 2-1084, 3-INLET, 600 SERIES	
	Inch³			BUMPHREY	1/29/2018		
	NA			LAST REVISED BY:	LAST REVISED DATE:		
COLOR:		bumphrey	1/29/2018	PART NUMBER:	SCALE:	SIZE:	
HEAT TREAT:					1:192	A	
FINISH:					2 OF 3		
TEXTURE:							
NA							
NA							
NA							

00017424



ENGINEERING DRAWING NUMBER: 00017424	WEIGHT:	UNLESS OTHERWISE SPECIFIED DIMENSIONS ARE IN INCHES TOLERANCES DECIMALS: X ± .1 XX ± .01 XXX ± .001 XXXX ± .0005 ANGULAR: X ± 0.5 THIRD ANGLE PROJECTION 	DESIGNED BY:	CREATION DATE:	HYDRA POOLS	
	lbs		BUMPHREY	2/14/2014		
	VOLUME:		DETAILED BY:	DETAILED DATE:		
	Inch ³		BUMPHREY	1/29/2018	TITLE:	LAYOUT, 16' X 32', MARTINQUE LEFT, 6' DEEP, HS106N, LIGHT, 2-1084, 3-INLET, 600 SERIES
	COLOR:		LAST REVISED BY:	LAST REVISED DATE:	PART NUMBER:	00017424
	NA		bumphrey	1/29/2018	SCALE:	
HEAT TREAT:	MATERIAL:		SHEET:	3 OF 3		
NA			SIZE:	A		
FINISH:						
NA						
TEXTURE:						
NA						