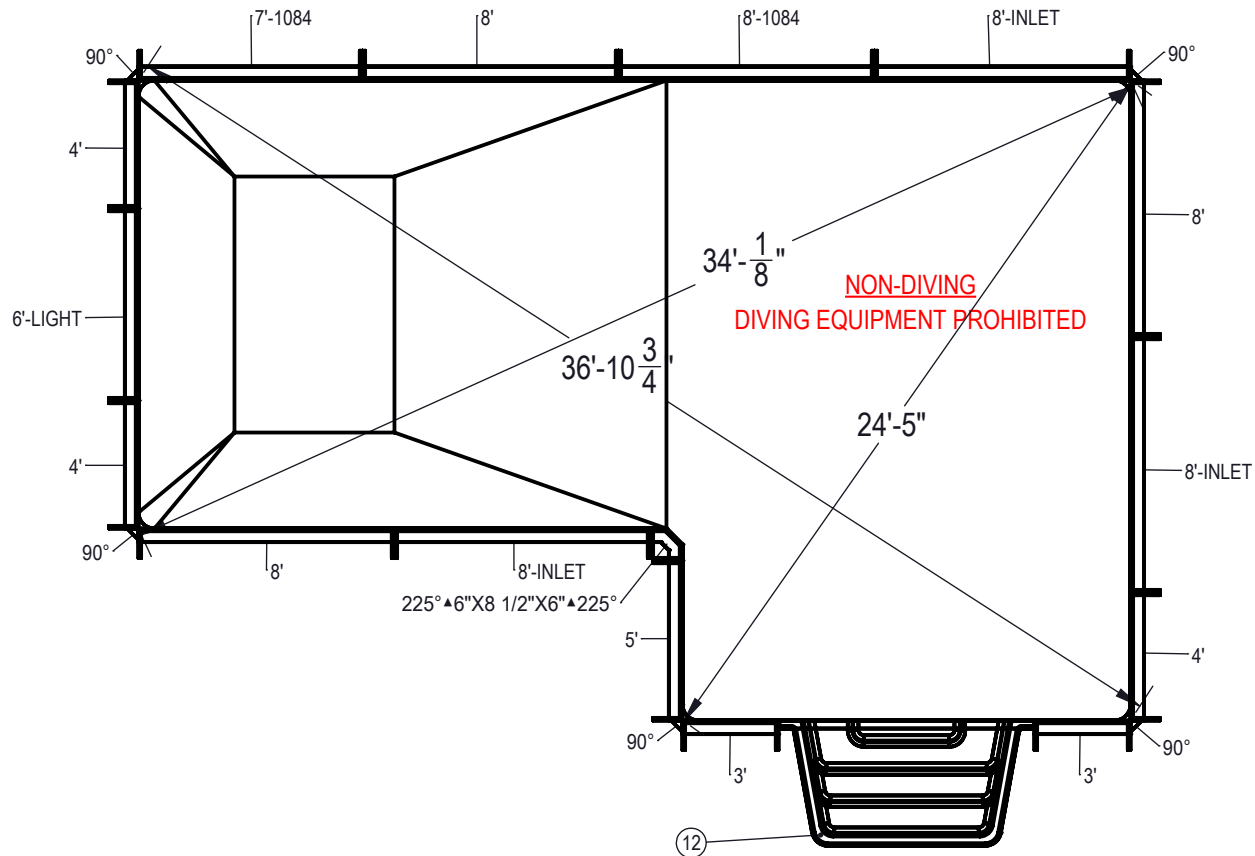


REVISION HISTORY				
REV.	DESCRIPTION	DATE	ECO	BY



NOTES:

- THESE ARE FINISHED DIMENSIONS READY FOR THE LINER.
- DIMENSIONS ARE FROM INSIDE POOL PANELS.
- ROPE AND FLOAT ASSEMBLY SHOULD BE INSTALLED IN ACCORDANCE WITH CURRENT ANSI/ASPS/ICC REGULATIONS
- HYDRA LINER TRACK FOR STEPS IS INSTALLED WITH THE BARB FACING THE RISER WALL ON THE STEP.

EXCAVATION NOTES:

- ROUGH EXCAVATION SHOULD BE 2" DEEPER IN EACH INSTANCE.
- SOIL TO HAVE MINIMUM BEARING CAPACITY OF 1500 PSF.
- LOCATE TOP OF POOL AT LEAST 6" ABOVE THE SURROUNDING LAND ELEVATION.
- SEE "OVER DIG DETAIL" FOR EXCAVATION AROUND POOL.
- FILL VOIDS UNDER BASE OF PANELS AND TAMP WELL.
- BACK FILL WITH NON-EXPANSIVE MATERIAL.
- FOLLOW ALL CURRENT ANSI / APSP / ICC GUIDELINES FOR RESIDENTIAL POOLS

IMPORTANT NOTES:

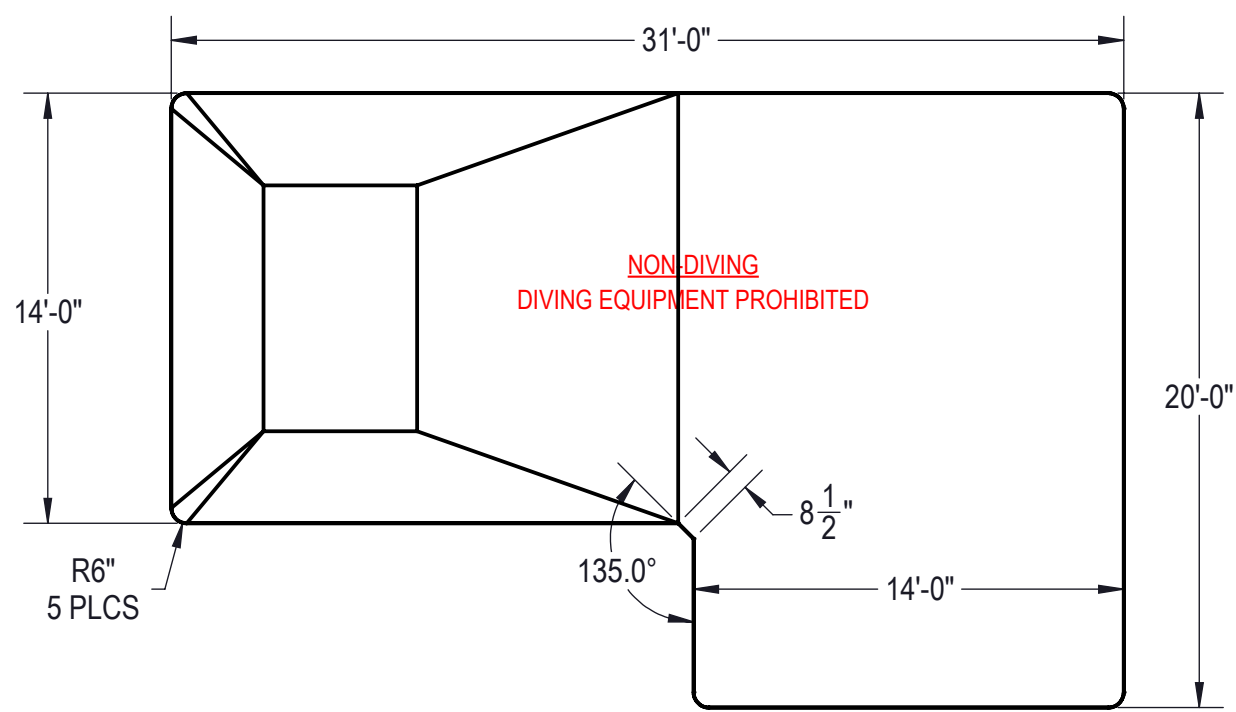
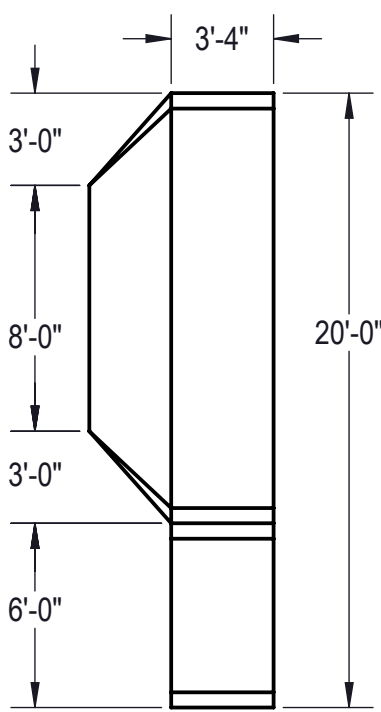
THIS DOCUMENT IS FOR ILLUSTRATIVE PURPOSES ONLY. THE DEALER OR CONTRACTOR WHO SELLS OR INSTALLS YOUR POOL IS AN INDEPENDENT CONTRACTOR AND IS NOT AN AGENT OF THE MANUFACTURER. THE CONSTRUCTION METHODS ILLUSTRATED HERE ARE SUGGESTIONS AND APPLY ONLY TO NORMAL GROUND CONDITIONS. THERE MAY BE ADDITIONAL PRECAUTIONS AND/OR METHODS OF CONSTRUCTION. PROPER INSTALLATION IS THE RESPONSIBILITY OF THE DEALER/BUILDER/CONTRACTOR.

ITEM	FILE NAME	DESCRIPTION	CUSTOMER DRAWING #	VENDOR PART #	QTY.
1	BOLT, PACK	BOLT, FLANGE, 3/8-16 X 1", PACK (50)	HPS1916	HPS1916	5
2	SBRACE	BRACE, FOLD OVER WITH TURNBUCKLE, STEEL, HPSFOB	HPSFOB	HPSFOB	22
3	PANEL, ANGLE, DOUBLE	PANEL, ANGLE, 225° 6" X 8 1/2" X 6" X 225°, 600 SERIES	HPS6856R	00001686	1
4	PANEL, STRAIGHT	PANEL, 3' LONG, 600 SERIES	HPSD103P	00000643	2
5	PANEL, STRAIGHT	PANEL, 4' LONG, 600 SERIES	HPSD104P	00000274	3
6	PANEL, STRAIGHT	PANEL, 5' LONG, 600 SERIES	HPSD105P	00000674	1
7	PANEL, STRAIGHT	PANEL, 6' LONG, LIGHT, 600 SERIES	HPSD106L	00000679	1
8	PANEL, STRAIGHT	PANEL, 7' LONG, 1084, 600 SERIES	HPS10784	00001783	1
9	PANEL, STRAIGHT	PANEL, 8' LONG, 1084, 600 SERIES	HPSD10884	00002006	1
10	PANEL, STRAIGHT	PANEL, 8' LONG, 600 SERIES	HPSD108P	00000687	3
11	PANEL, STRAIGHT	PANEL, 8' LONG, INLET, 600 SERIES	HPSD108I	00000699	3
12	HS110N	STEP, 8", TWIN SEAT, 4 TREAD	HS110N	HS110N	1
13	PANEL, WEDGE	WEDGE, 2 1/2" X 2 1/2" X 90°-600-ASSEMBLY	HPSD6CA	00005721	5

ENGINEERING DRAWING NUMBER 00017320	WEIGHT: 148963.1 lbs	UNLESS OTHERWISE SPECIFIED DIMENSIONS ARE IN INCHES TOLERANCES DECIMALS: X ± .1 XX ± .01 XXX ± .001 XXXX ± .0005 ANGULAR: X ± 0.5 THIRD ANGLE PROJECTION
	VOLUME: Inch ³	
	COLOR:	
	HEAT TREAT:	
	FINISH:	
	TEXTURE:	

DESIGNED BY: RCOLBOCH	CREATION DATE: 4/3/2013
DETAILED BY: RSANVICENTE	DETAILED DATE: 1/22/2018
LAST REVISED BY: hyeng	LAST REVISED DATE: 1/22/2018
MATERIAL:	

HYDRA POOLS	
TITLE: LAYOUT, 14' X 31' X 20', TRUE L, LEFT, 6" RADIUS, 6' DEEP, HS110N, LIGHT, 3- INLET, 2- 1084, 600 SERIES	
PART NUMBER: 00017320	SCALE: 1:72 SHEET: 1 OF 3 SIZE: A



Area: 517.86ft ^2
Perimeter: 100.63ft
Volume = 15386 US gallons

NOTES:

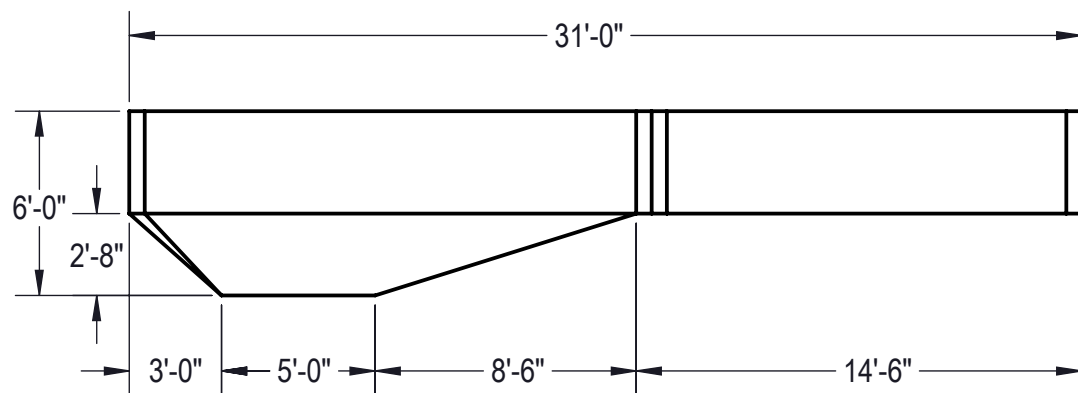
1. THESE ARE FINISHED DIMENSIONS READY FOR THE LINER.
2. DIMENSIONS ARE FROM INSIDE POOL PANELS.
3. ROPE AND FLOAT ASSEMBLY SHOULD BE INSTALLED IN ACCORDANCE WITH CURRENT ANSI/ASPS/ICC REGULATIONS
4. HYDRA LINER TRACK FOR STEPS IS INSTALLED WITH THE BARB FACING THE RISER WALL ON THE STEP.

EXCAVATION NOTES:

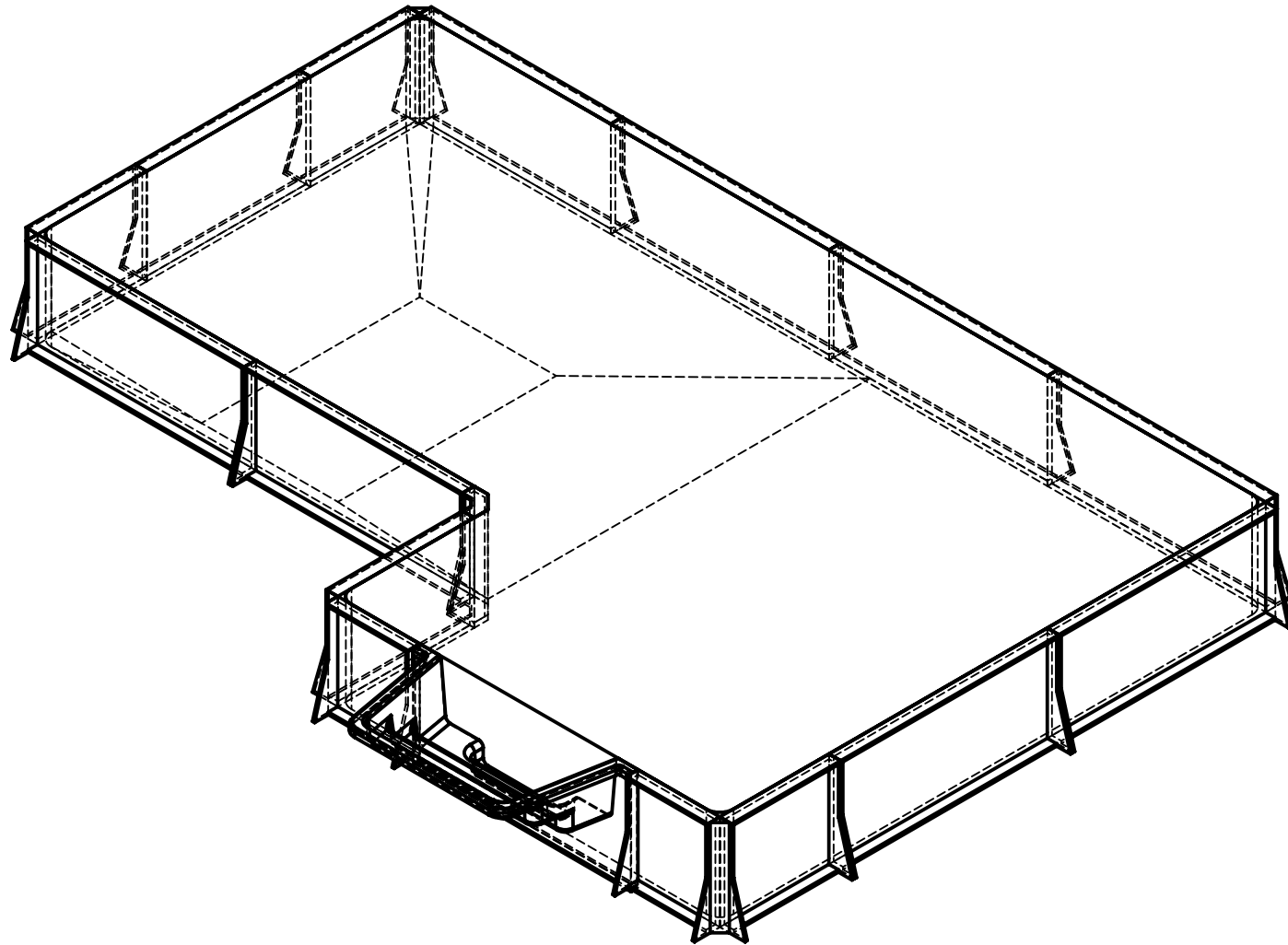
5. ROUGH EXCAVATION SHOULD BE 2" DEEPER IN EACH INSTANCE.
6. SOIL TO HAVE MINIMUM BEARING CAPACITY OF 1500 PSF.
7. LOCATE TOP OF POOL AT LEAST 6" ABOVE THE SURROUNDING LAND ELEVATION.
8. SEE "OVER DIG DETAIL" FOR EXCAVATION AROUND POOL.
9. FILL VOIDS UNDER BASE OF PANELS AND TAMP WELL.
10. BACK FILL WITH NON-EXPANSIVE MATERIAL.
11. FOLLOW ALL CURRENT ANSI / ASP / ICC GUIDELINES FOR RESIDENTIAL POOLS


IMPORTANT NOTES:

THIS DOCUMENT IS FOR ILLUSTRATIVE PURPOSES ONLY. THE DEALER OR CONTRACTOR WHO SELLS OR INSTALLS YOUR POOL IS AN INDEPENDENT CONTRACTOR AND IS NOT AN AGENT OF THE MANUFACTURER. THE CONSTRUCTION METHODS ILLUSTRATED HERE ARE SUGGESTIONS AND APPLY ONLY TO NORMAL GROUND CONDITIONS. THERE MAY BE ADDITIONAL PRECAUTIONS AND/OR METHODS OF CONSTRUCTION. PROPER INSTALLATION IS THE RESPONSIBILITY OF THE DEALER/BUILDER/CONTRACTOR.



ENGINEERING DRAWING NUMBER: 00017320	WEIGHT: 128398.553 lbs	UNLESS OTHERWISE SPECIFIED DIMENSIONS ARE IN INCHES TOLERANCES DECIMALS: X ± .1 XX ± .01 XXX ± .001 XXXX ± .0005 ANGULAR: X ± 0.5 THIRD ANGLE PROJECTION 	DESIGNED BY: JBOSSEDET	CREATION DATE: 5/8/2014	HYDRA POOLS		
	VOLUME: 3554060.713 Inch ³		DETAILED BY: RSANVICENTE	DETAILED DATE: 1/22/2018			
	COLOR:		LAST REVISED BY: hyeng	LAST REVISED DATE: 1/22/2018	TITLE: LAYOUT, 14' X 31' X 20', TRUE L, LEFT, 6" RADIUS, 6' DEEP, HS110N, LIGHT, 3- INLET, 2- 1084, 600 SERIES		
	HEAT TREAT:		MATERIAL: Water	PART NUMBER: 00017320		SCALE: 1:72	SIZE: A
	FINISH: NA			SHEET: 2 OF 3			
TEXTURE: NA							



ENGINEERING DRAWING NUMBER: 00017320	WEIGHT: 148963.1 lbs	UNLESS OTHERWISE SPECIFIED DIMENSIONS ARE IN INCHES TOLERANCES DECIMALS: X ± .1 XX ± .01 XXX ± .001 XXXX ± .0005 ANGULAR: X ± 0.5 THIRD ANGLE PROJECTION 	DESIGNED BY: RCOLBOCH	CREATION DATE: 4/3/2013	HYDRA POOLS	
	VOLUME: Inch ³		DETAILED BY: RSANVICENTE	DETAILED DATE: 1/22/2018		
	COLOR:		LAST REVISED BY: hyeng	LAST REVISED DATE: 1/22/2018		
	HEAT TREAT:		MATERIAL:		TITLE: LAYOUT, 14' X 31' X 20', TRUE L, LEFT, 6" RADIUS, 6' DEEP, HS110N, LIGHT, 3- INLET, 2- 1084, 600 SERIES	
	FINISH:					
	TEXTURE:					
		PART NUMBER:		SCALE: 1:72	SIZE: A	
		00017320		SHEET: 3 OF 3		